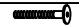

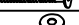
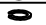







Read this instruction carefully. See hardware and furniture part list for guidance. Be sure all parts are complete, before you assemble. Place all wooden furniture parts on a clean and flat soft surface to prevent from being scratched. Follow the figure to start assembling.

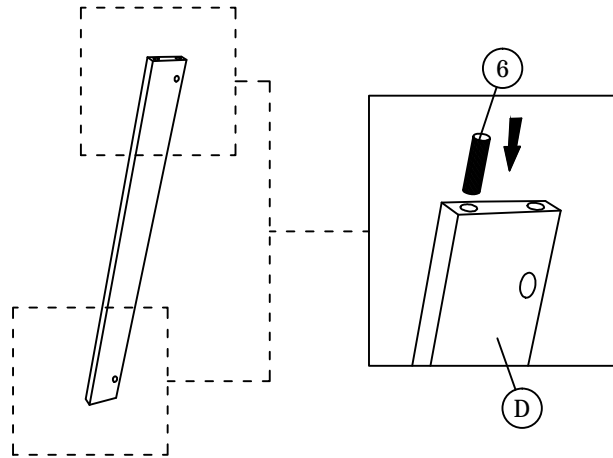
CAUTIONS : 1. Do not FULLY - TIGHTEN the nut or nut bolt until all nut or bolt is ready assembled.
 2. Do not OVER - TIGHTEN the nut or bolt to avoid causing damages to the thread.
 3. Keep all hardware parts out of reach of children.

NOTE : THE LIST AND QUANTITY SHOWN ARE FOR 1 UNIT ASSEMBLY.

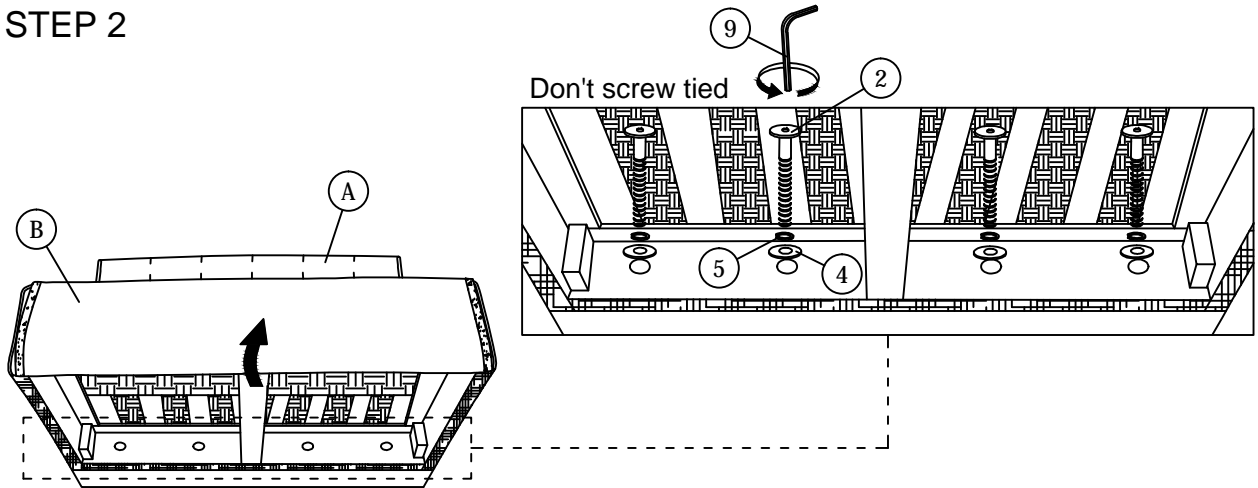
| PART LIST | | |
|-----------|-------------|-------|
| ITEM | DESCRIPTION | QTY |
| A | BACK | 1 PC |
| B | SEAT | 1 PC |
| C | ARM | 2 PCS |
| D | FRONT RAIL | 1 PC |

| PART LIST | | |
|-----------|---|------|
| ITEM | DESCRIPTION | QTY |
| 1 | JCBB Bolt M8 x 40mm  | 2pcs |
| 2 | JCBB Bolt M8 x 50mm  | 4pcs |
| 3 | JCBB Bolt M8 x 60mm  | 6pcs |
| 4 | M8 Flat Washer  | 6pcs |
| 5 | M8 Spring Washer  | 6pcs |
| 6 | Wood Dowel M10 x 40mm  | 2pcs |
| 7 | M8 Bran Nut  | 2pcs |
| 8 | Wood Button Dia 18.5mm  | 6pcs |
| 9 | M5 Allen Key (Ball Shape)  | 1pc |

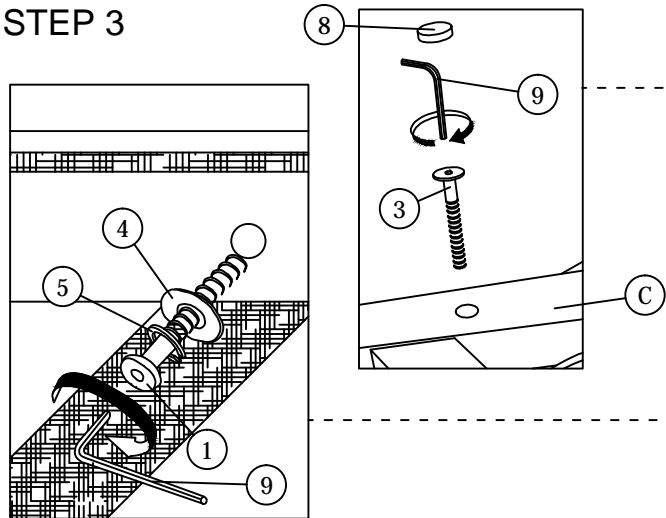
STEP 1



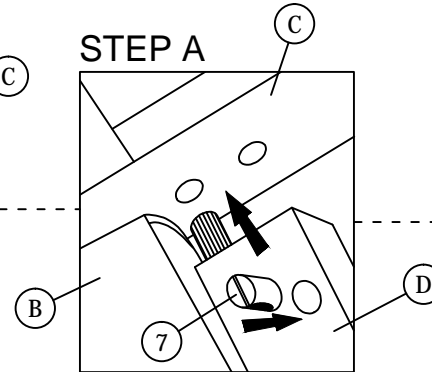
STEP 2



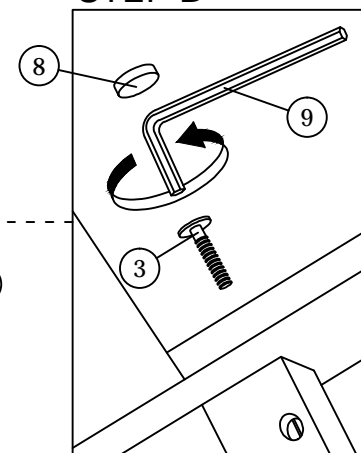
STEP 3



STEP A

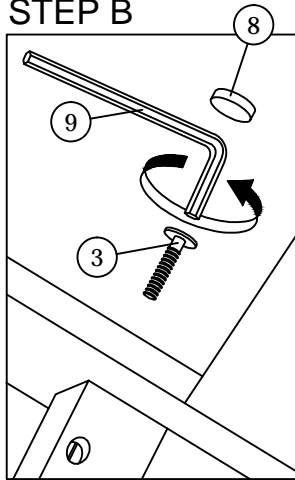


STEP B

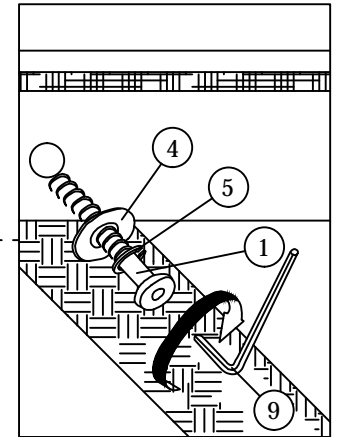
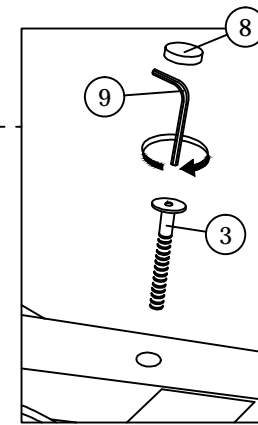
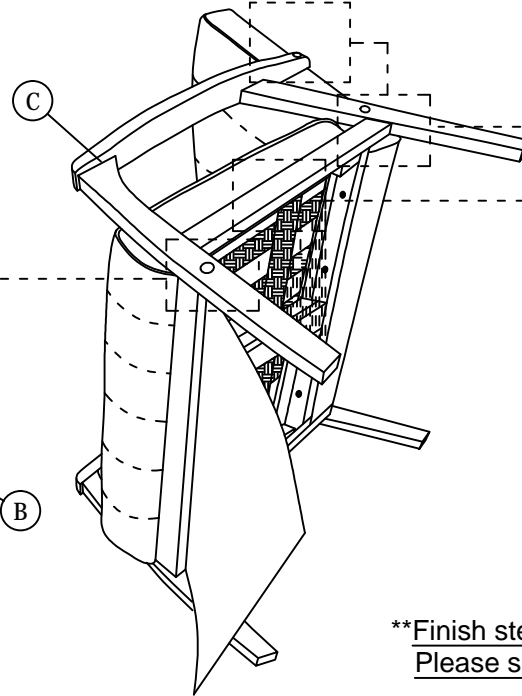
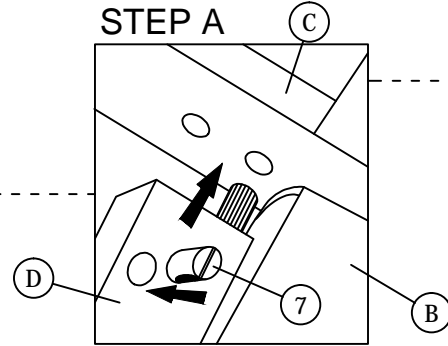


STEP 4

STEP B



STEP A



****Finish step 4,
Please screw tied the step 2 bolt.**

STEP 5

