

Read this instruction carefully. See hardware and furniture part list for guidance. Be sure all parts are complete, before you assemble. Place all wooden furniture parts on a clean and flat soft surface to prevent from being scratched. Follow the figure to start assembling.

- CAUTIONS :**
1. Do not FULLY - TIGHTEN the nut or nut bolt until all nut or bolt is ready assembled.
 2. Do not OVER - TIGHTEN the nut or bolt to avoid causing damages to the thread.
 3. Keep all hardware parts out of reach of children.

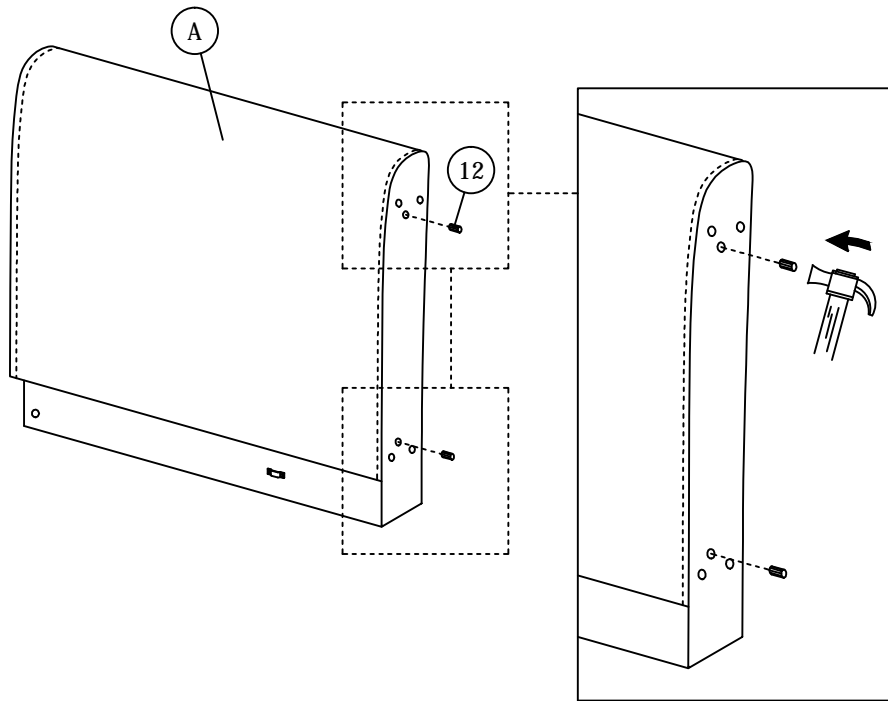
NOTE : THE LIST AND QUANTITY SHOWN ARE FOR 1 UNIT ASSEMBLY.

Tool needed : Screwdriver & Hammer (not provider).

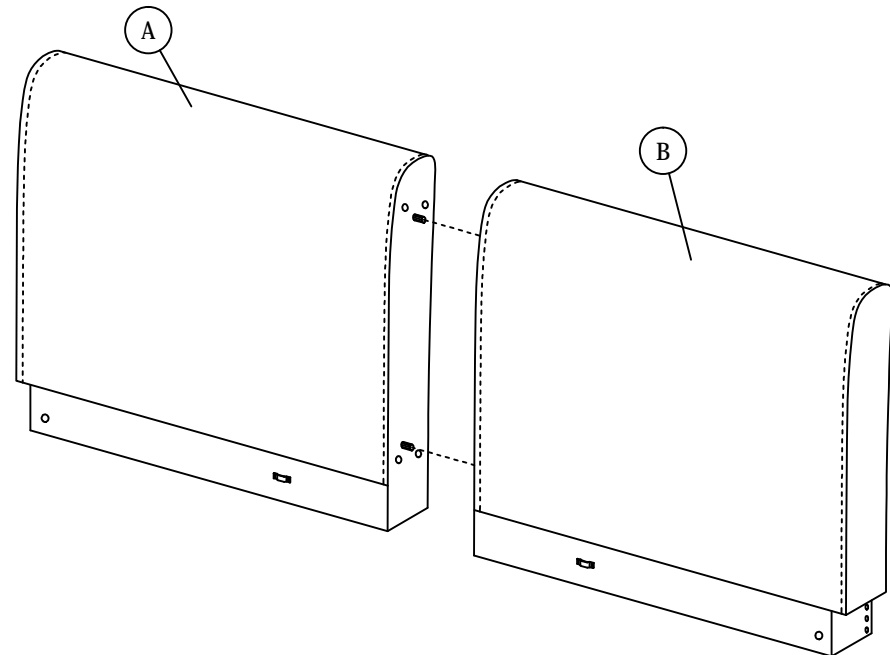
PART LIST		
ITEM	DESCRIPTION	QTY
A	HEADBOARD (LEFT)	1 PC
B	HEADBOARD (RIGHT)	1 PC
C	FOOTBOARD	1 PC
D	SIDE RAIL (L&R)	2 PCS
E	CENTER RAIL	2 PCS
F	CENTER SUPPORT LEG	6 PCS
G	LEG	4 PCS
H	BED SLAT	1 SET
I	SIDE RAIL SUPPORT	2 PCS

HARDWARE LIST		
ITEM	DESCRIPTION	QTY
1	JCBC BOLT M6 x 20mm	4 PCS
2	JCBC BOLT M6 x 30mm	2 PCS
3	JCBC BOLT M6 x 45mm	8 PCS
4	JCBB BOLT M8 x 40mm	4 PCS
5	JCBB BOLT M8 x 50mm	16 PCS
6	M6 SPRING WASHER	6 PCS
7	M6 FLAT WASHER	6 PCS
8	M8 SPRING WASHER	20 PCS
9	M8 FLAT WASHER	20 PCS
10	WOOD SCREW M4 x 25mm	12 PCS
11	WOOD SCREW M4 x 38mm	12 PCS
12	WOOD DOWEL M10 x 30mm	10 PCS
13	M4 ALLEN KEY (BALL SHAPE)	1 PC
14	M5 ALLEN KEY (BALL SHAPE)	1 PC
15	VMB 3062 L Bracket	2 PCS
16	VMB 3069	1 PC

STEP 1

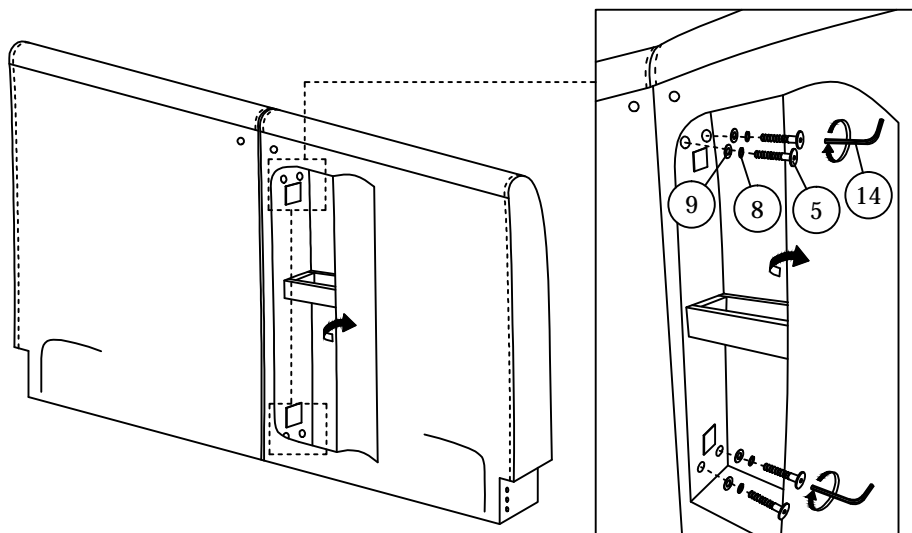


STEP 2

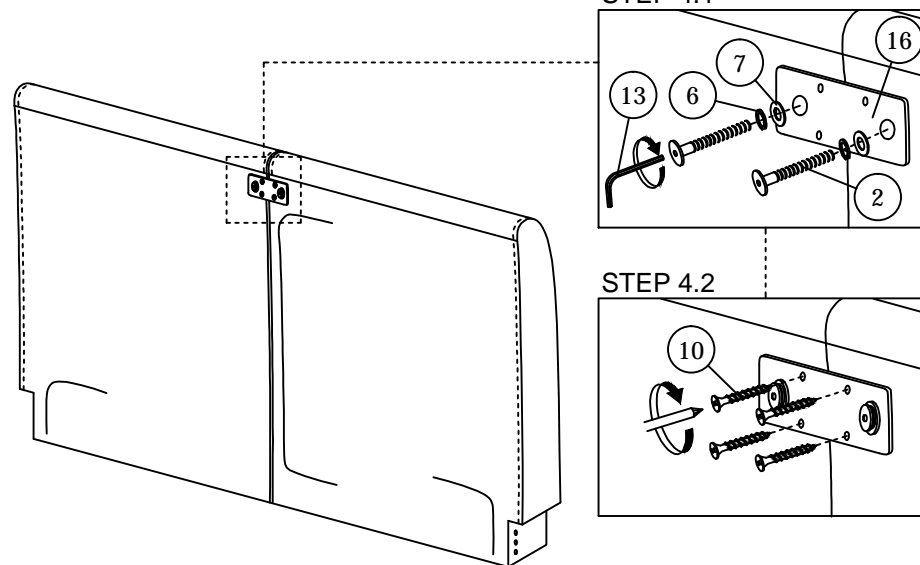


ASSEMBLY INSTRUCTIONS

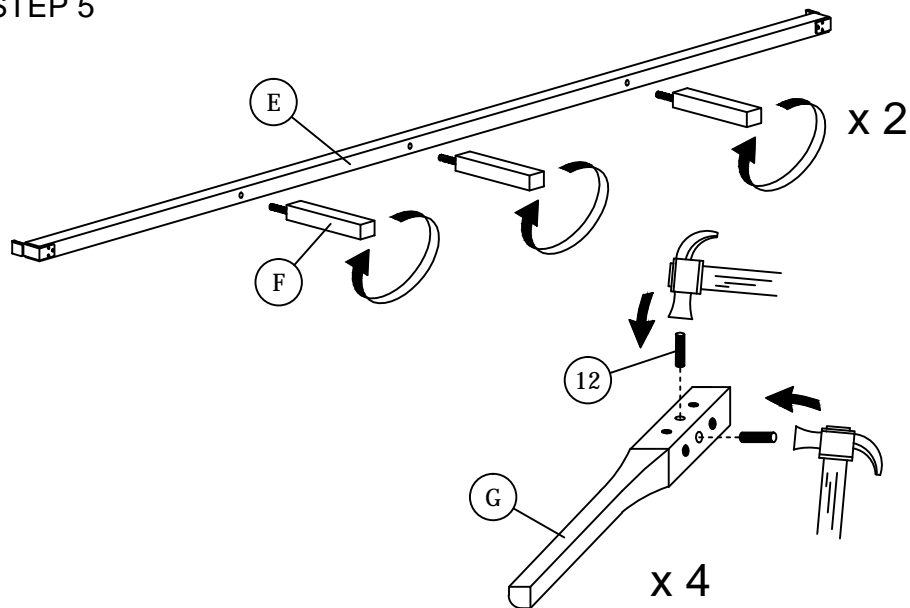
STEP 3



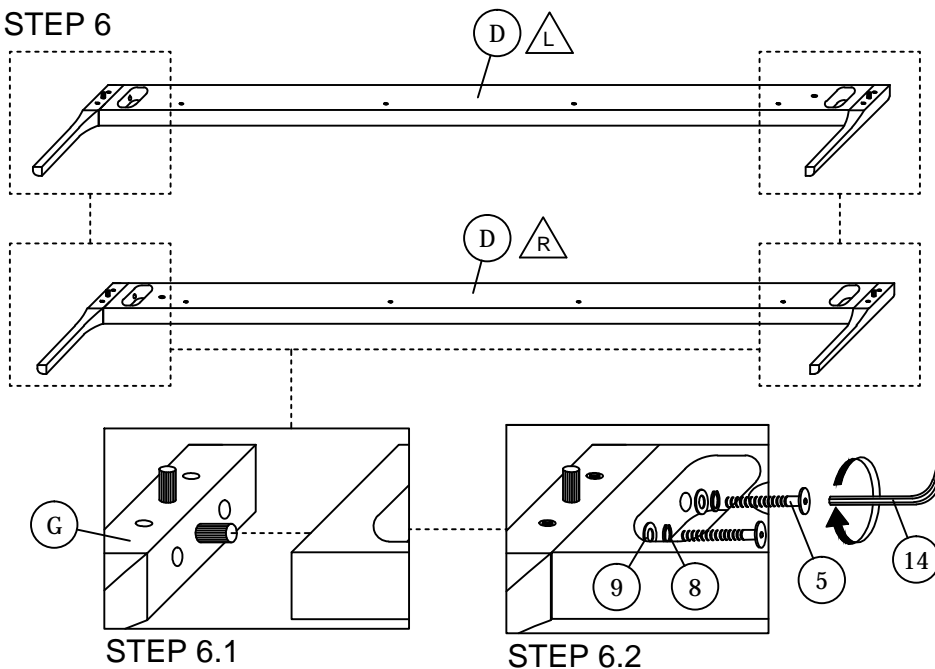
STEP 4



STEP 5

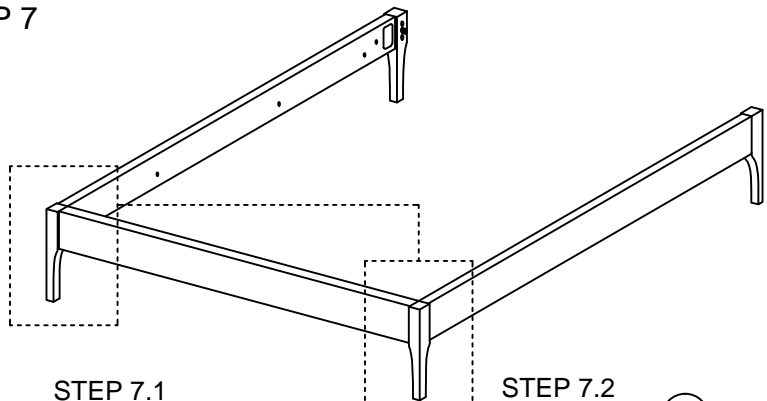


STEP 6

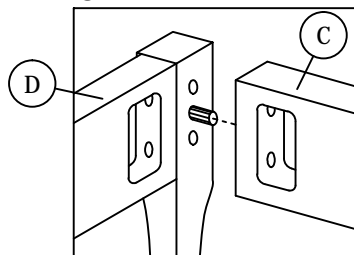


ASSEMBLY INSTRUCTIONS

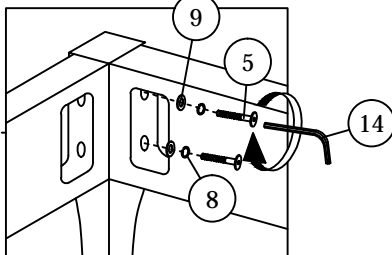
STEP 7



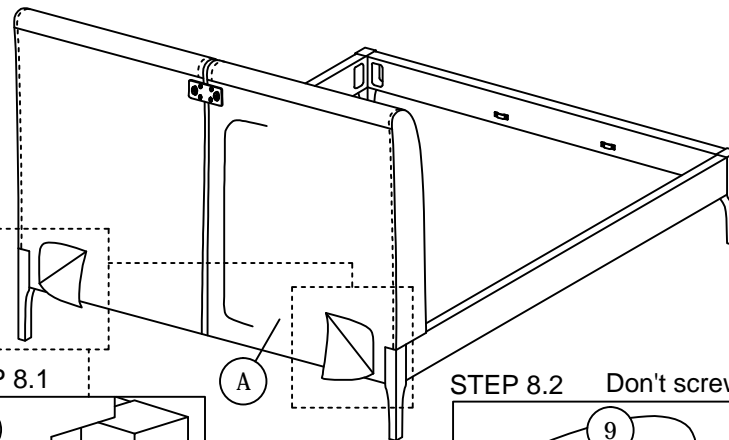
STEP 7.1



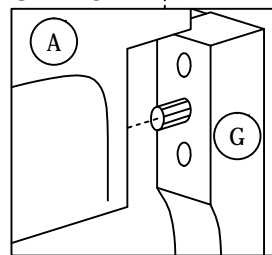
STEP 7.2



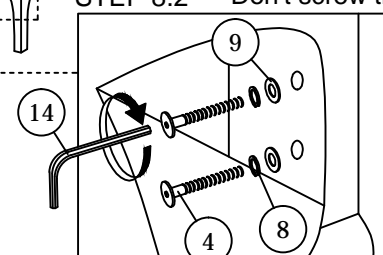
STEP 8



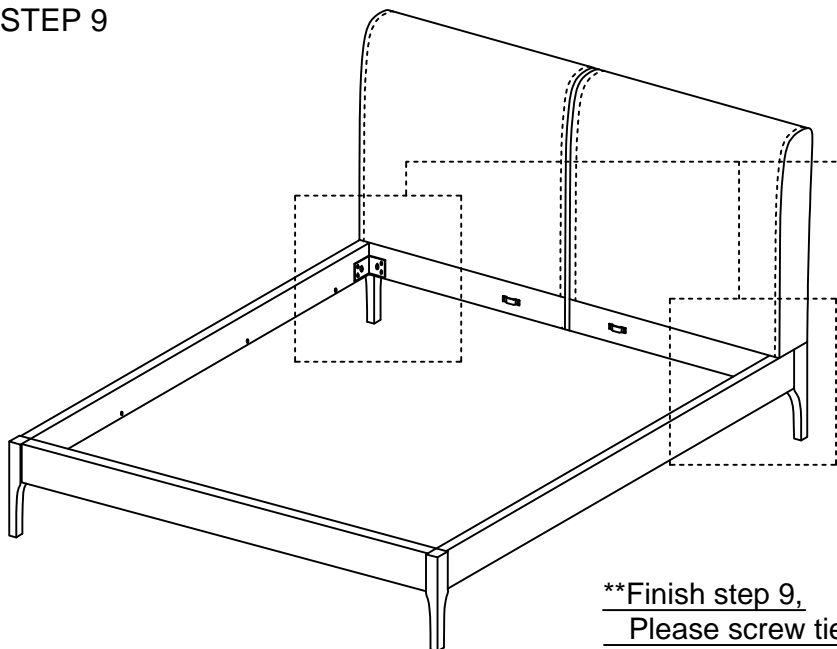
STEP 8.1



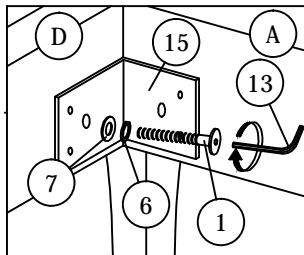
STEP 8.2 Don't screw tied



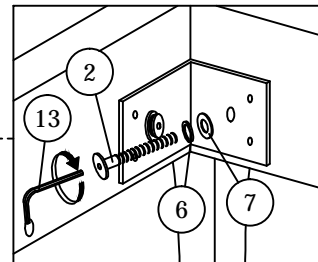
STEP 9



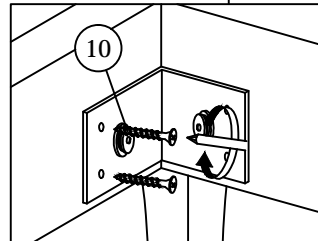
STEP 9.1



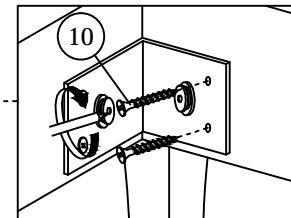
STEP 9.2



STEP 9.3



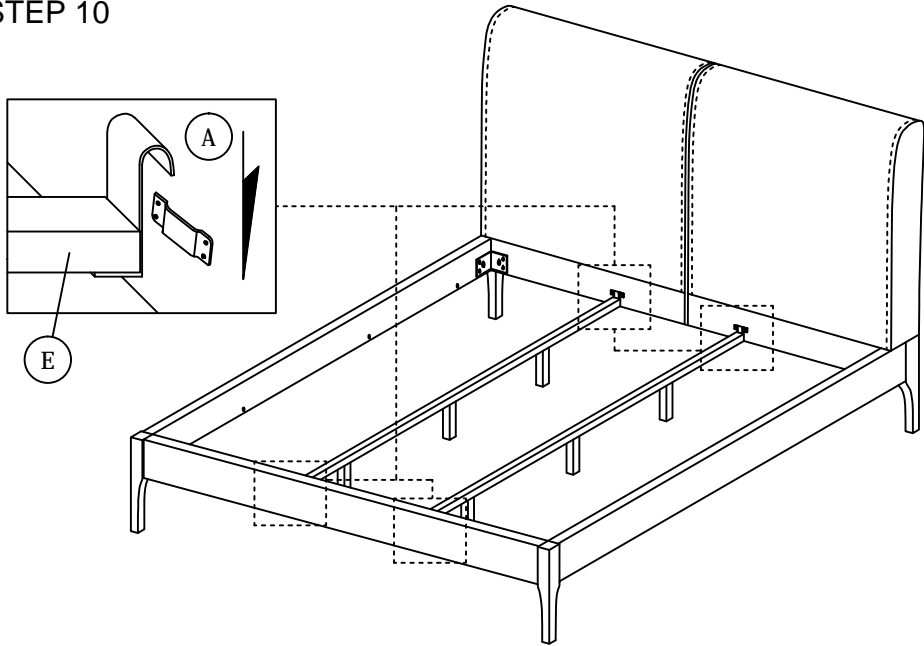
STEP 9.4



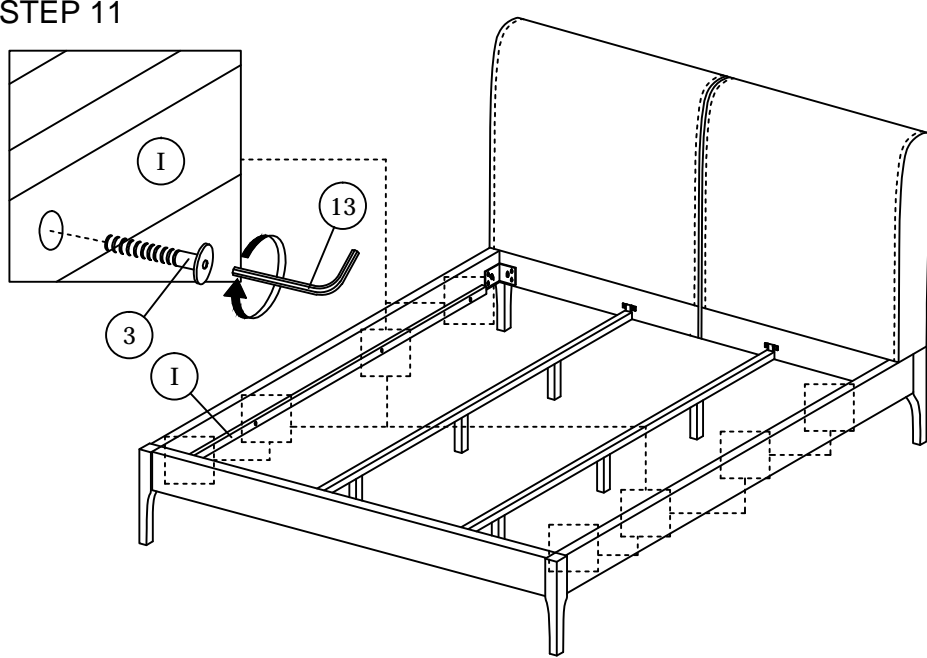
****Finish step 9,
Please screw tied the step 8 bolt.**

ASSEMBLY INSTRUCTIONS

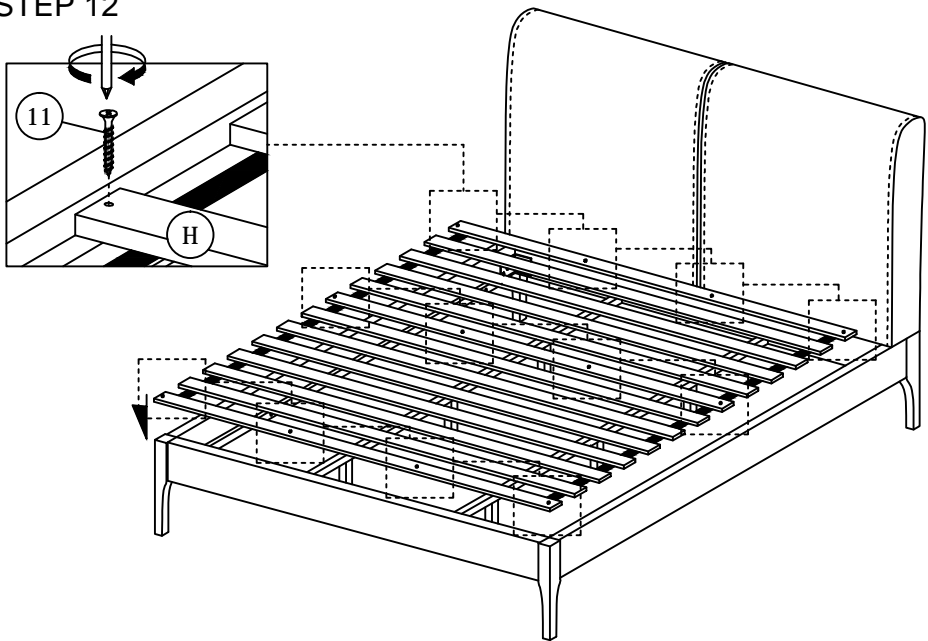
STEP 10



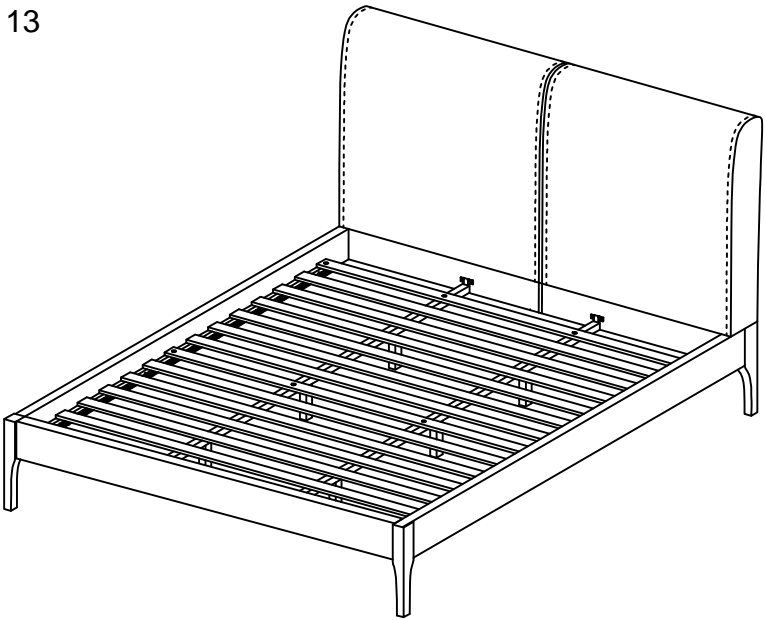
STEP 11



STEP 12



STEP 13



* When moving the bed position, the center support legs must be adjust to be straight to avoid any broken problem.