

Read this instruction carefully. See hardware and furniture part list for guidance. Be sure all parts are complete, before you assemble. Place all wooden furniture parts on a clean and flat soft surface to prevent from being scratched. Follow the figure to start assembling.

**CAUTIONS :** 1. Do not FULLY - TIGHTEN the nut or nut bolt until all nut or bolt is ready assembled.  
 2. Do not OVER - TIGHTEN the nut or bolt to avoid causing damages to the thread.  
 3. Keep all hardware parts out of reach of children.

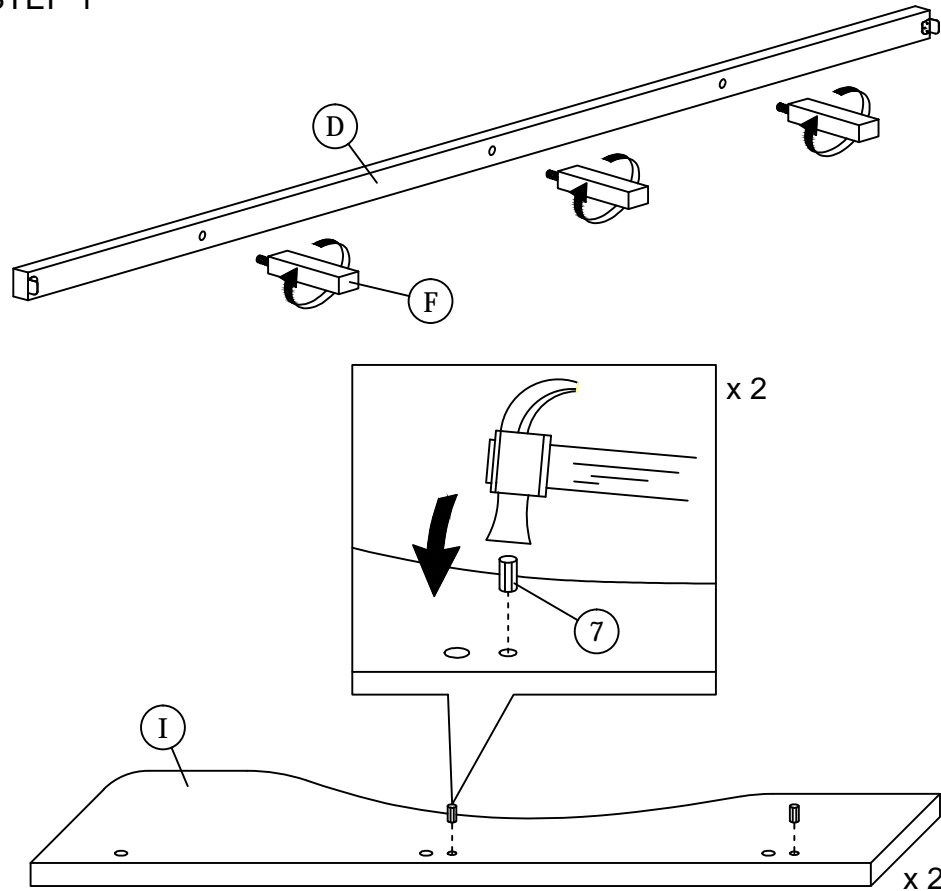
**NOTE :** THE LIST AND QUANTITY SHOWN ARE FOR 1 UNIT ASSEMBLY.

Tool needed : Screwdriver & Hammer (not provider).

| PART LIST |                       |        |
|-----------|-----------------------|--------|
| ITEM      | DESCRIPTION           | QTY    |
| A         | HEADBOARD             | 1 PC   |
| B         | FOOTBOARD             | 1 PC   |
| C         | SIDE RAIL             | 2 PCS  |
| D         | CENTER RAIL           | 1 PC   |
| E         | CENTER SUPPORT        | 2 PCS  |
| F         | CENTER SUPPORT LEG    | 3 PCS  |
| G         | BED SLAT              | 26 PCS |
| H         | BED LEG               | 4 PCS  |
| I         | HEADBOARD WINGS (L&R) | 2 PCS  |
| J         | HEADBOARD SUPPORT LEG | 2 PCS  |

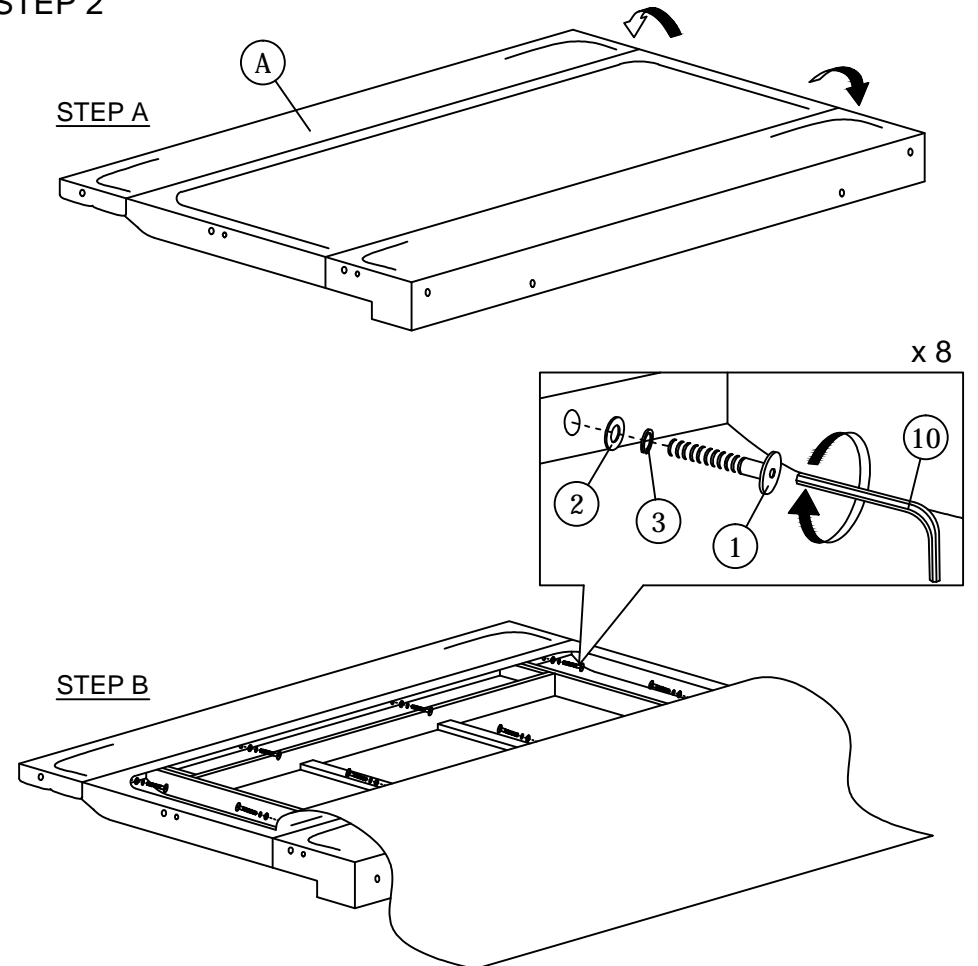
| HARDWARE LIST |                           |        |
|---------------|---------------------------|--------|
| ITEM          | DESCRIPTION               | QTY    |
| 1             | JCBB BOLT M8 x 45mm       | 14 PCS |
| 2             | M8 FLAT WASHER            | 14 PCS |
| 3             | M8 SPRING WASHER          | 14 PCS |
| 4             | PVC BLACK WASHER          | 6 PCS  |
| 5             | BED SLAT SIDE FITTER      | 26 PCS |
| 6             | BED SLAT CENTER FITTER    | 13 PCS |
| 7             | WOOD DOWEL M10 x 30mm     | 4 PCS  |
| 8             | WOOD SCREW M3.5 x 16mm    | 8 PCS  |
| 9             | WOOD SCREW M4 x 20mm      | 2 PCS  |
| 10            | M5 ALLEN KEY (BALL SHAPE) | 1 PC   |

## STEP 1



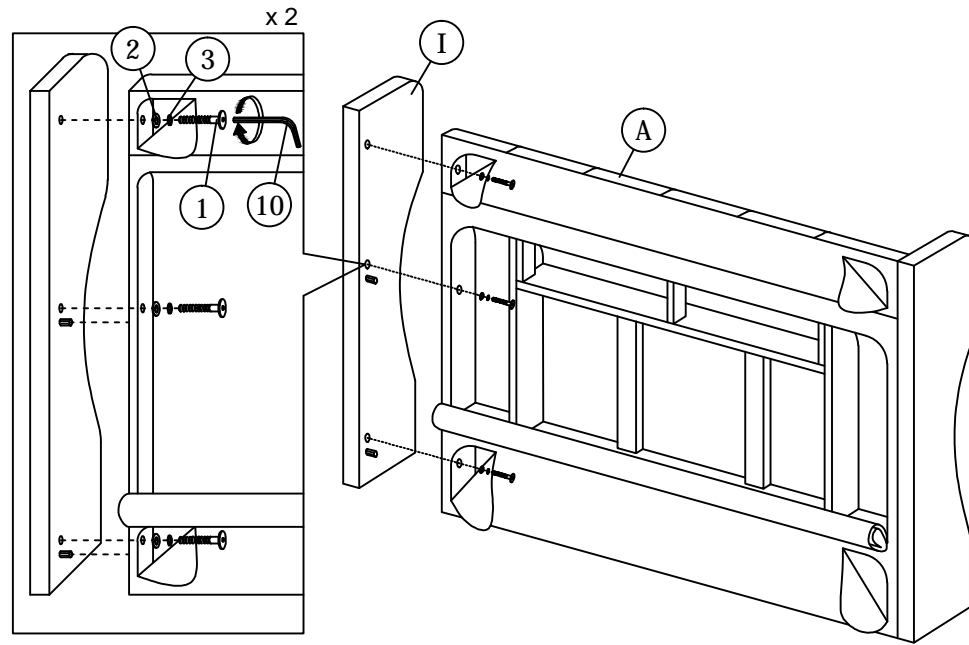
**\*\*Open the zip at the headboard backing and take out headboard Wings.**

## STEP 2

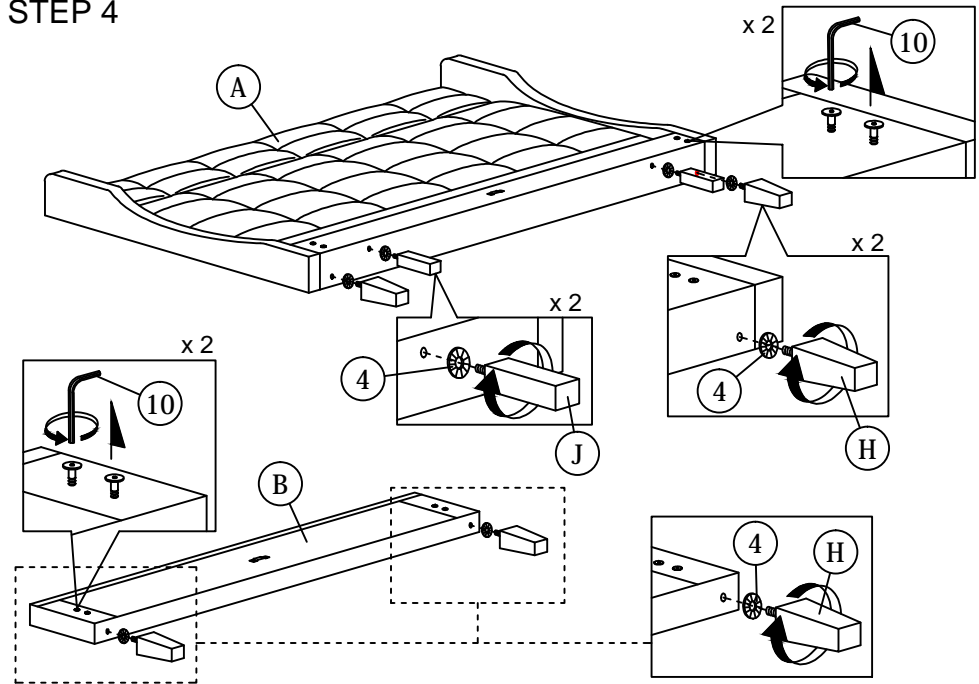


# ASSEMBLY INSTRUCTIONS

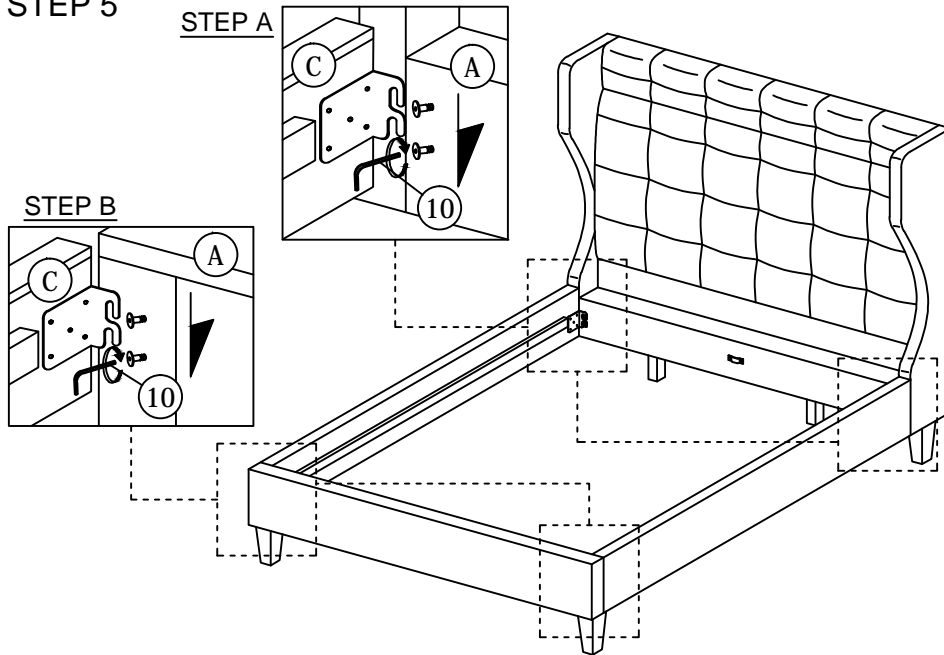
## STEP 3



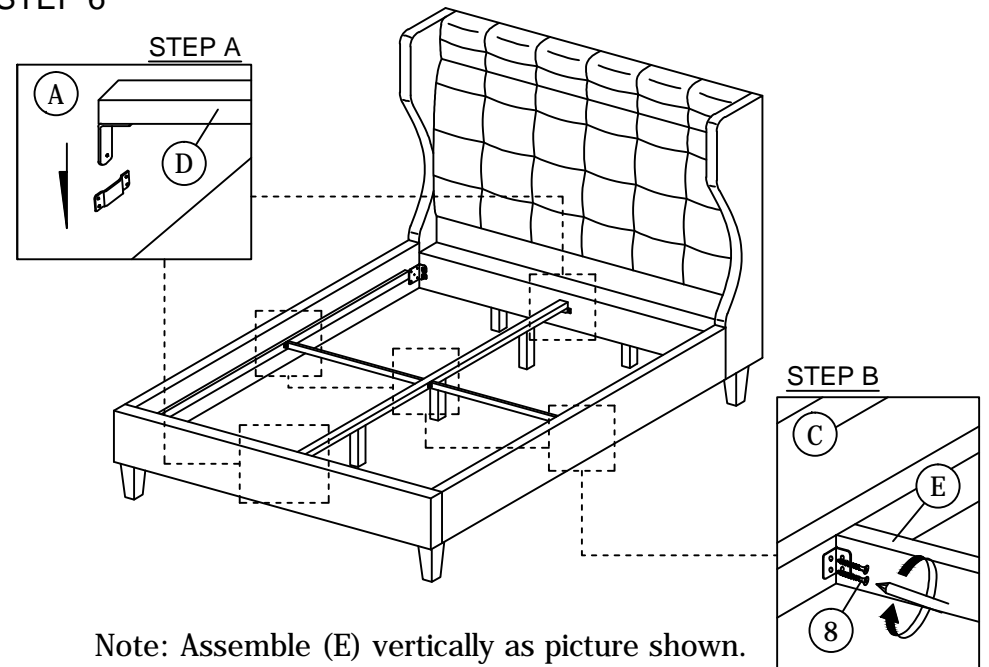
## STEP 4



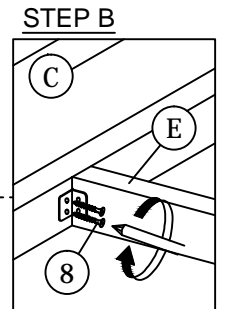
## STEP 5



## STEP 6

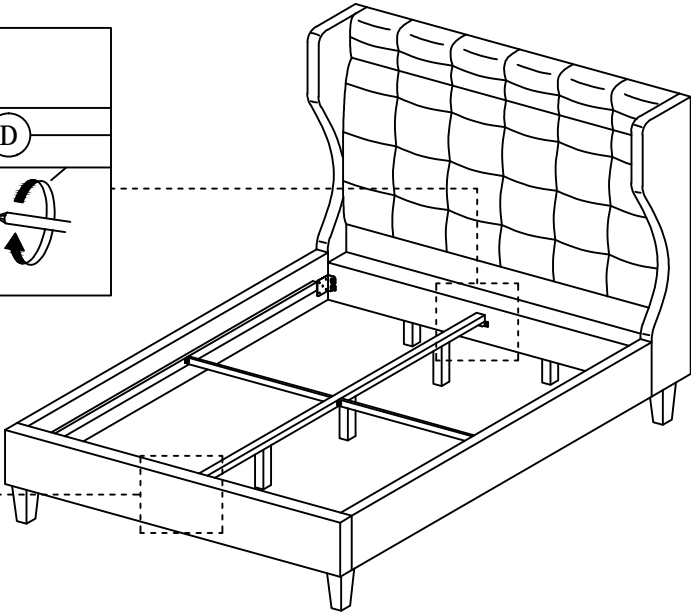
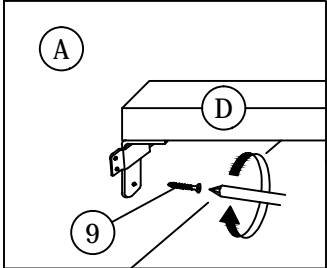


Note: Assemble (E) vertically as picture shown.

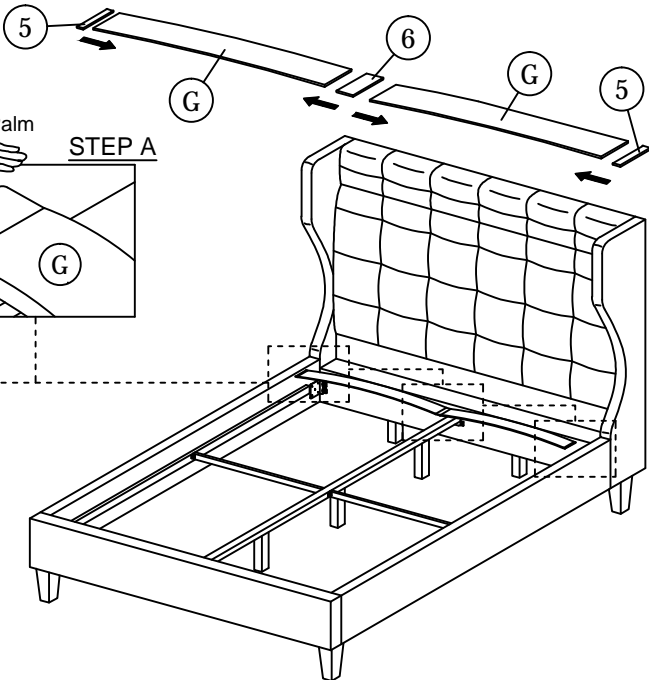
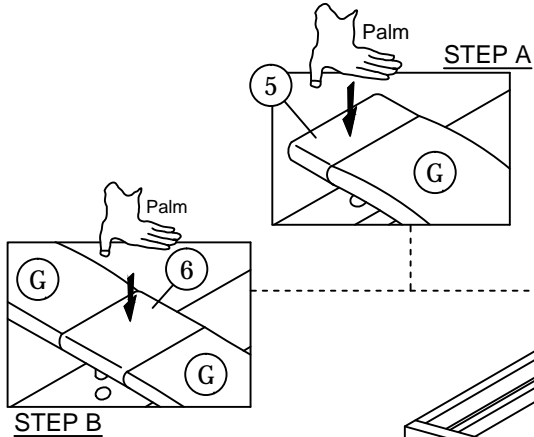


# ASSEMBLY INSTRUCTIONS

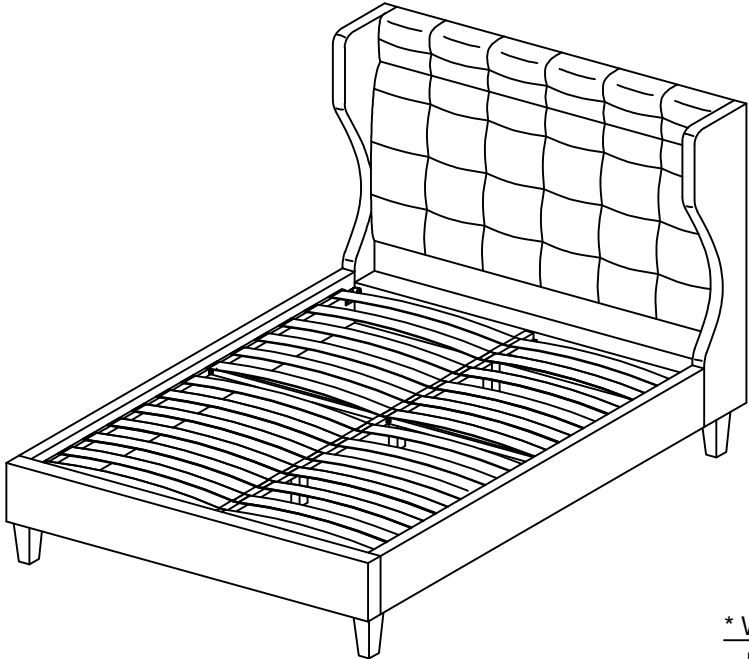
## STEP 7



## STEP 8



## STEP 9



\* When moving the bed position, the center support legs must be adjust to be straight to avoid any broken problem.