

Read this instruction carefully. See hardware and furniture part list for guidance. Be sure all parts are complete, before you assemble. Place all wooden furniture parts on a clean and flat soft surface to prevent from being scratched. Follow the figure to start assembling.

CAUTIONS : 1. Do not FULLY - TIGHTEN the nut or nut bolt until all nut or bolt is ready assembled.
 2. Do not OVER - TIGHTEN the nut or bolt to avoid causing damages to the thread.
 3. Keep all hardware parts out of reach of children.

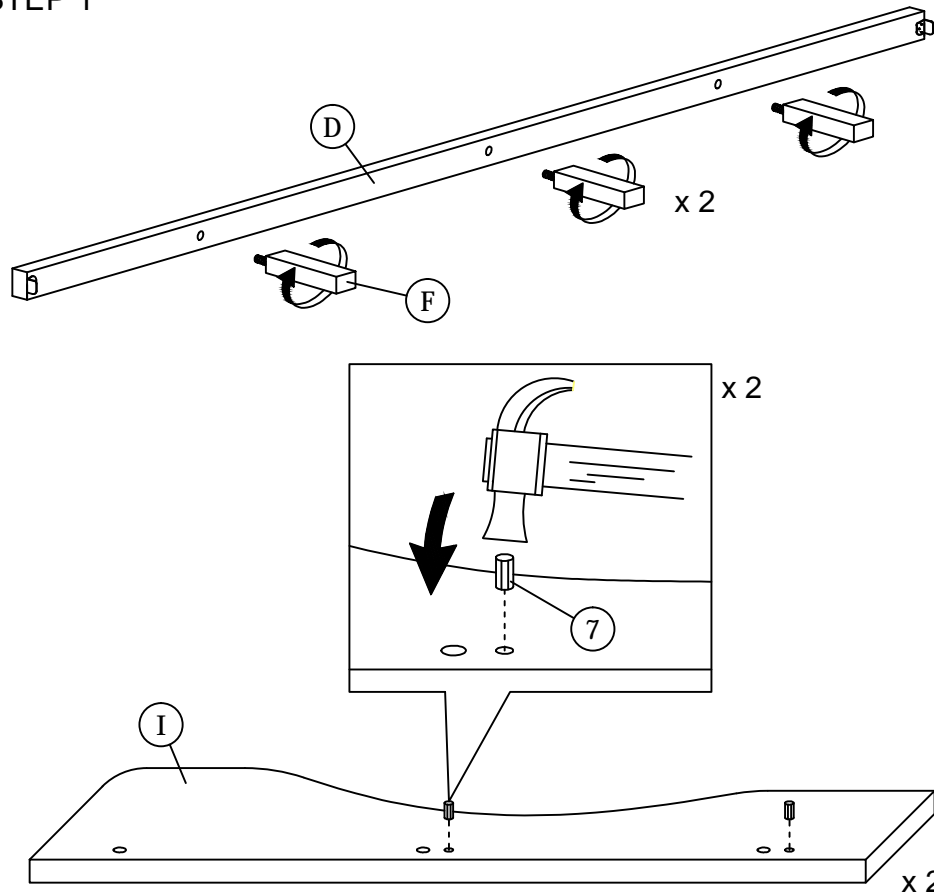
NOTE : THE LIST AND QUANTITY SHOWN ARE FOR 1 UNIT ASSEMBLY.

Tool needed : Screwdriver & Hammer (not provider).

PART LIST		
ITEM	DESCRIPTION	QTY
A	HEADBOARD	1 PC
B	FOOTBOARD	1 PC
C	SIDE RAIL	2 PCS
D	CENTER RAIL	2 PCS
E	CENTER SUPPORT	3 PCS
F	CENTER SUPPORT LEG	6 PCS
G	BED SLAT	39 PCS
H	BED LEG	4 PCS
I	HEADBOARD WINGS (L&R)	2 PCS
J	HEADBOARD SUPPORT LEG	2 PCS

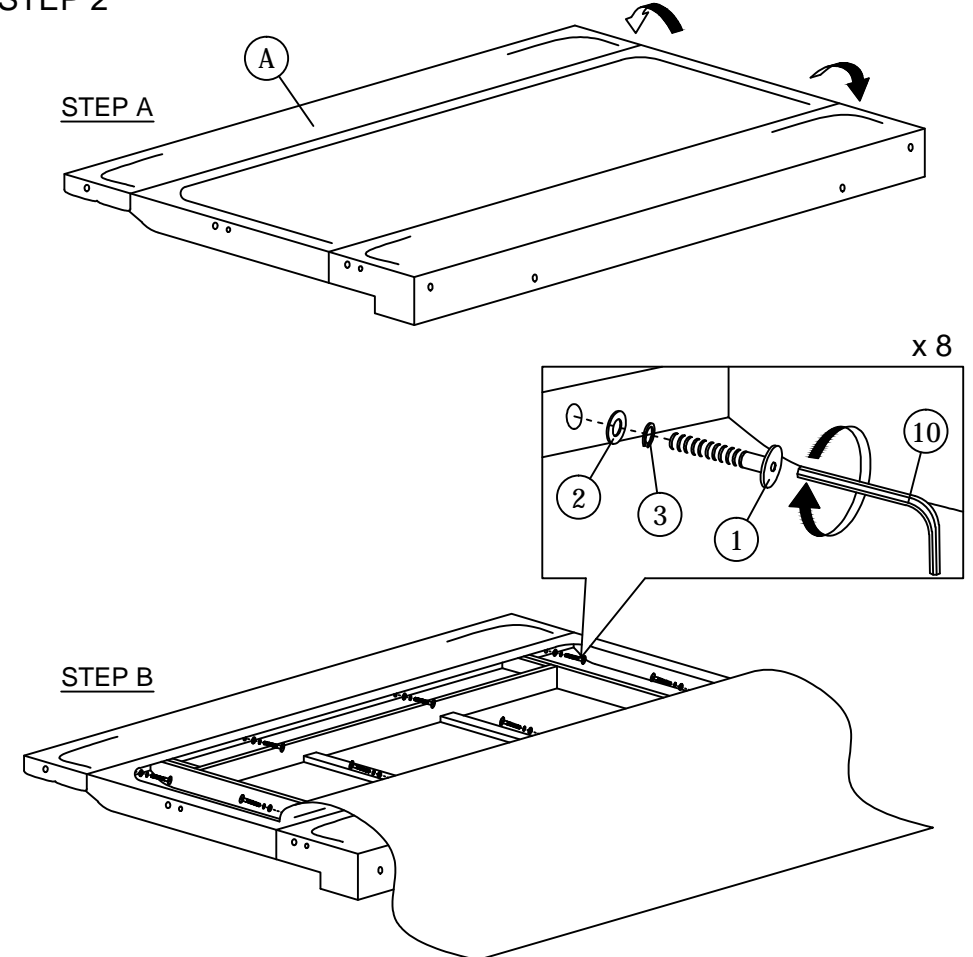
HARDWARE LIST		
ITEM	DESCRIPTION	QTY
1	JCBB BOLT M8 x 45mm	14 PCS
2	M8 FLAT WASHER	14 PCS
3	M8 SPRING WASHER	14 PCS
4	PVC BLACK WASHER	6 PCS
5	BED SLAT SIDE FITTER	26 PCS
6	BED SLAT CENTER FITTER	26 PCS
7	WOOD DOWEL M10 x 30mm	4 PCS
8	WOOD SCREW M3.5 x 16mm	12 PCS
9	WOOD SCREW M4 x 20mm	4 PCS
10	M5 ALLEN KEY (BALL SHAPE)	1 PC

STEP 1



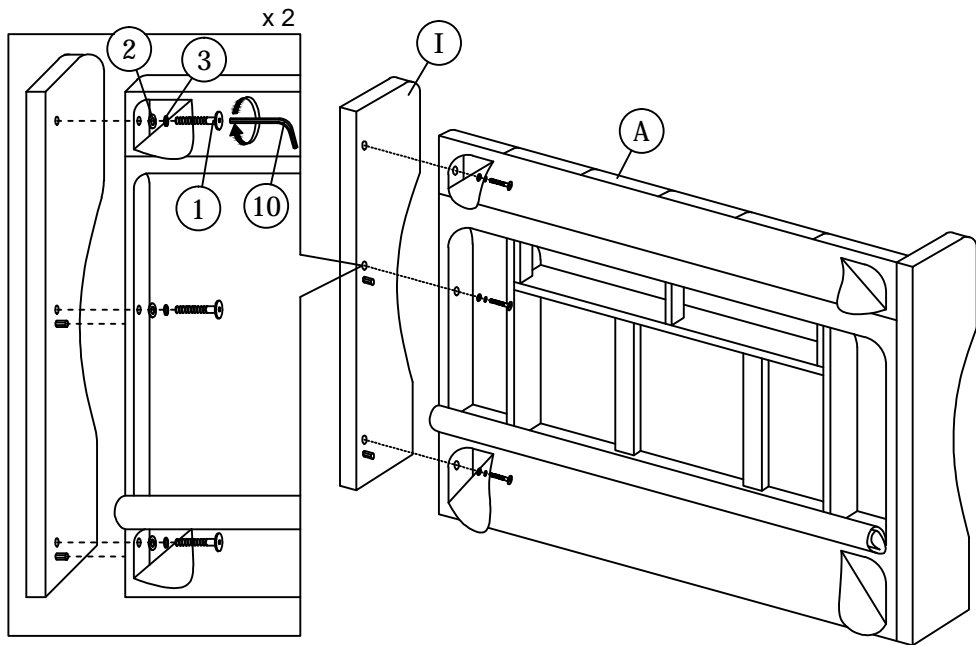
****Open the zip at the headboard backing and take out headboard Wings.**

STEP 2

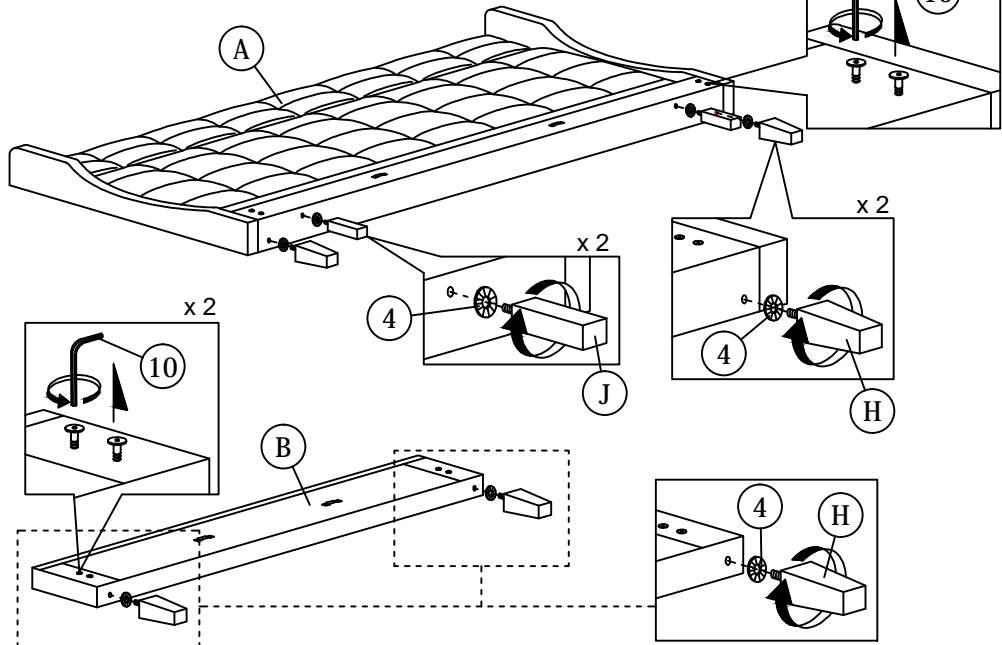


ASSEMBLY INSTRUCTIONS

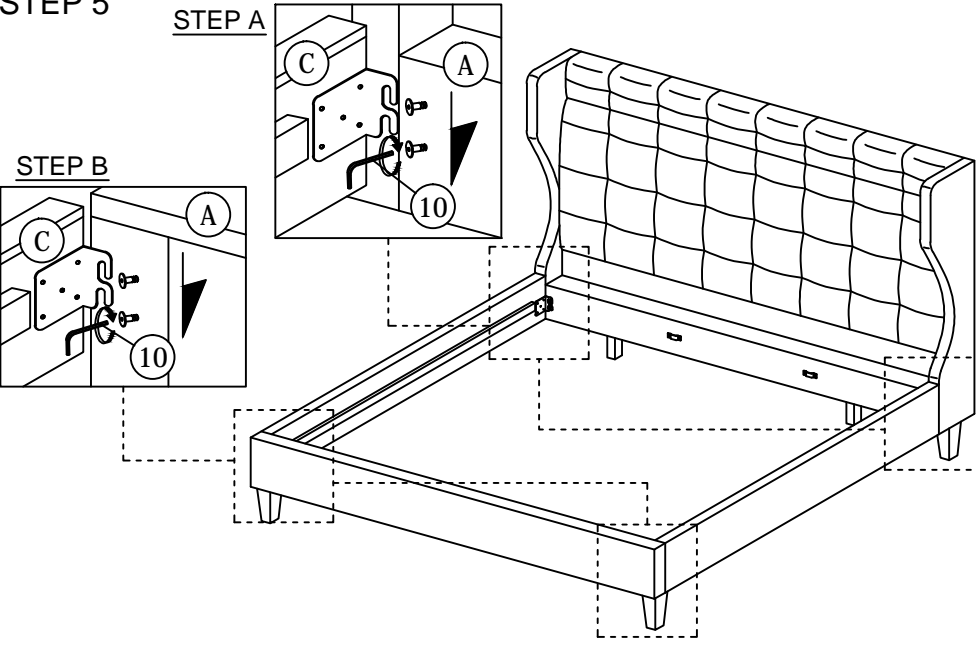
STEP 3



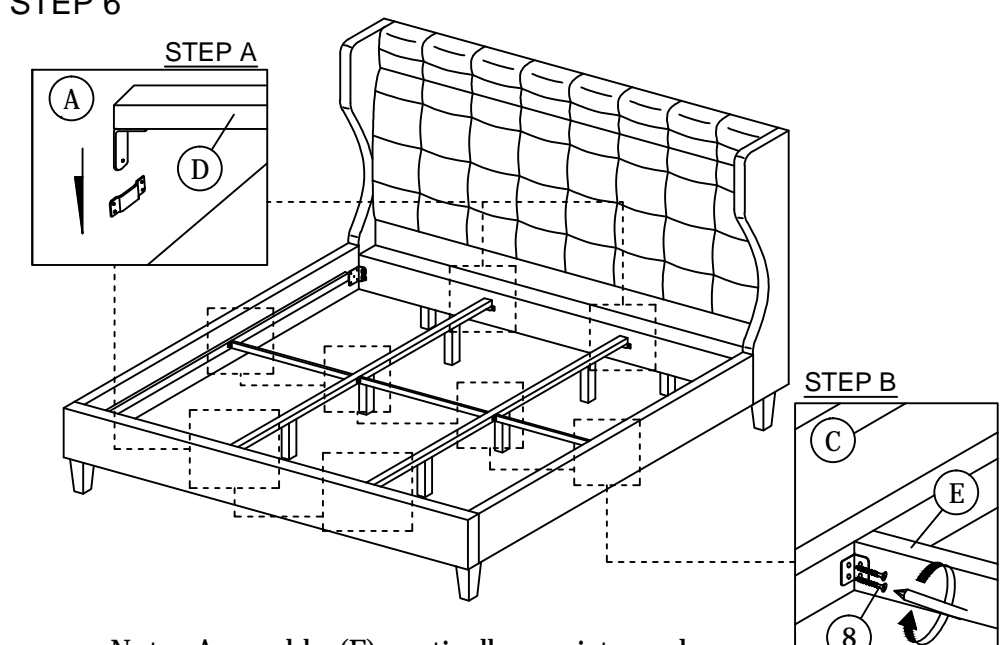
STEP 4



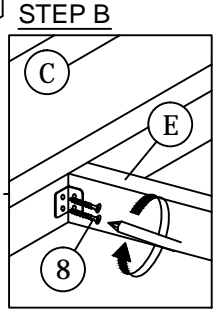
STEP 5



STEP 6

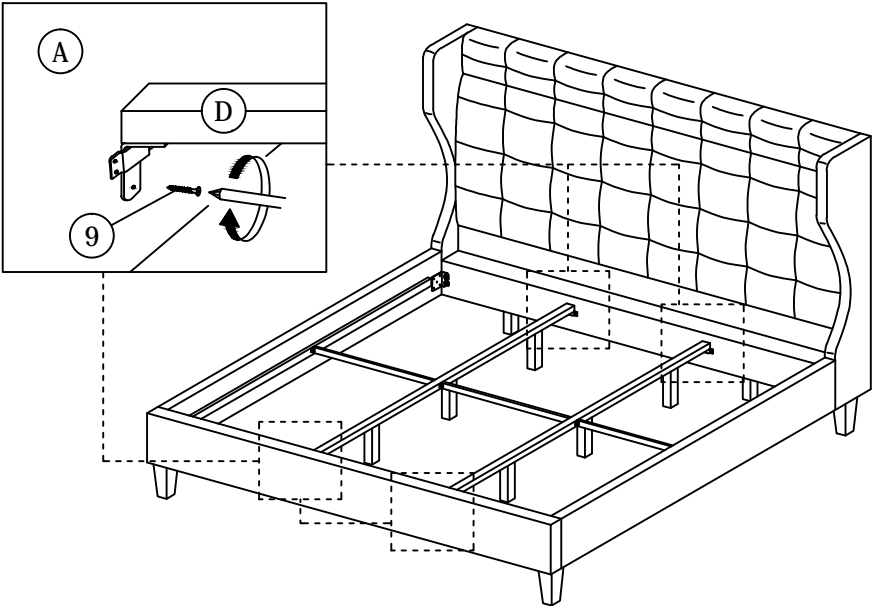


Note: Assemble (E) vertically as picture shown.

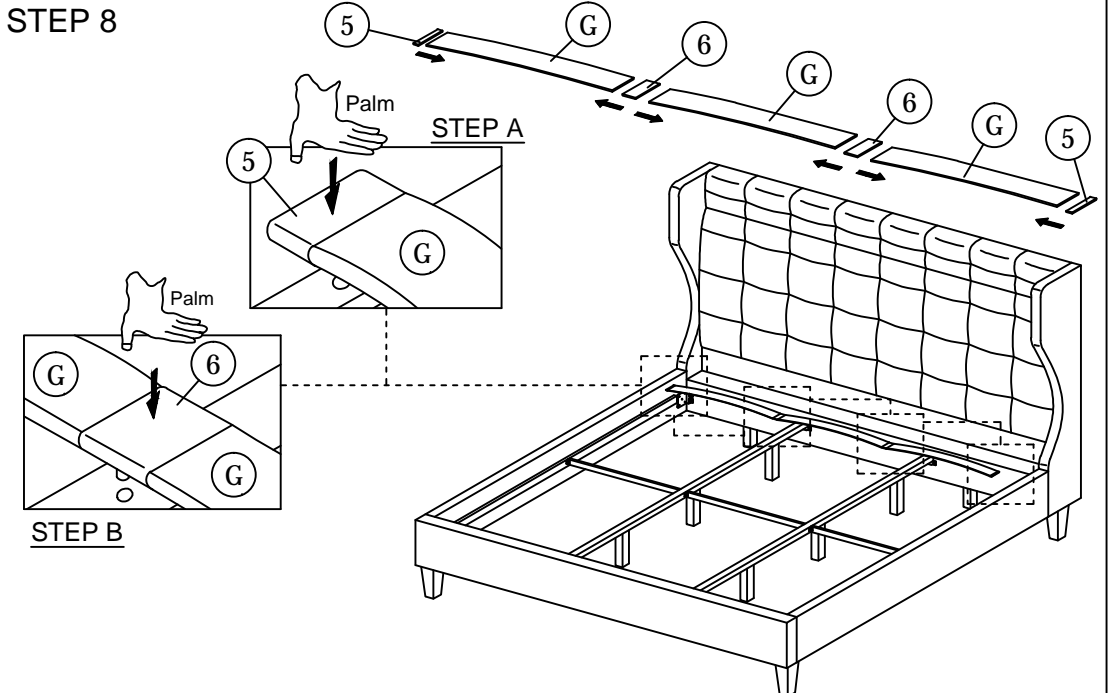


ASSEMBLY INSTRUCTIONS

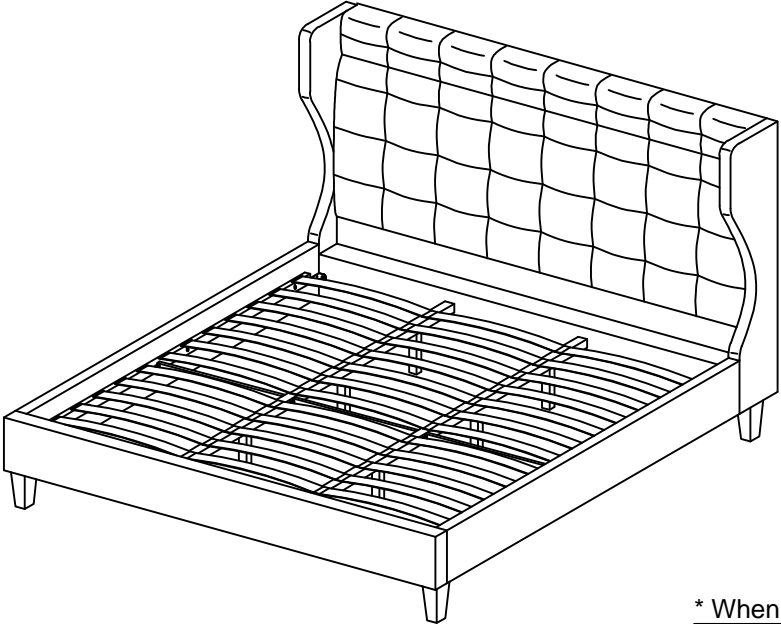
STEP 7



STEP 8



STEP 9



* When moving the bed position, the center support legs must be adjust to be straight to avoid any broken problem.