

Read this instruction carefully. See hardware and furniture part list for guidance. Be sure all parts are complete, before you assemble. Place all wooden furniture parts on a clean and flat soft surface to prevent from being scratched. Follow the figure to start assembling.

CAUTIONS : 1. Do not FULLY - TIGHTEN the nut or nut bolt until all nut or bolt is ready assembled.
2. Do not OVER - TIGHTEN the nut or bolt to avoid causing damages to the thread.
3. Keep all hardware parts out of reach of children.

NOTE : THE LIST AND QUANTITY SHOWN ARE FOR 1 UNIT ASSEMBLY.

Tool needed : Screwdriver (not provider).

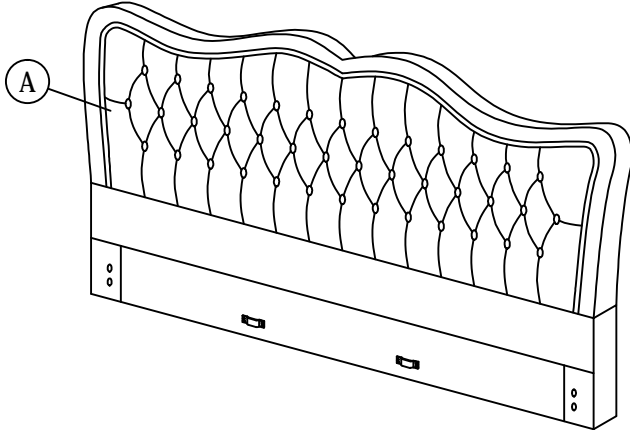
PART LIST		
ITEM	DESCRIPTION	QTY
A	HEADBOARD	1 PC
B	FOOTBOARD	1 PC
C	SIDE RAIL	2 PCS
D	CENTER RAIL	2 PCS
E	CENTER SUPPORT	3 PCS
F	CENTER SUPPORT LEG	6 PCS
G	BED SLAT	39 PCS
H	BED LEG	4 PCS

HARDWARE LIST		
ITEM	DESCRIPTION	QTY
1	JCBB BOLT M8 x 50mm	4 PCS
2	JCBB BOLT M8 x 80mm	16 PCS
3	M8 FLAT WASHER	20 PCS
4	M8 SPRING WASHER	20 PCS
5	WOOD SCREW M3.5 x 16mm	12 PCS
6	WOOD SCREW M4 x 20mm	4 PCS
7	BED SLAT SIDE FITTER	26 PCS
8	BED SLAT CENTER FITTER	26 PCS
9	M5 ALLEN KEY (BALL SHAPE)	1 PC

STEP 1

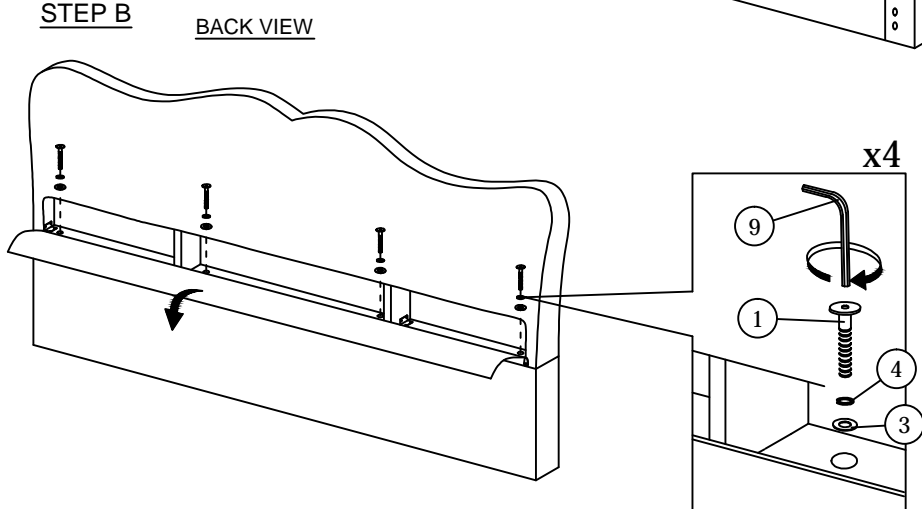
STEP A

FRONT VIEW

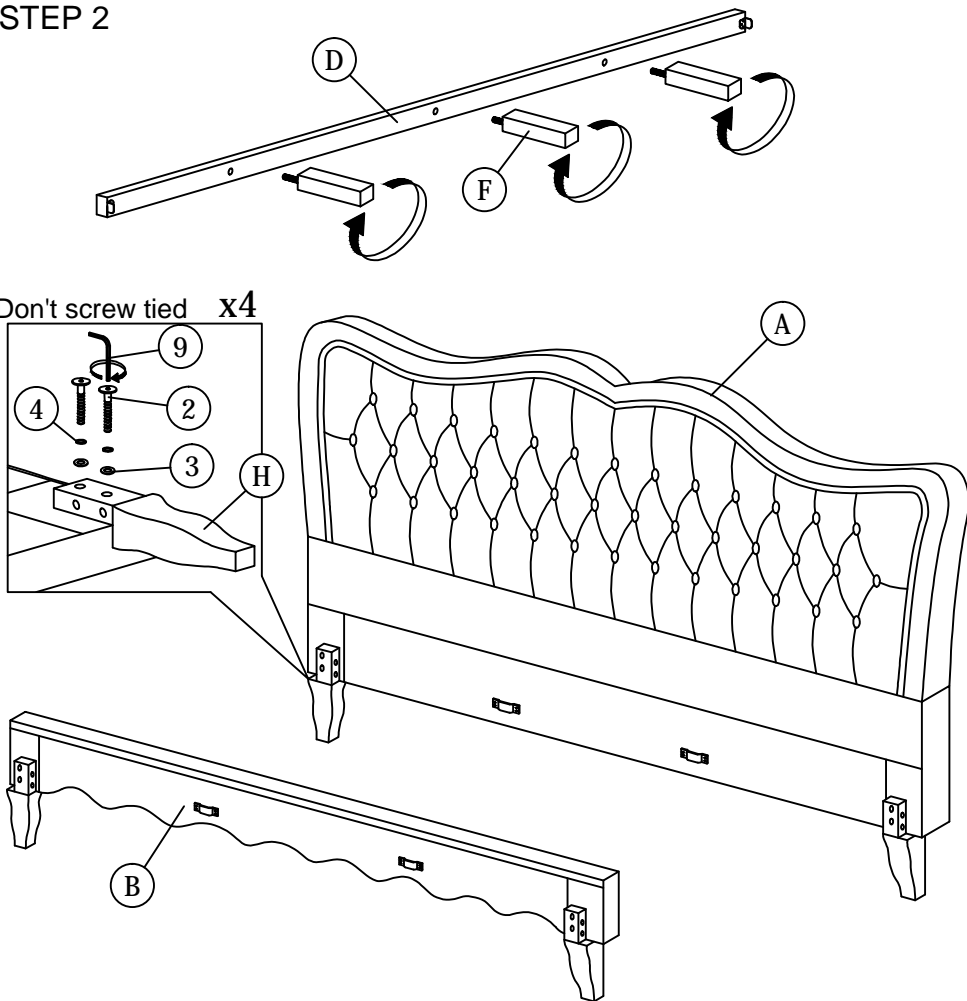


STEP B

BACK VIEW



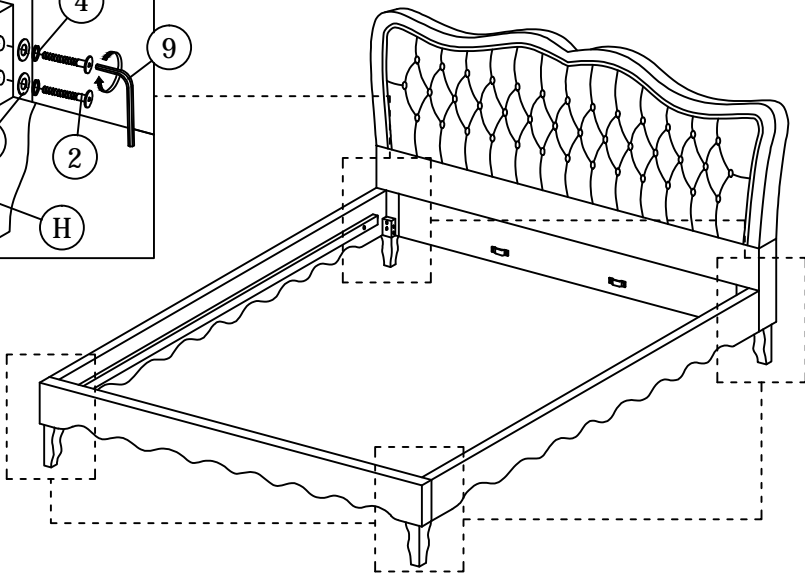
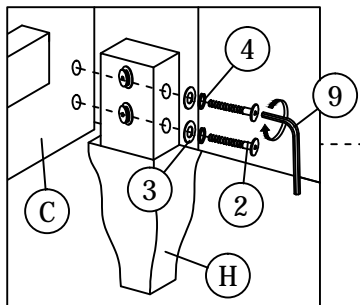
STEP 2



ASSEMBLY INSTRUCTIONS

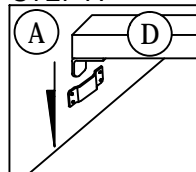
STEP 3

****Finish step 3,
Please screw tied the step 2 bolt.**

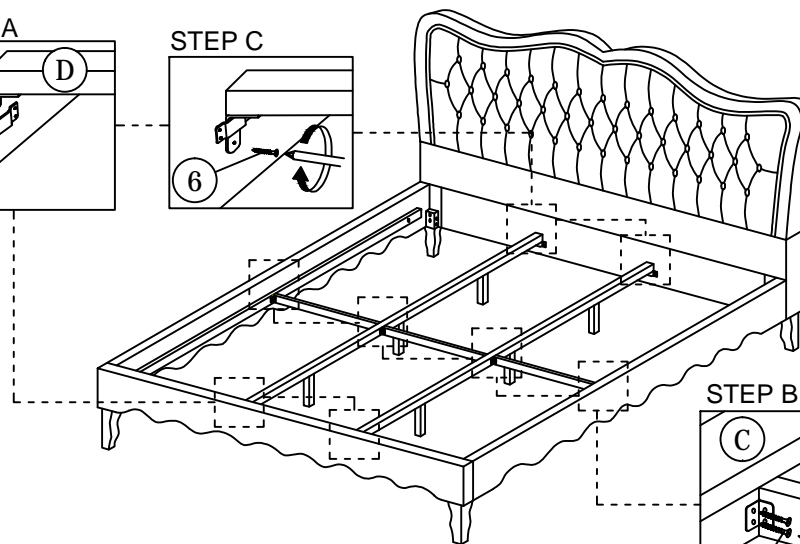
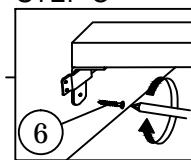


STEP 4

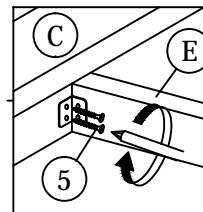
STEP A



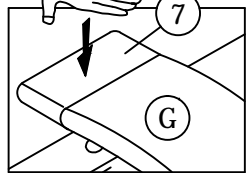
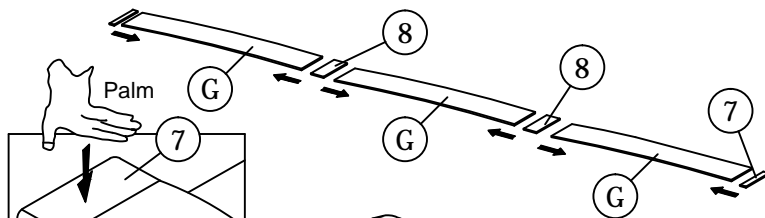
STEP C



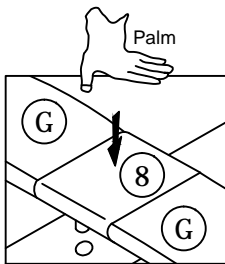
STEP B



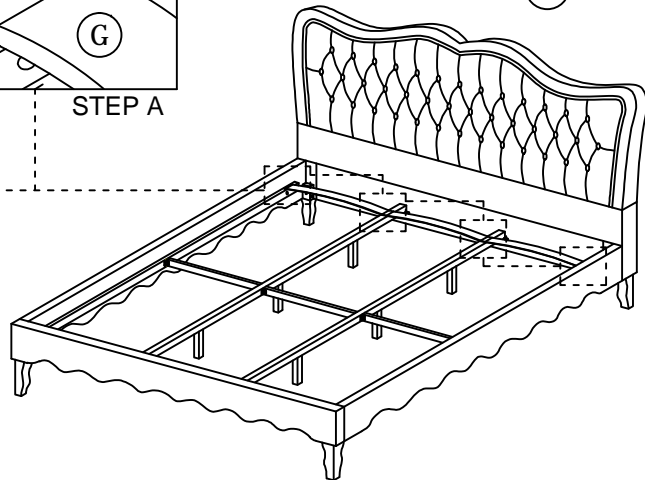
STEP 5



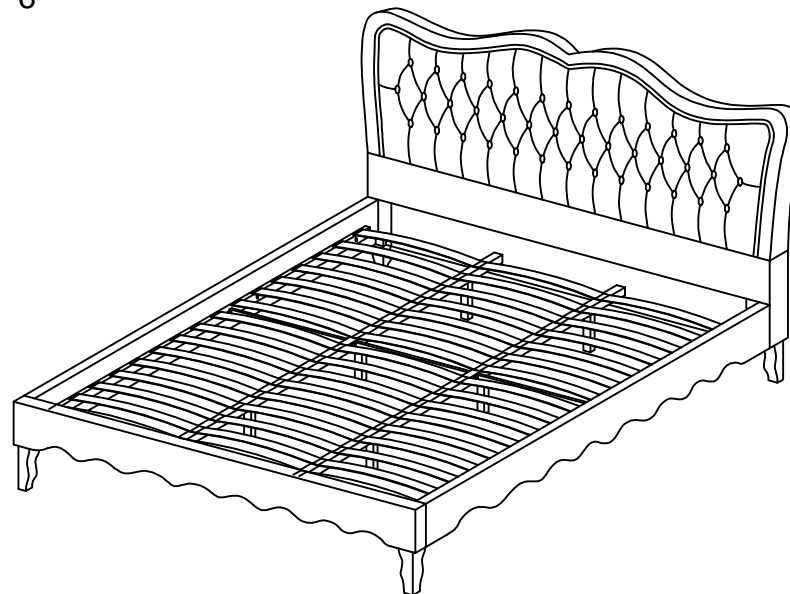
STEP A



STEP B



STEP 6



* When moving the bed position, the center support legs must be adjust to be straight to avoid any broken problem.