

Read this instruction carefully. See hardware and furniture part list for guidance. Be sure all parts are complete, before you assemble. Place all wooden furniture parts on a clean and flat soft surface to prevent from being scratched. Follow the figure to start assembling.

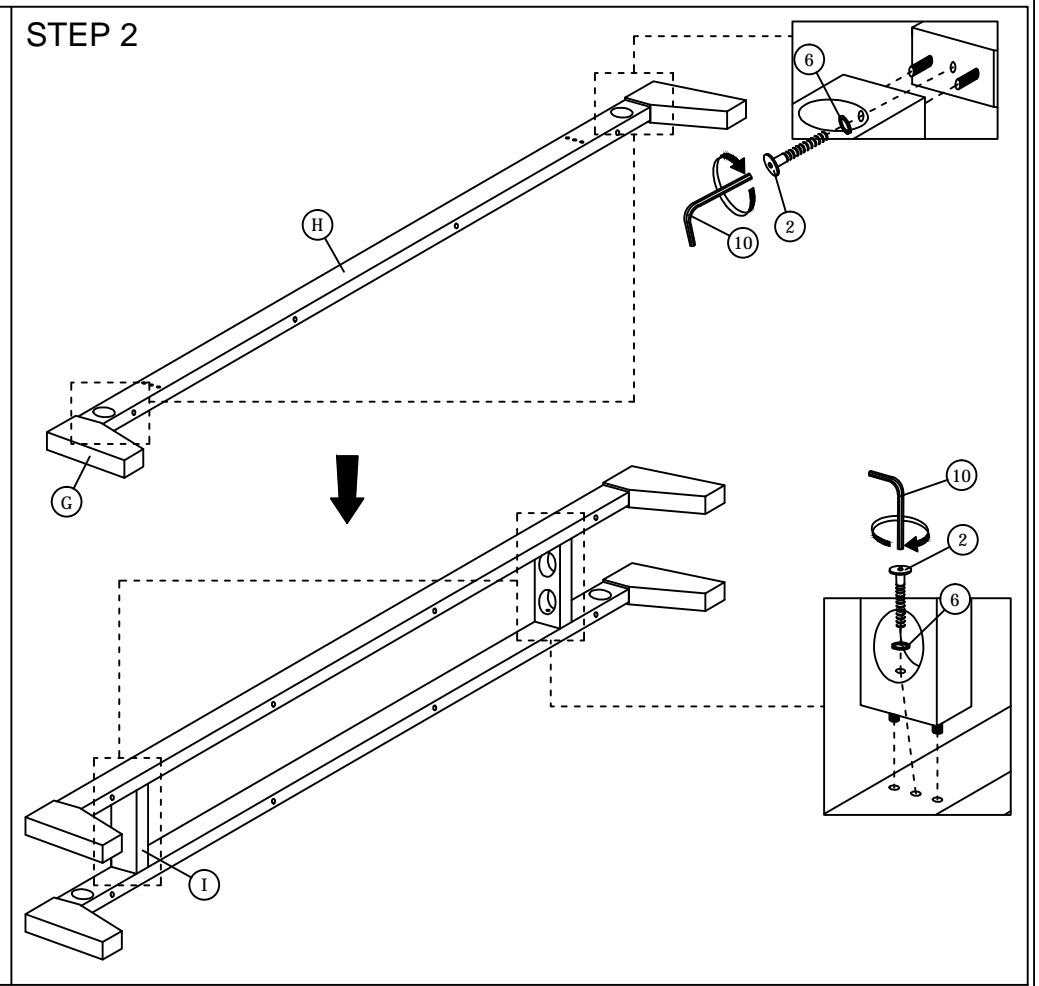
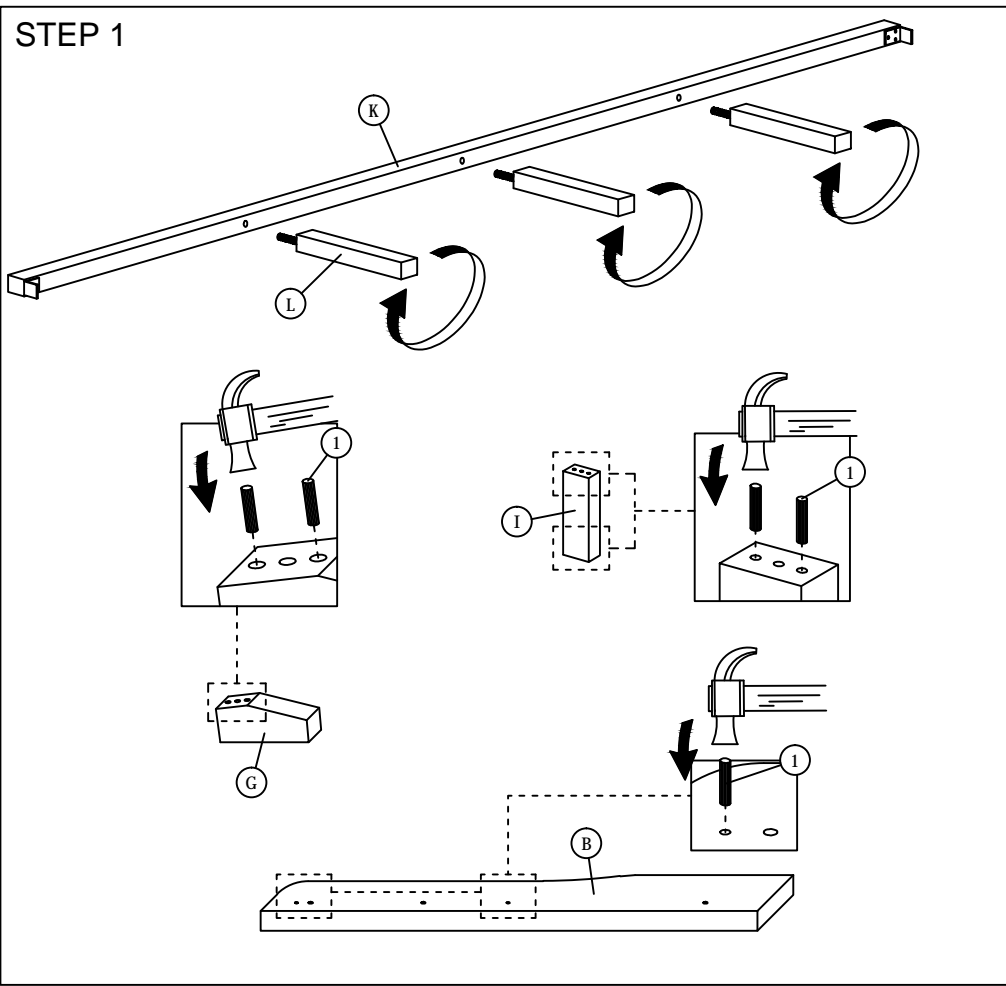
CAUTIONS : 1. Do not FULLY - TIGHTEN the nut or nut bolt until all nut or bolt is ready assembled.
2. Do not OVER - TIGHTEN the nut or bolt to avoid causing damages to the thread.
3. Keep all hardware parts out of reach of children.

NOTE : THE LIST AND QUANTITY SHOWN ARE FOR 1 UNIT ASSEMBLY.

Tool needed : Screwdriver & Hammer (not provider).

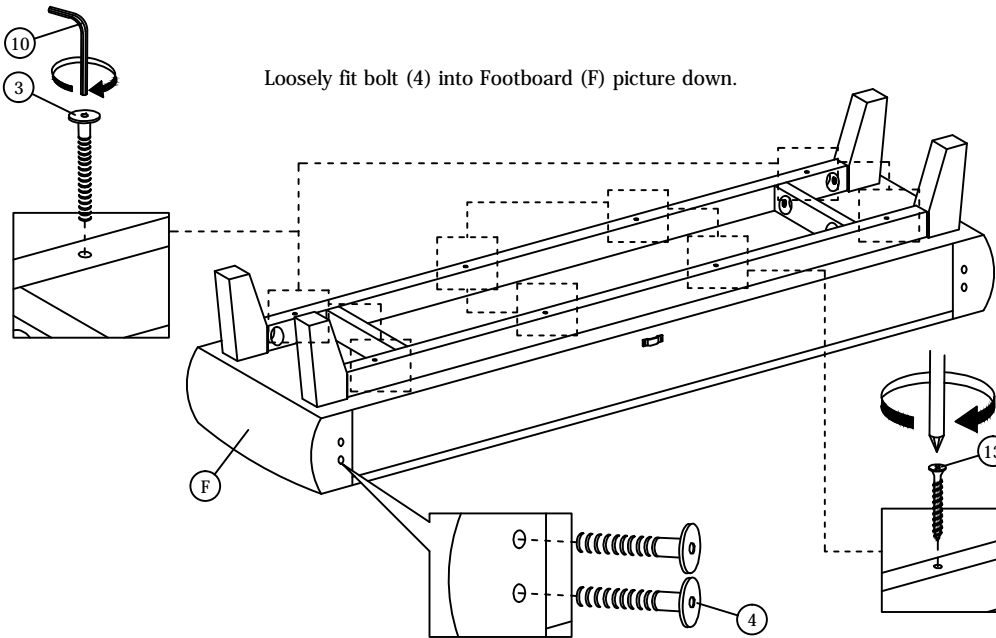
PART LIST		
ITEM	DESCRIPTION	QTY
A	HEADBOARD	1 PC
B	HEADBOARD WING (L&R)	2 PCS
C	HEADBOARD LEG (L&R)	2 PCS
D	HEADBOARD SUPPORT WOOD	2 PCS
E	HEADBOARD SUPPORT RAIL	1 PC
F	FOOTBOARD	1 PC
G	LEG	4 PCS
H	APRON	2 PCS
I	SIDE APRON	2 PCS
J	SIDE RAIL	2 PCS
K	CENTER RAIL	1 PC
L	CENTER SUPPORT LEG	3 PCS
M	CENTER SUPPORT	2 PCS
N	BED SLAT	24 PCS

HARDWARE LIST		
ITEM	DESCRIPTION	QTY
1	WOOD DOWEL M8 x 30mm	20 PCS
2	JCBC BOLT M6 x 40mm	14 PCS
3	JCBC BOLT M6 x 70mm	4 PCS
4	JCBB BOLT M8 x 30mm	8 PCS
5	JCBB BOLT M8 x 50mm	10 PCS
6	M6 SPRING WASHER	8 PCS
7	M6 FLAT WASHER	6 PCS
8	M8 SPRING WASHER	10 PCS
9	M8 FLAT WASHER	10 PCS
10	M4 ALLEN KEY (BALL SHAPE)	1 PC
11	M5 ALLEN KEY (BALL SHAPE)	1 PC
12	WOOD SCREW M3.5 x 16mm	8 PCS
13	WOOD SCREW M4 x 38mm	4 PCS
14	BED SLAT CENTER FITTER	12 PCS
15	BED SLAT SIDE FITTER	24 PCS

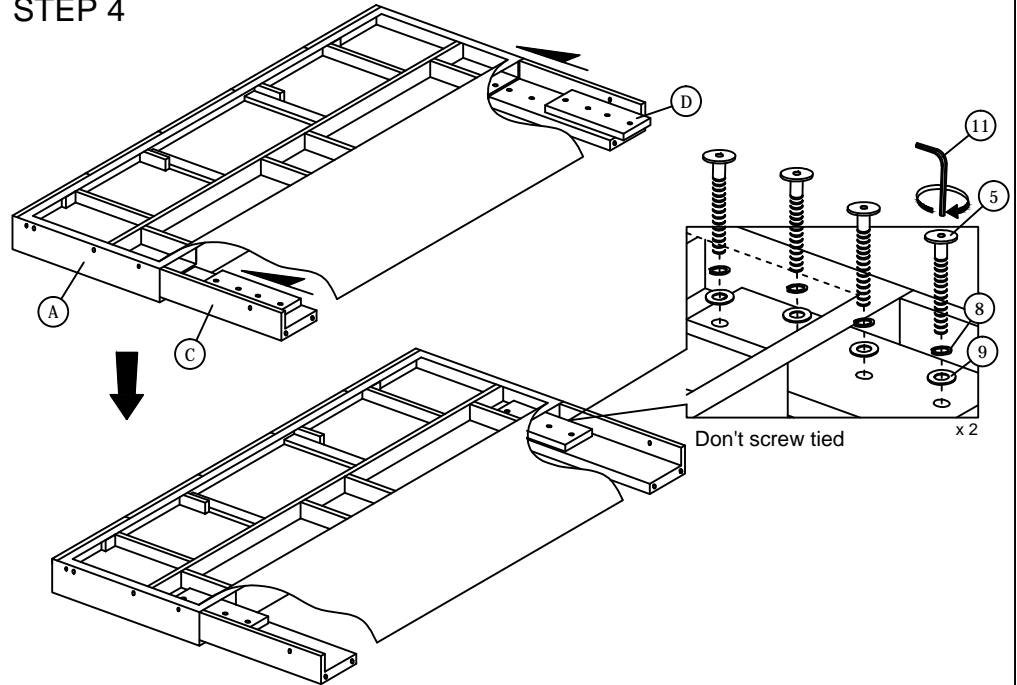


ASSEMBLY INSTRUCTIONS

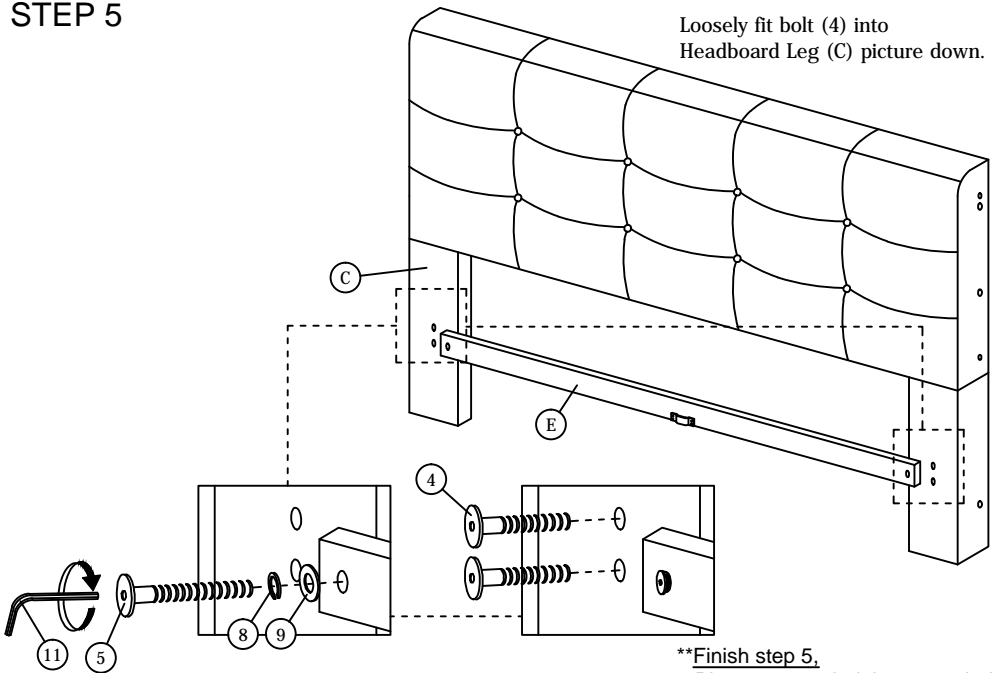
STEP 3



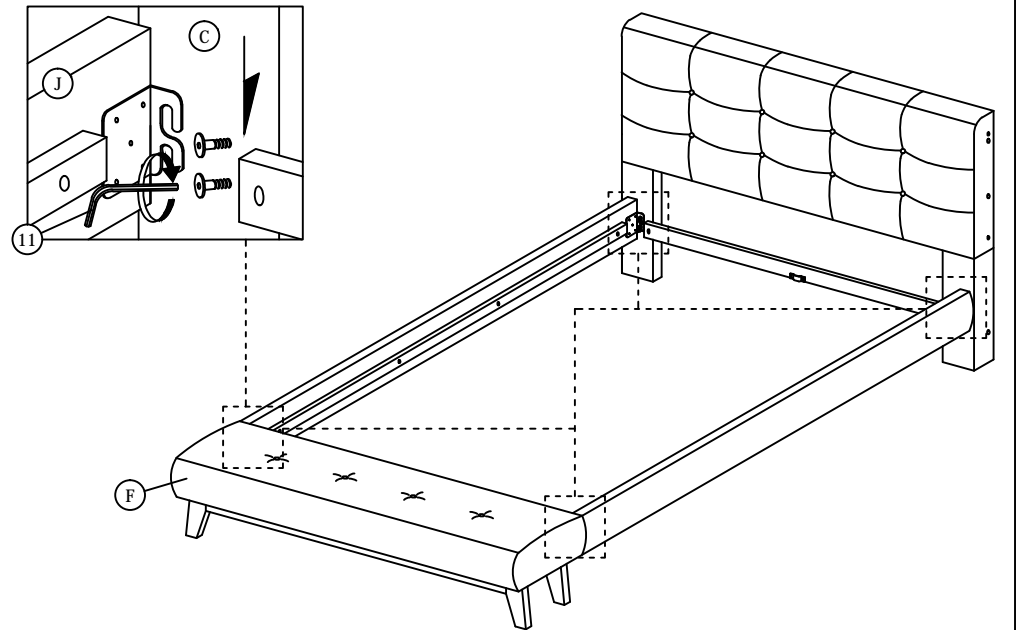
STEP 4



STEP 5



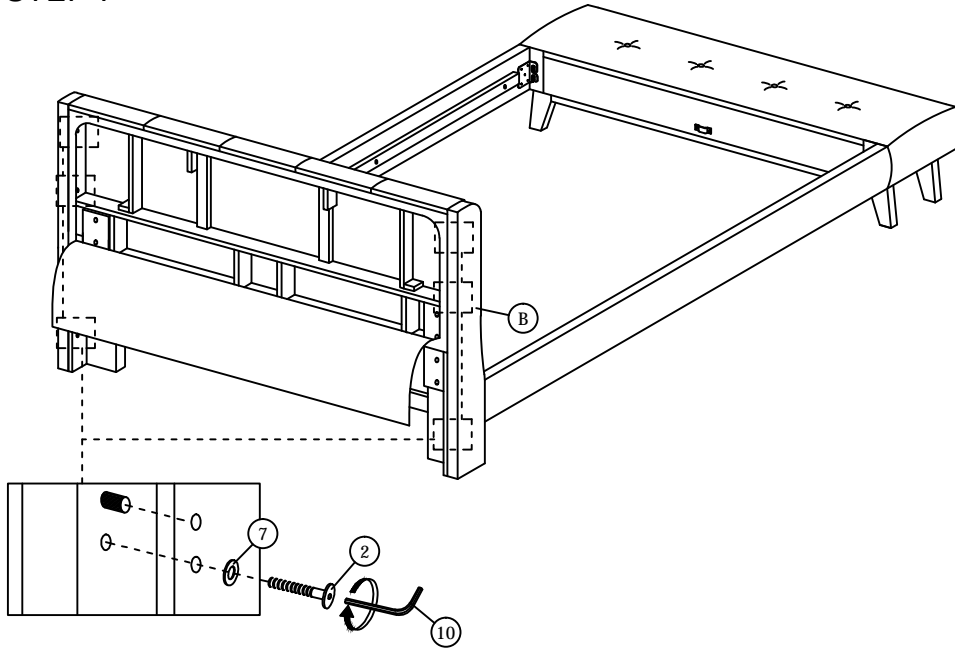
STEP 6



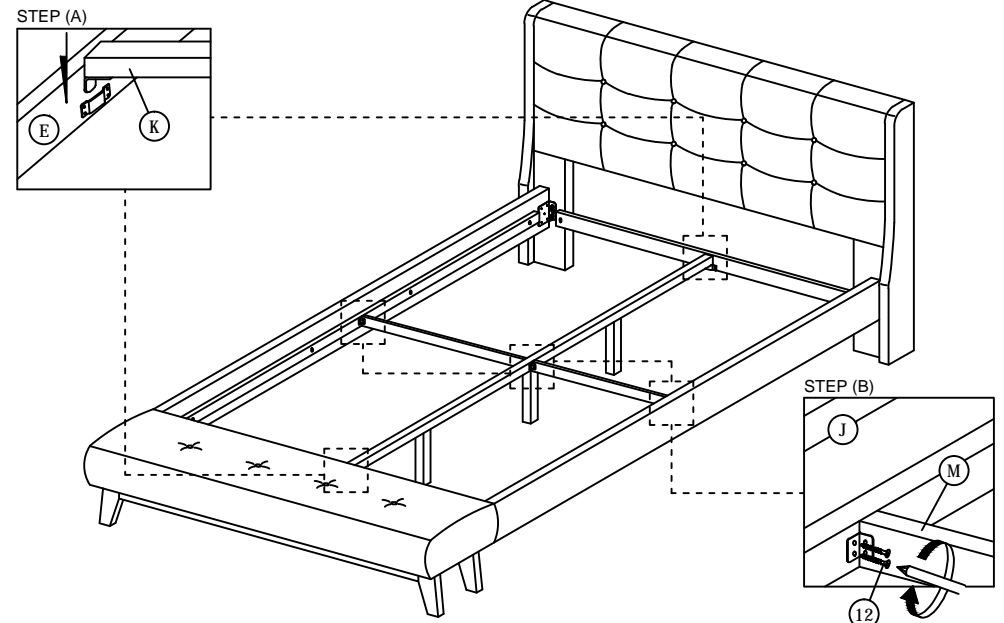
**Finish step 5.
Please screw tied the step 4 bolt.

ASSEMBLY INSTRUCTIONS

STEP 7

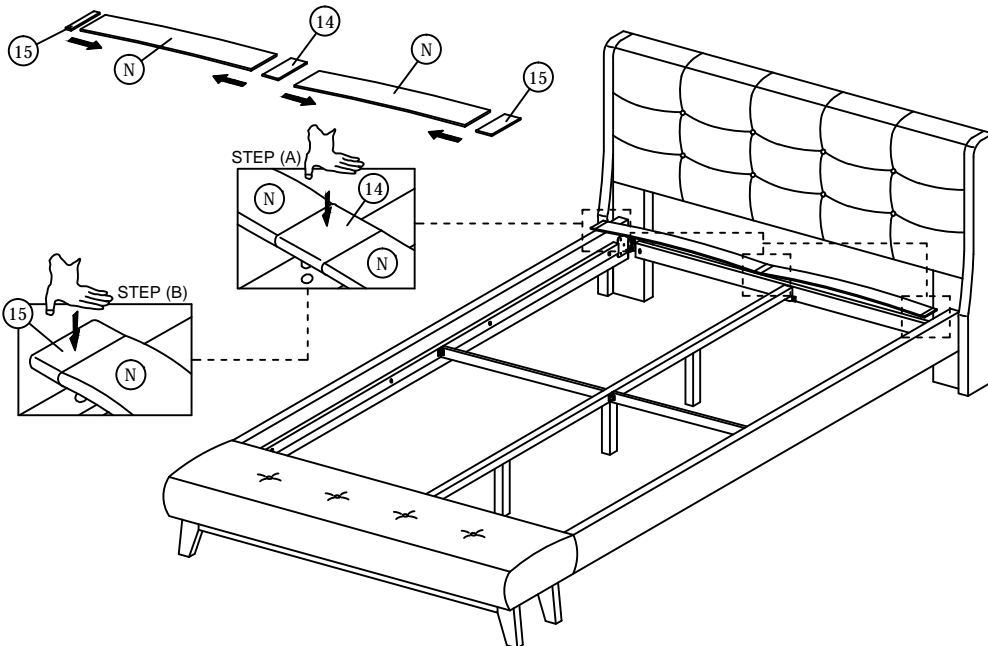


STEP 8

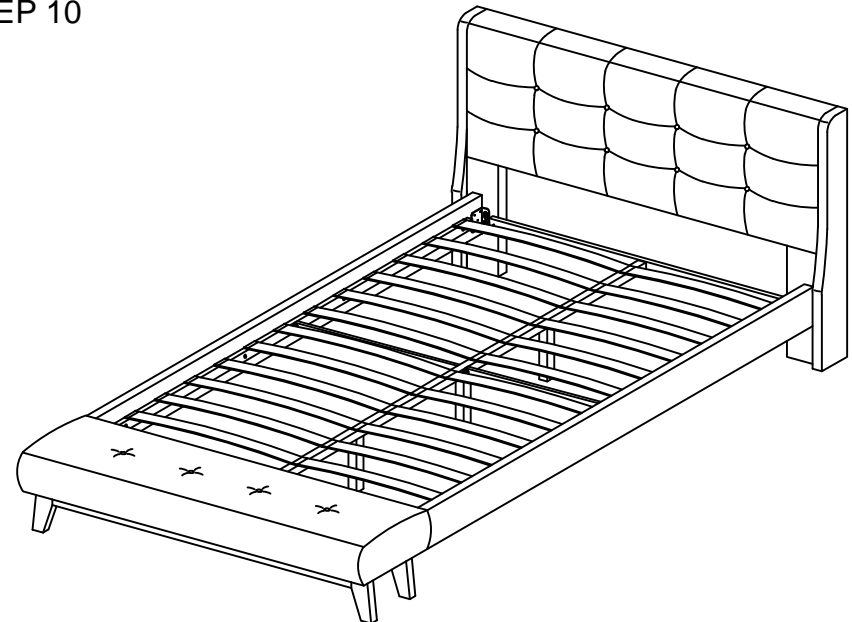


Note: Assemble (M) vertically as picture shown

STEP 9



STEP 10



* When moving the bed position, the center support legs must be adjust to be straight to avoid any broken problem.