

Read this instruction carefully. See hardware and furniture part list for guidance. Be sure all parts are complete, before you assemble. Place all wooden furniture parts on a clean and flat soft surface to prevent from being scratched. Follow the figure to start assembling.

**CAUTIONS :**

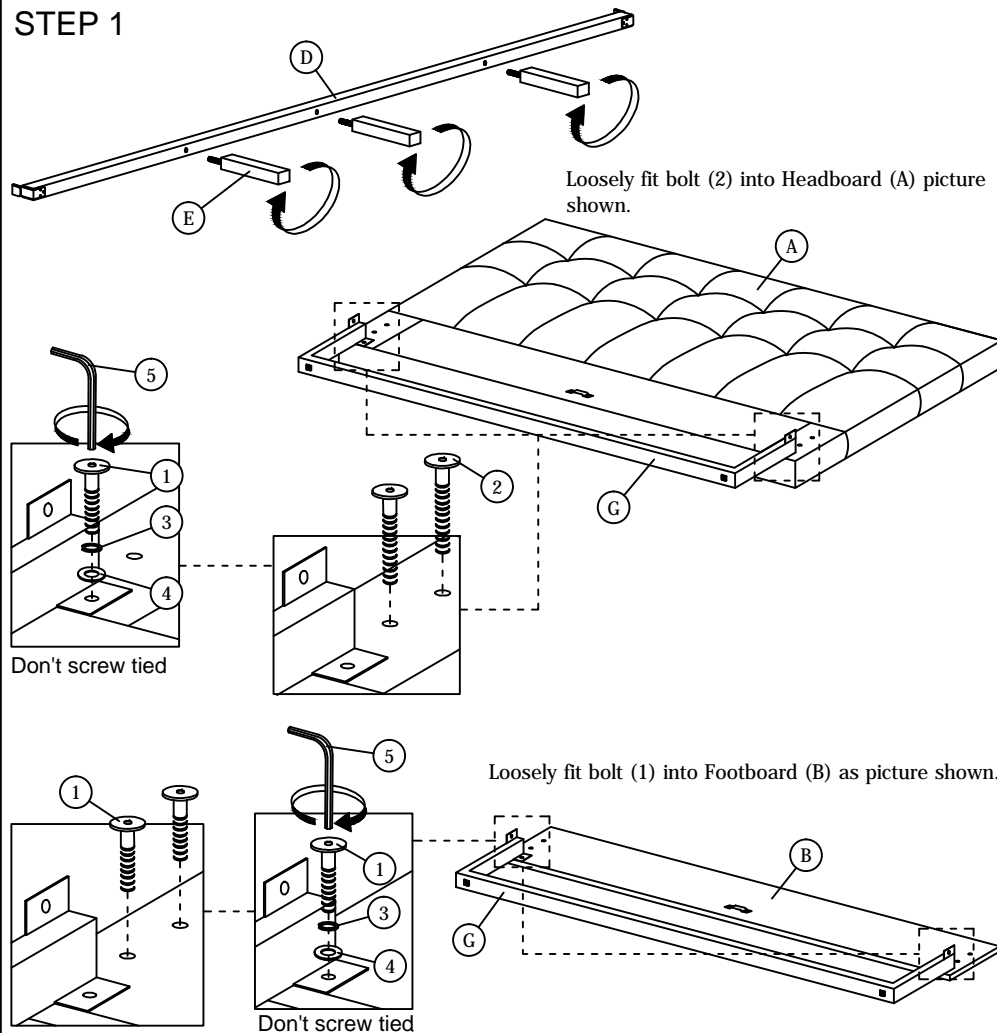
1. Do not FULLY - TIGHTEN the nut or nut bolt until all nut or bolt is ready assembled.
2. Do not OVER - TIGHTEN the nut or bolt to avoid causing damages to the thread.
3. Keep all hardware parts out of reach of children.

**NOTE :** THE LIST AND QUANTITY SHOWN ARE FOR 1 UNIT ASSEMBLY.  
Tool needed : Screwdriver (not provider).

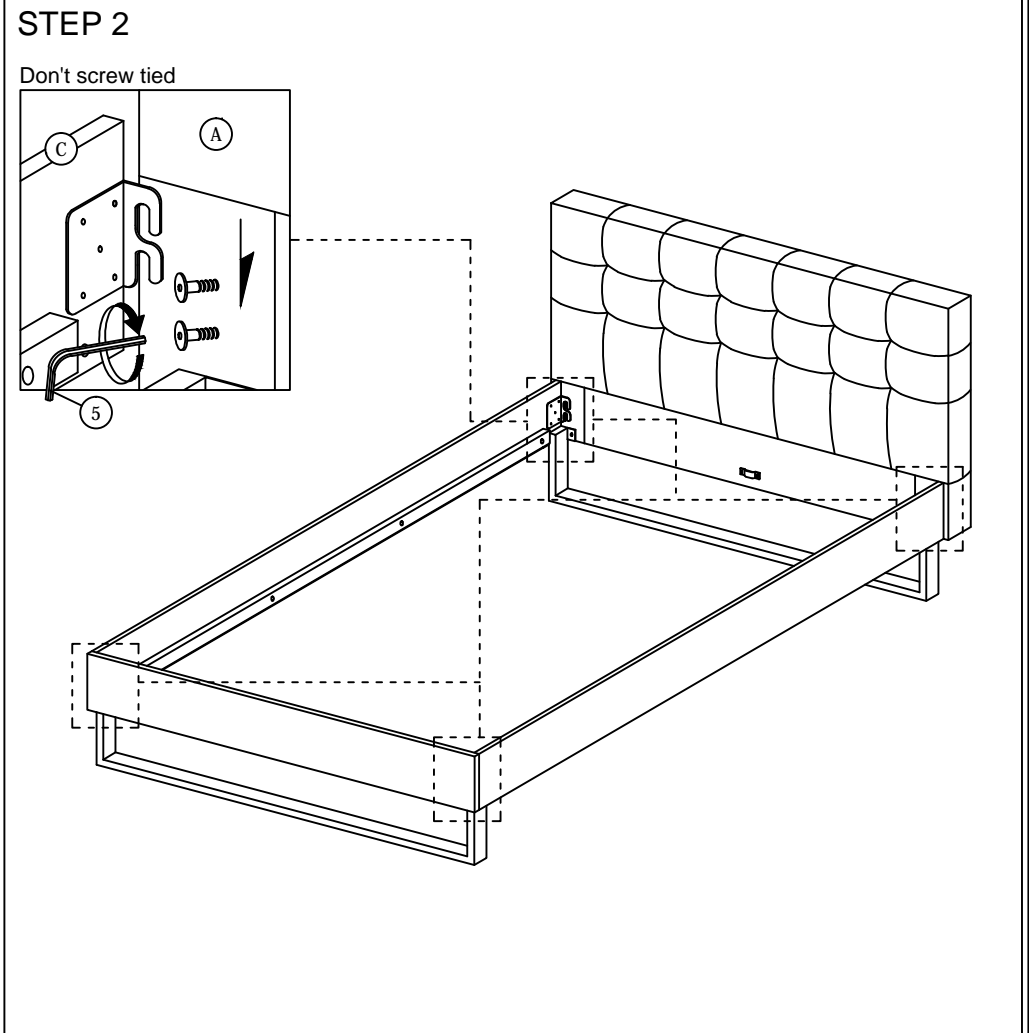
PART LIST		
ITEM	DESCRIPTION	QTY
A	HEADBOARD	1 PC
B	FOOTBOARD	1 PC
C	SIDE RAIL	2 PCS
D	CENTER RAIL	1 PC
E	CENTER SUPPORT LEG	3 PCS
F	CENTER SUPPORT	2 PCS
G	METAL LEG	2 PCS
H	BED SLAT	24 PCS

HARDWARE LIST		
ITEM	DESCRIPTION	QTY
1	JCBB BOLT M8 x 16mm	12 PCS
2	JCBB BOLT M8 x 40mm	4 PCS
3	M8 SPRING WASHER	8 PCS
4	M8 FLAT WASHER	8 PCS
5	M5 ALLEN KEY (BALL SHAPE)	1 PC
6	WOOD SCREW M3.5 x 16mm	8 PCS
7	BED SLAT CENTER FITTER	12 PCS
8	BED SLAT SIDE FITTER	24 PCS

## STEP 1

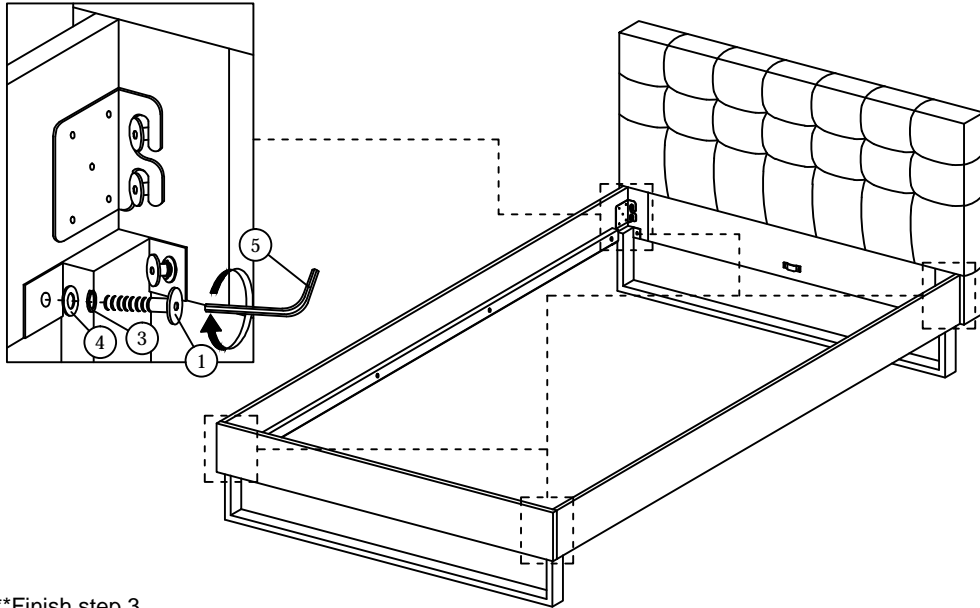


## STEP 2



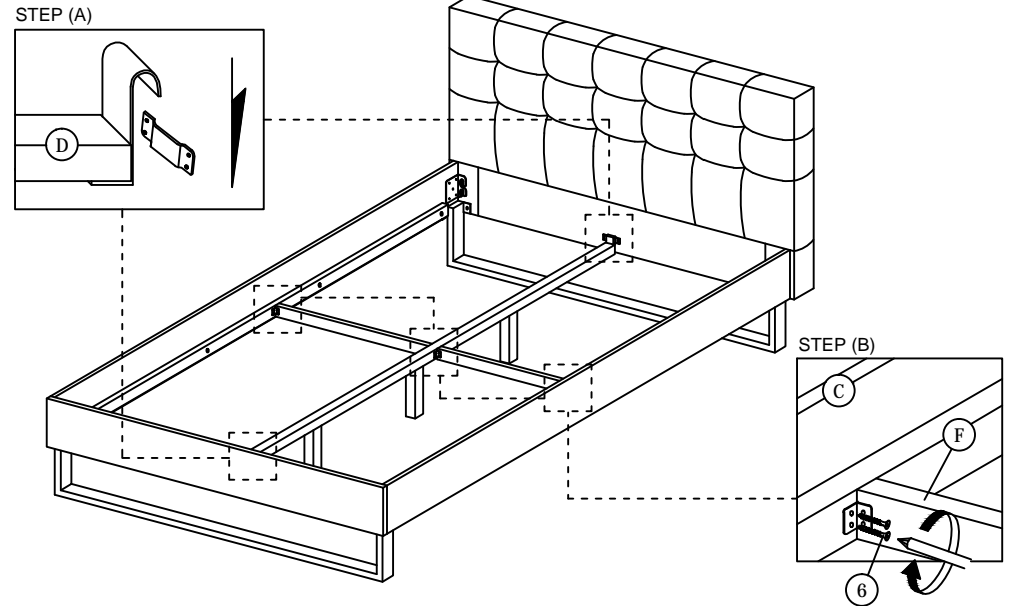
# ASSEMBLY INSTRUCTIONS

## STEP 3



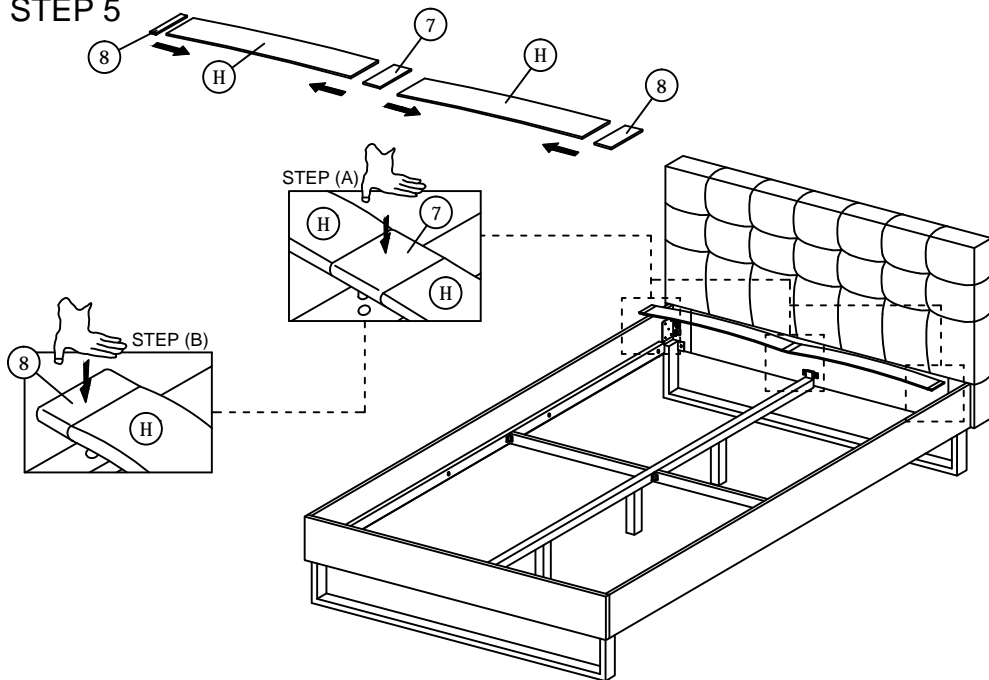
\*\*Finish step 3,  
Please screw tied the step 1 bolt & step 2 bolt.

## STEP 4

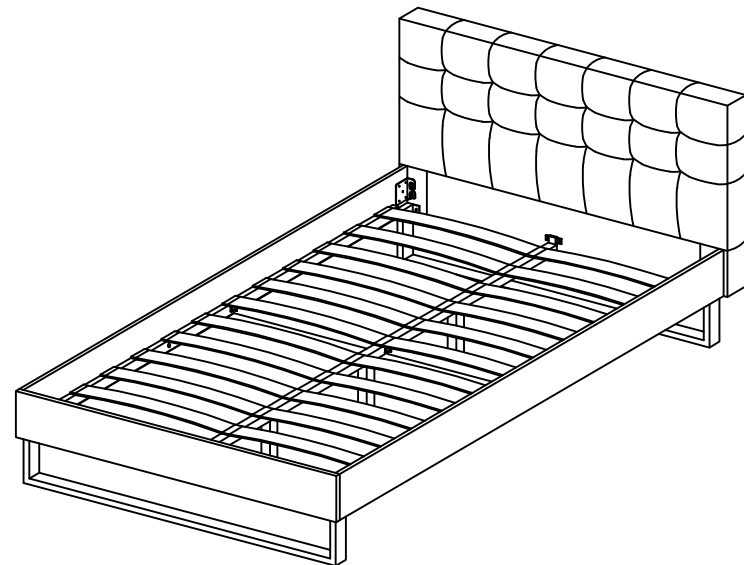


Note: Assemble (F) vertically as picture shown

## STEP 5



## STEP 6



\* When moving the bed position, the center support legs  
must be adjust to be straight to avoid any broken problem.