

Read this instruction carefully. See hardware and furniture part list for guidance.  
 Be sure all parts are complete, before you assemble. Place all wooden furniture parts on a clean and flat soft surface to prevent from being scratched.  
 Follow the figure to start assembling.

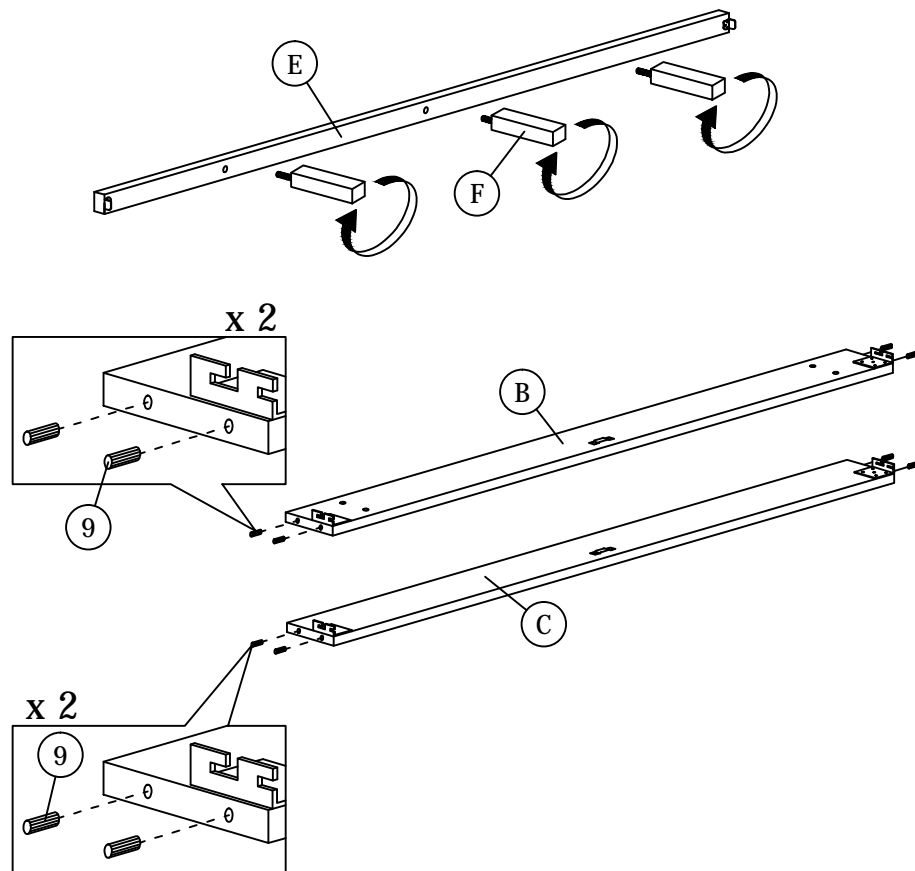
**CAUTIONS :** 1. Do not FULLY - TIGHTEN the nut or nut bolt until all nut or bolt is ready assembled.  
 2. Do not OVER - TIGHTEN the nut or bolt to avoid causing damages to the thread.  
 3. Keep all hardware parts out of reach of children.

**NOTE :** THE LIST AND QUANTITY SHOWN ARE FOR 1 UNIT ASSEMBLY.  
 Tool needed : Screwdriver (not provider).

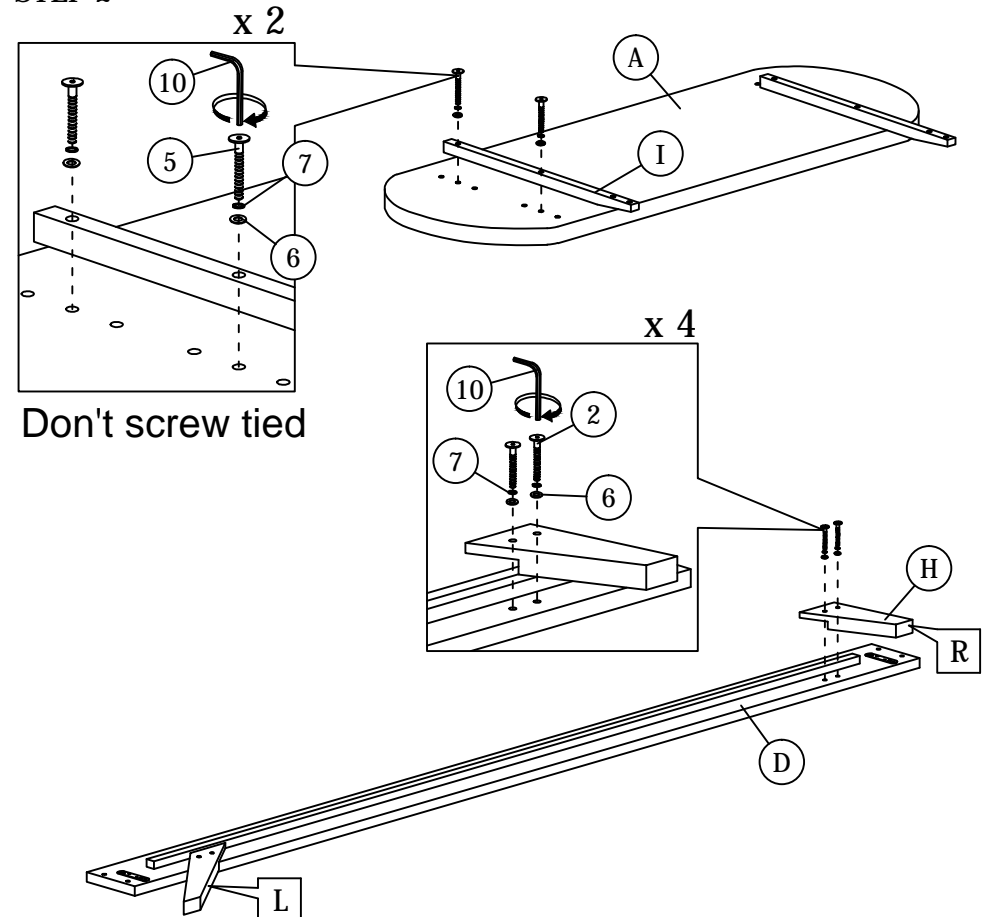
PART LIST		
ITEM	DESCRIPTION	QTY
A	HEADBOARD	1 PC
B	HEADBOARD PANEL	1 PC
C	FOOTBOARD	1 PC
D	SIDE RAIL	2 PCS
E	CENTER RAIL	1 PC
F	CENTER SUPPORT LEG	3 PCS
G	BED SLAT	1 SET
H	BED LEG	4 PCS
I	HEADBOARD SUPPORT WOOD	2 PCS

HARDWARE LIST		
ITEM	DESCRIPTION	QTY
1	JCBB BOLT M8 x 16mm	8 PCS
2	JCBB BOLT M8 x 35mm	8 PCS
3	JCBB BOLT M8 x 50mm	2 PCS
4	JCBB BOLT M8 x 60mm	2 PCS
5	JCBB BOLT M8 x 70mm	4 PCS
6	M8 FLAT WASHER	16 PCS
7	M8 SPRING WASHER	16 PCS
8	WOOD SCREW M4 x 32mm	9 PCS
9	WOOD DOWEL M10 x 30mm	8 PCS
10	M5 ALLEN KEY (BALL SHAPE)	1 PC

## STEP 1



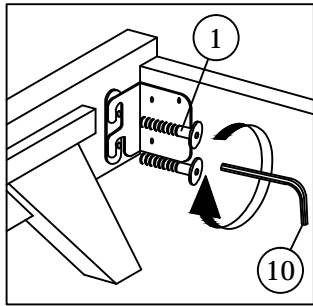
## STEP 2



# ASSEMBLY INSTRUCTIONS

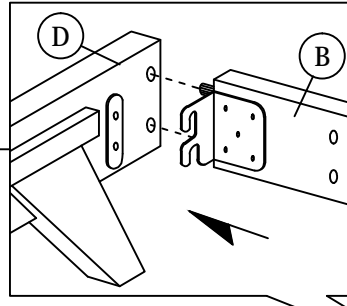
## STEP 3

### STEP B

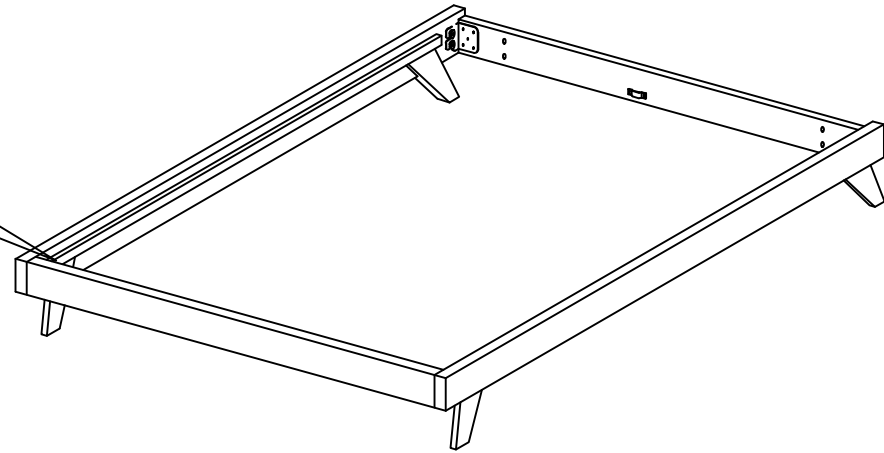


x 4

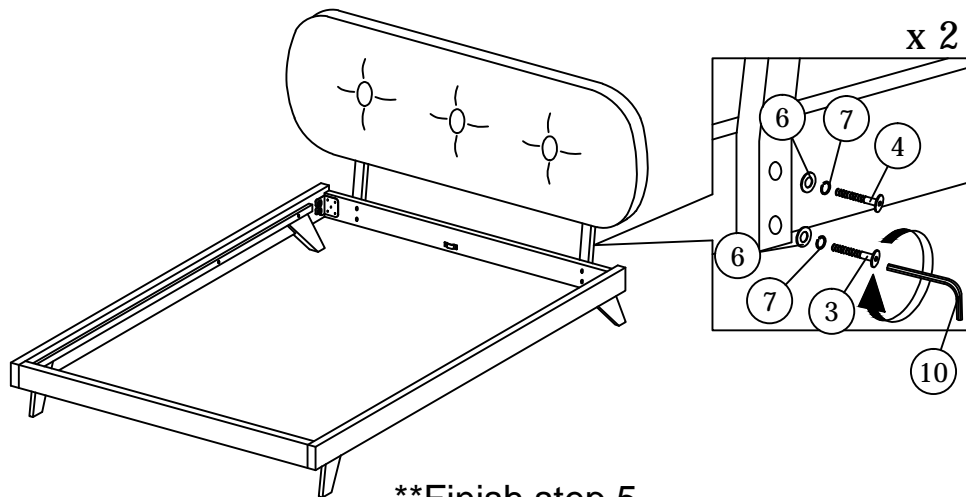
### STEP A



x 4



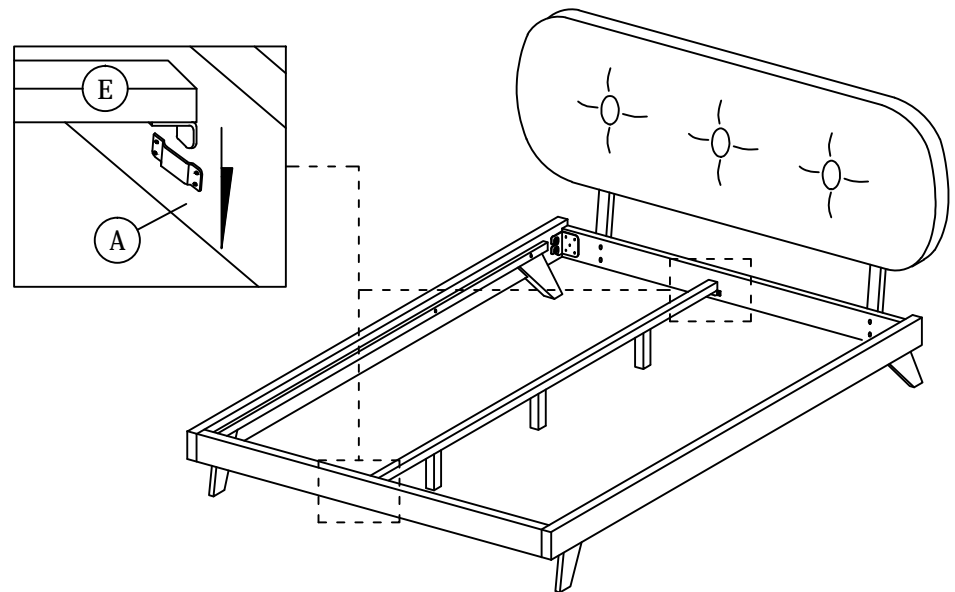
## STEP 4



x 2

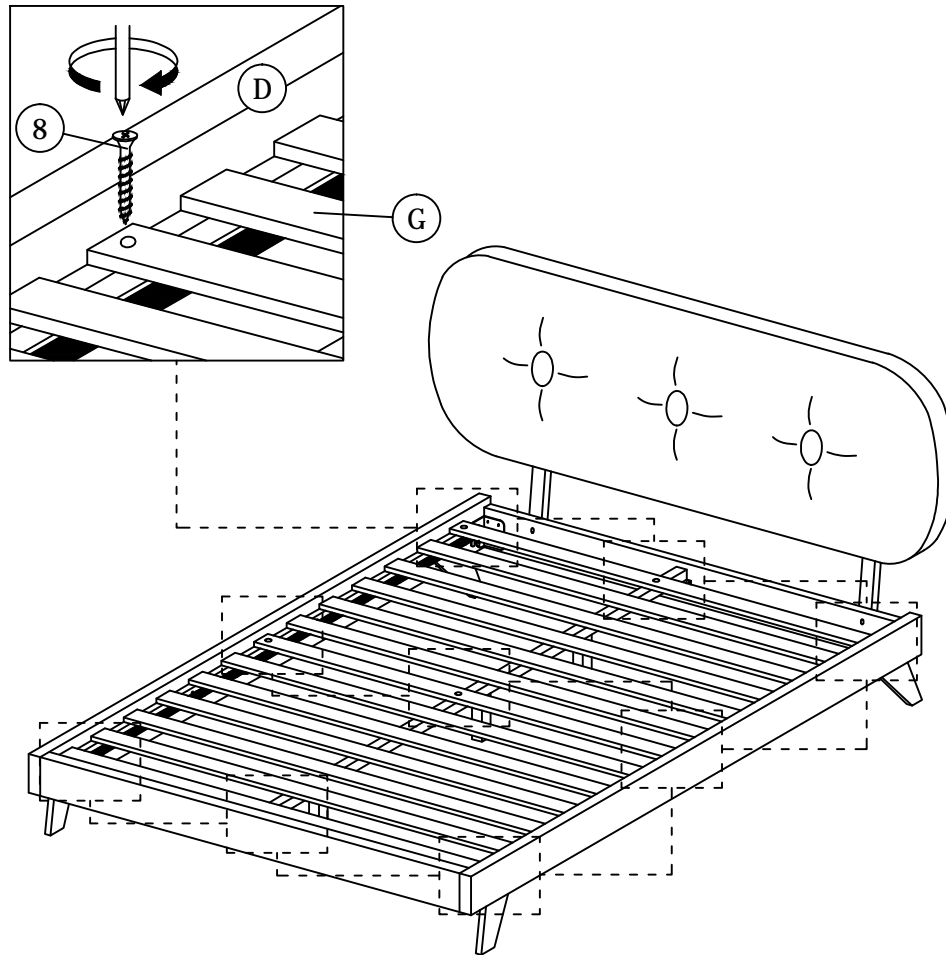
**\*\*Finish step 5,  
Please screw tied the step 2 bolt.**

## STEP 5

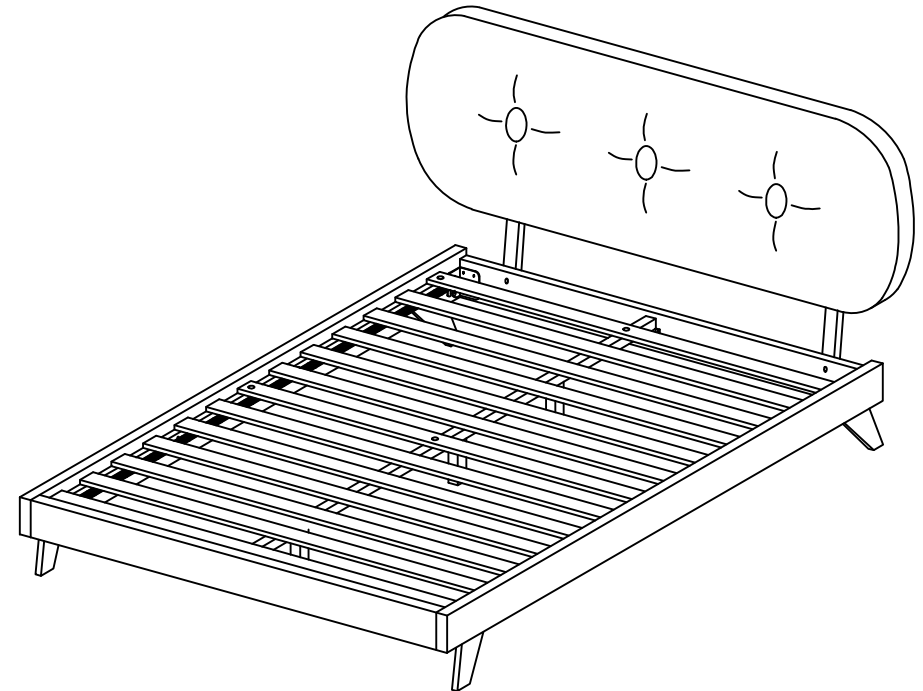


# ASSEMBLY INSTRUCTIONS

## STEP 6



## STEP 7



\* When moving the bed position, the center support legs must be adjust to be straight to avoid any broken problem.