

Read this instruction carefully. See hardware and furniture part list for guidance. Be sure all parts are complete, before you assemble. Place all wooden furniture parts on a clean and flat soft surface to prevent from being scratched. Follow the figure to start assembling.

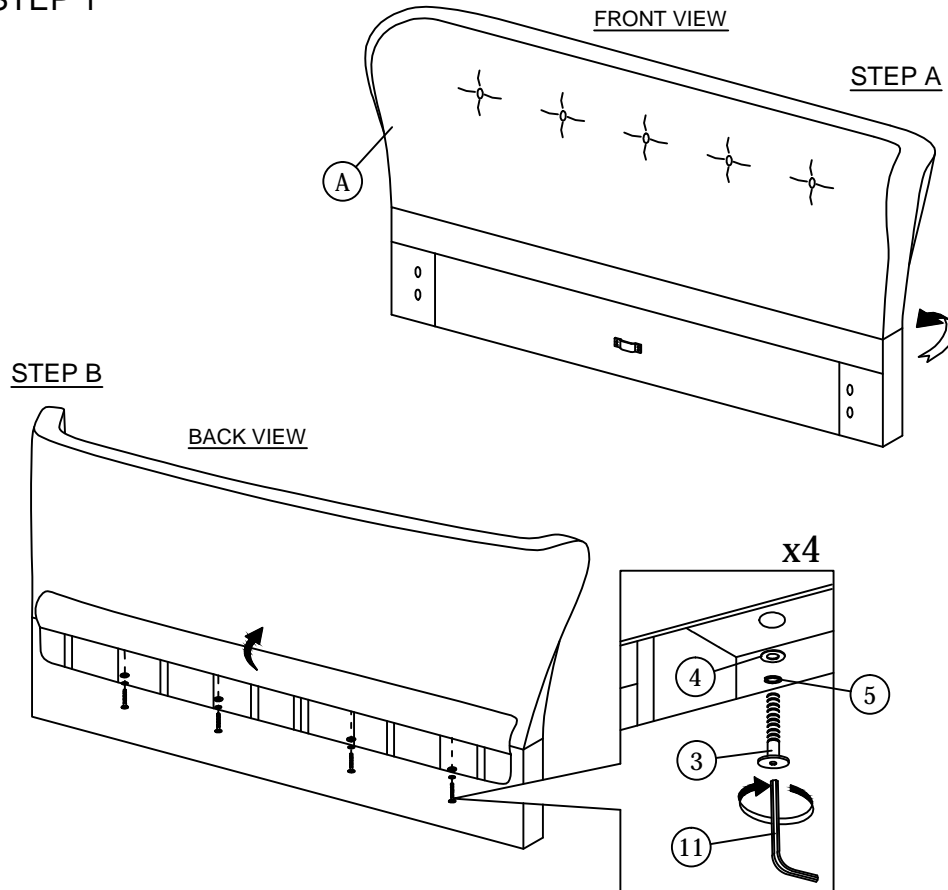
CAUTIONS : 1. Do not FULLY - TIGHTEN the nut or nut bolt until all nut or bolt is ready assembled.
 2. Do not OVER - TIGHTEN the nut or bolt to avoid causing damages to the thread.
 3. Keep all hardware parts out of reach of children.

NOTE : THE LIST AND QUANTITY SHOWN ARE FOR 1 UNIT ASSEMBLY.
 Tool needed : Screwdriver (not provider).

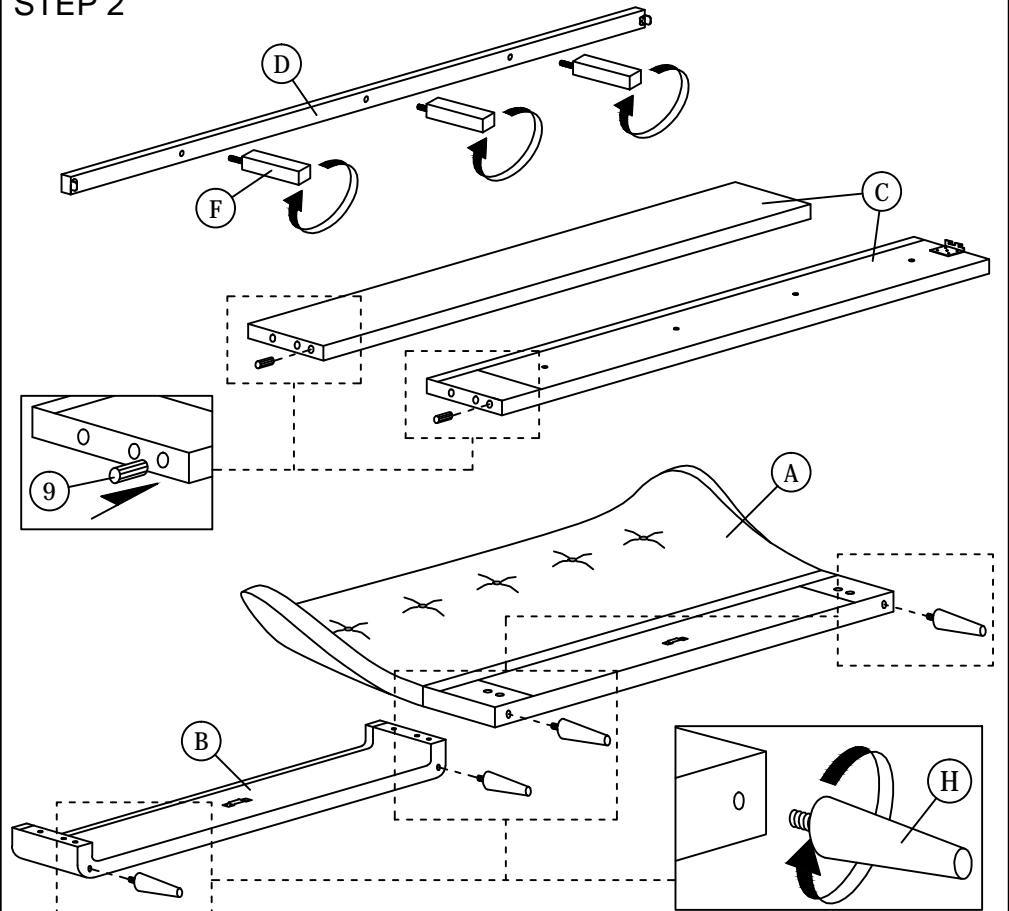
PART LIST		
ITEM	DESCRIPTION	QTY
A	HEADBOARD	1 PC
B	FOOTBOARD	1 PC
C	SIDE RAIL	2 PCS
D	CENTER RAIL	1 PC
E	CENTER SUPPORT	2 PCS
F	CENTER SUPPORT LEG	3 PCS
G	BED SLAT	26 PCS
H	BED LEG	4 PCS
I	SIDE RAIL SUPPORT	2 PCS

HARDWARE LIST		
ITEM	DESCRIPTION	QTY
1	JCBC BOLT M6 x 40mm	8 PCS
2	JCBB BOLT M8 x 40mm	4 PCS
3	JCBB BOLT M8 x 50mm	8 PCS
4	M8 FLAT WASHER	8 PCS
5	M8 SPRING WASHER	8 PCS
6	WOOD SCREW M3.5 x 16mm	8 PCS
7	BED SLAT SIDE FITTER	26 PCS
8	BED SLAT CENTER FITTER	13 PCS
9	WOOD DOWEL M10 x 40mm	2 PCS
10	M4 ALLEN KEY (BALL SHAPE)	1 PC
11	M5 ALLEN KEY (BALL SHAPE)	1 PC

STEP 1



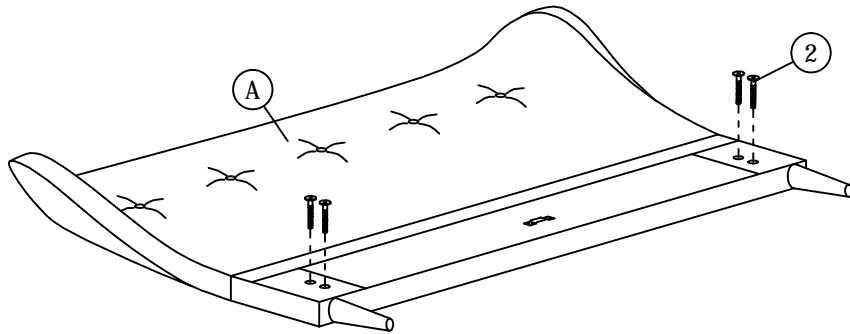
STEP 2



ASSEMBLY INSTRUCTIONS

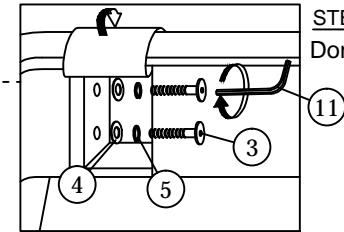
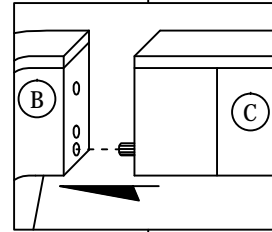
STEP 3

Loosely fit bolt (2) into Headboard (A) as picture shown.

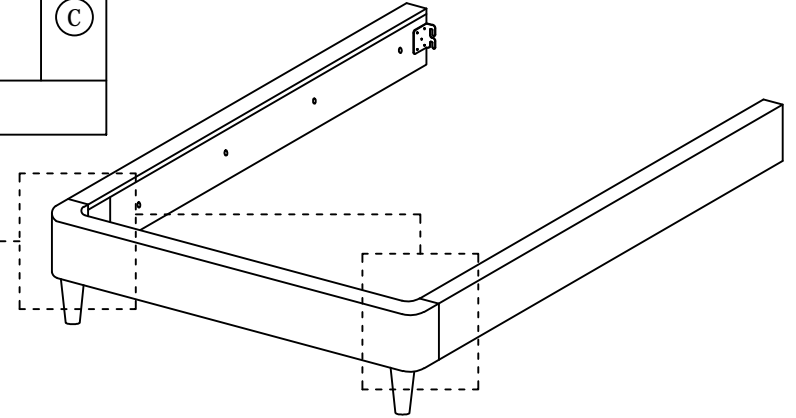


STEP 4

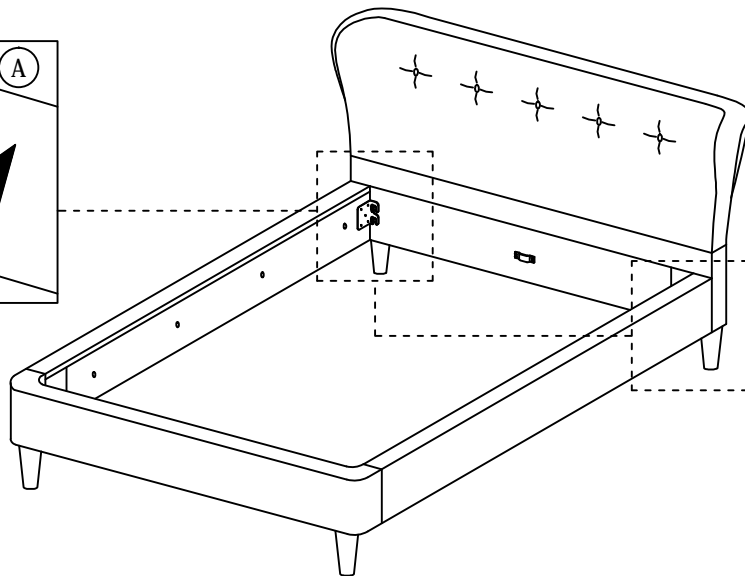
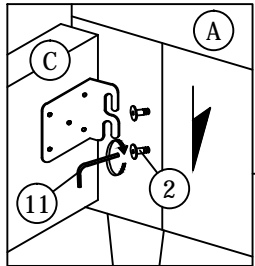
STEP A



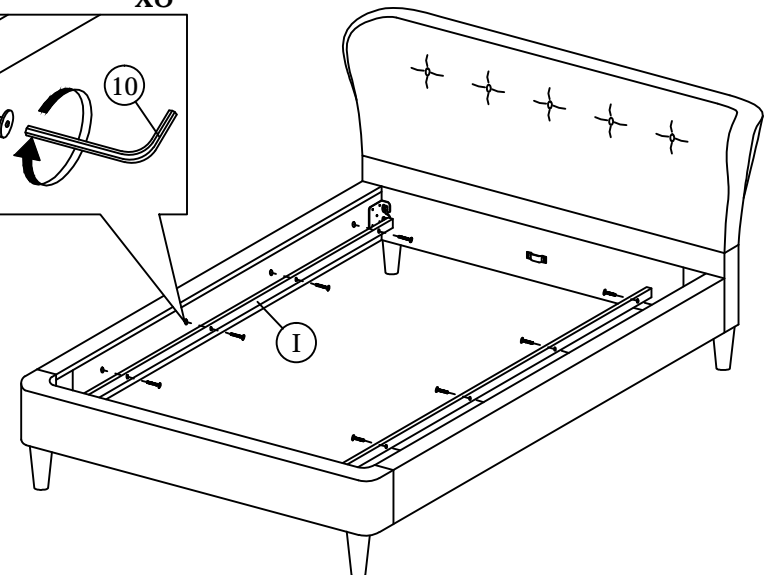
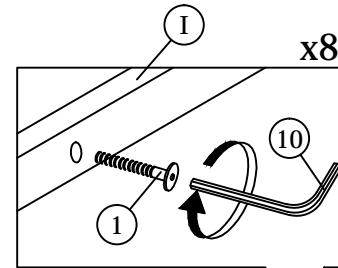
STEP B
Don't screw tied



STEP 5



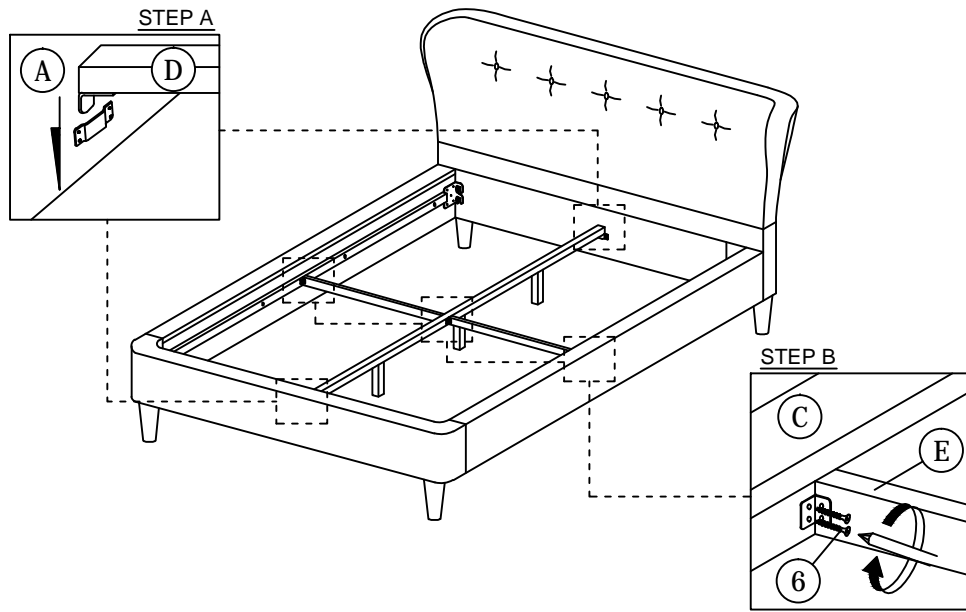
STEP 6



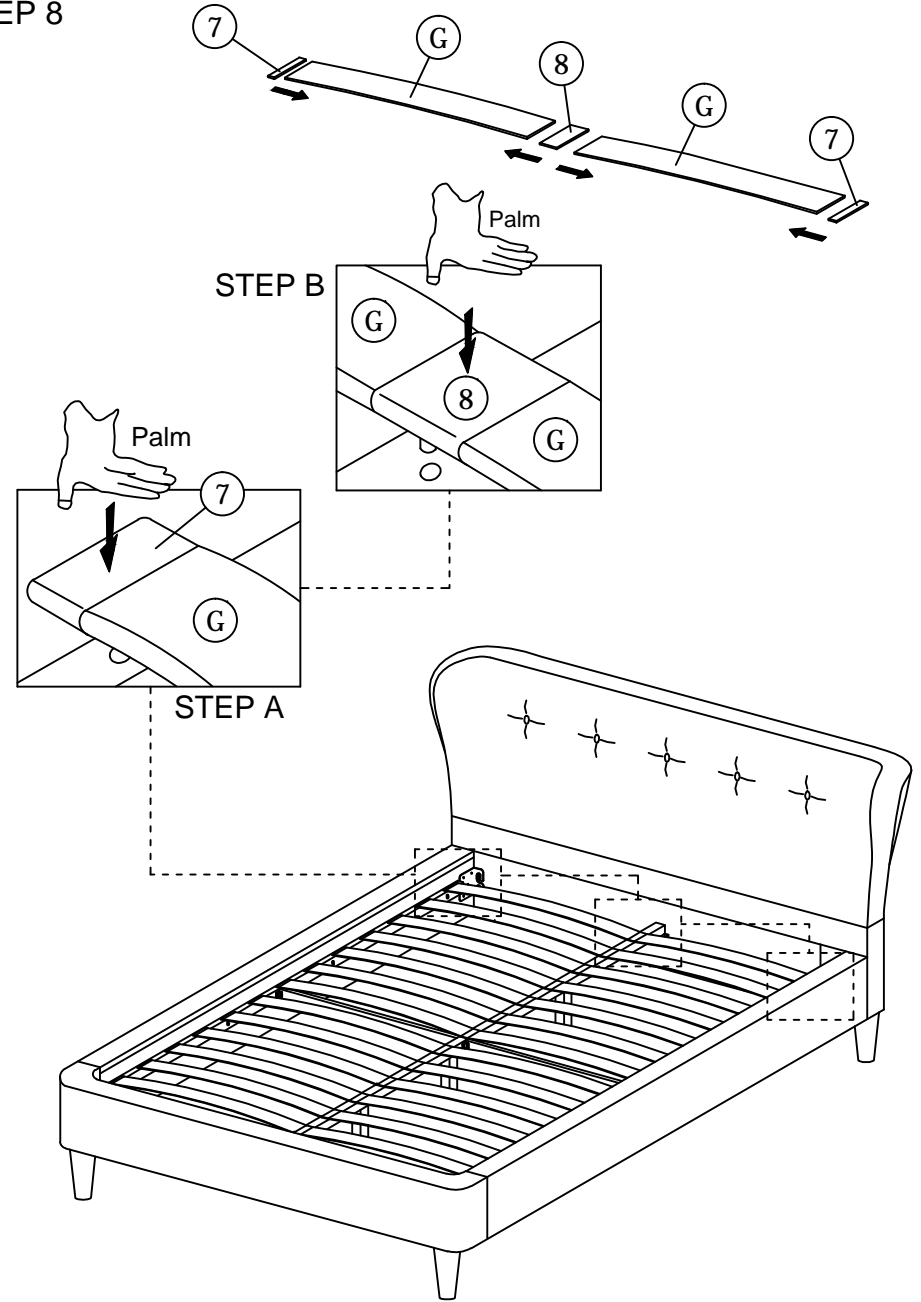
**Finish step 5,
Please screw tied the step 4 bolt.

ASSEMBLY INSTRUCTIONS

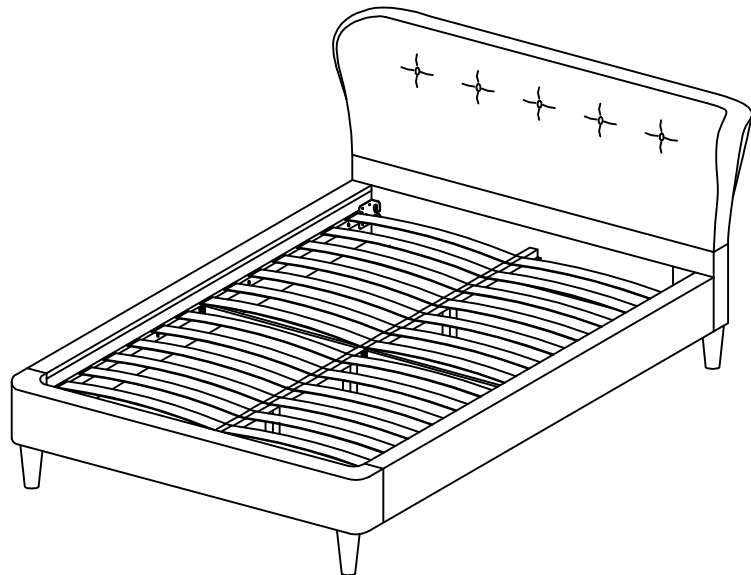
STEP 7



STEP 8



STEP 9



* When moving the bed position, the center support legs must be adjust to be straight to avoid any broken problem.