

Read this instruction carefully. See hardware and furniture part list for guidance. Be sure all parts are complete, before you assemble. Place all wooden furniture parts on a clean and flat soft surface to prevent from being scratched. Follow the figure to start assembling.

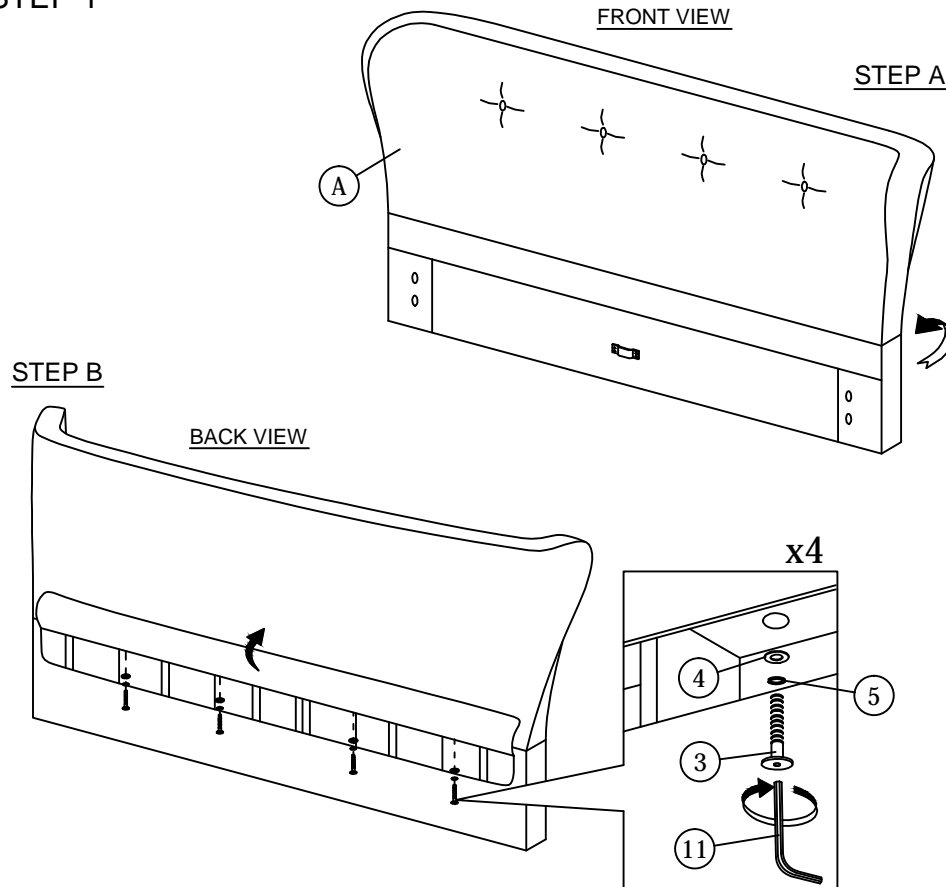
**CAUTIONS :** 1. Do not FULLY - TIGHTEN the nut or nut bolt until all nut or bolt is ready assembled.  
2. Do not OVER - TIGHTEN the nut or bolt to avoid causing damages to the thread.  
3. Keep all hardware parts out of reach of children.

**NOTE :** THE LIST AND QUANTITY SHOWN ARE FOR 1 UNIT ASSEMBLY.  
Tool needed : Screwdriver (not provider).

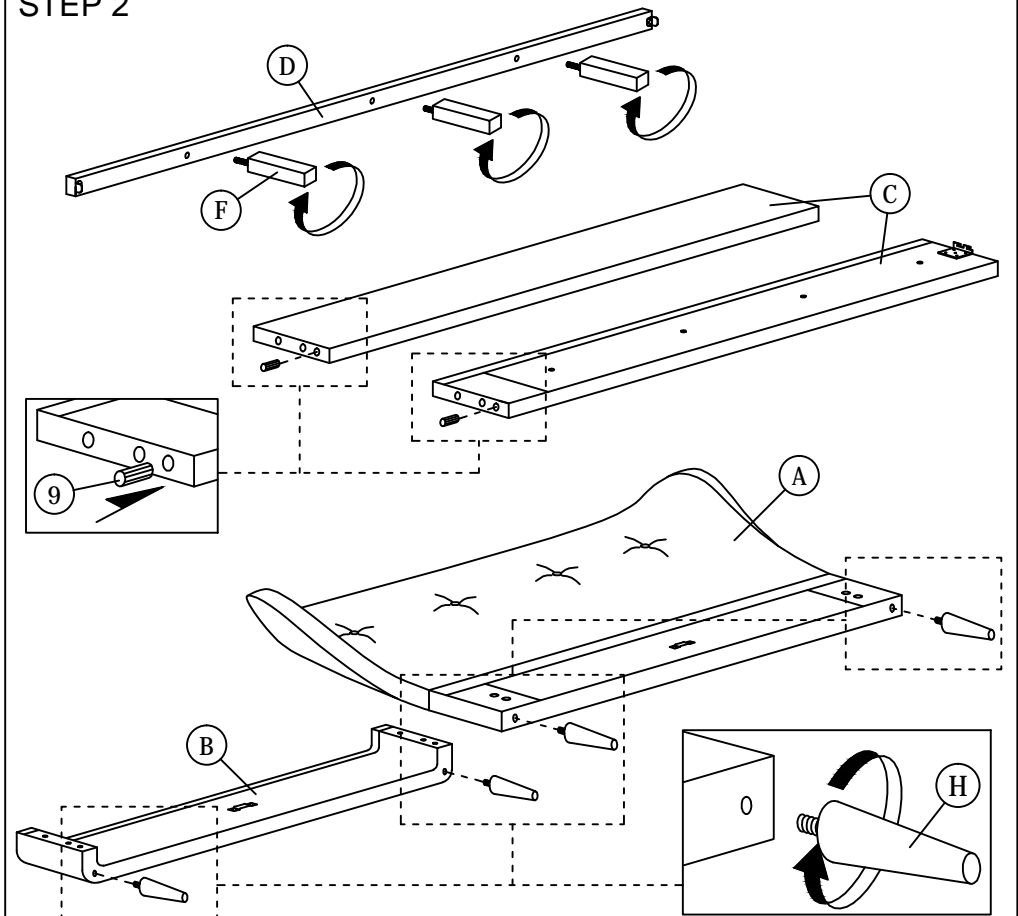
PART LIST		
ITEM	DESCRIPTION	QTY
A	HEADBOARD	1 PC
B	FOOTBOARD	1 PC
C	SIDE RAIL	2 PCS
D	CENTER RAIL	1 PC
E	CENTER SUPPORT	2 PCS
F	CENTER SUPPORT LEG	3 PCS
G	BED SLAT	24 PCS
H	BED LEG	4 PCS
I	SIDE RAIL SUPPORT	2 PCS

HARDWARE LIST		
ITEM	DESCRIPTION	QTY
1	JCBC BOLT M6 x 40mm	8 PCS
2	JCBB BOLT M8 x 40mm	4 PCS
3	JCBB BOLT M8 x 50mm	8 PCS
4	M8 FLAT WASHER	8 PCS
5	M8 SPRING WASHER	8 PCS
6	WOOD SCREW M3.5 x 16mm	8 PCS
7	BED SLAT SIDE FITTER	24 PCS
8	BED SLAT CENTER FITTER	12 PCS
9	WOOD DOWEL M10 x 40mm	2 PCS
10	M4 ALLEN KEY (BALL SHAPE)	1 PC
11	M5 ALLEN KEY (BALL SHAPE)	1 PC

## STEP 1



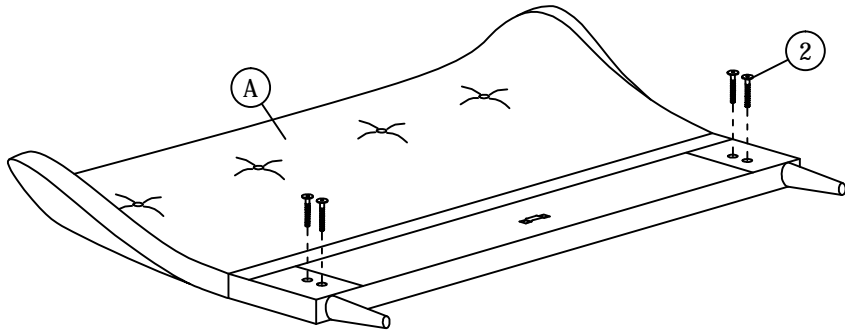
## STEP 2



# ASSEMBLY INSTRUCTIONS

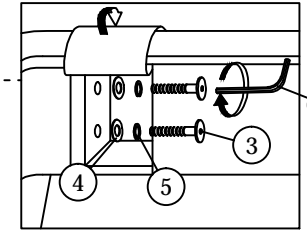
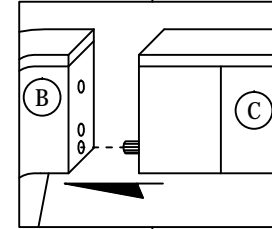
## STEP 3

Loosely fit bolt (2) into Headboard (A) as picture shown.

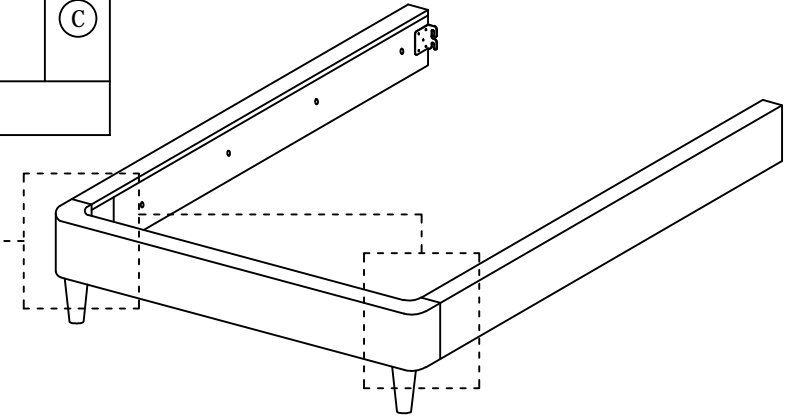


## STEP 4

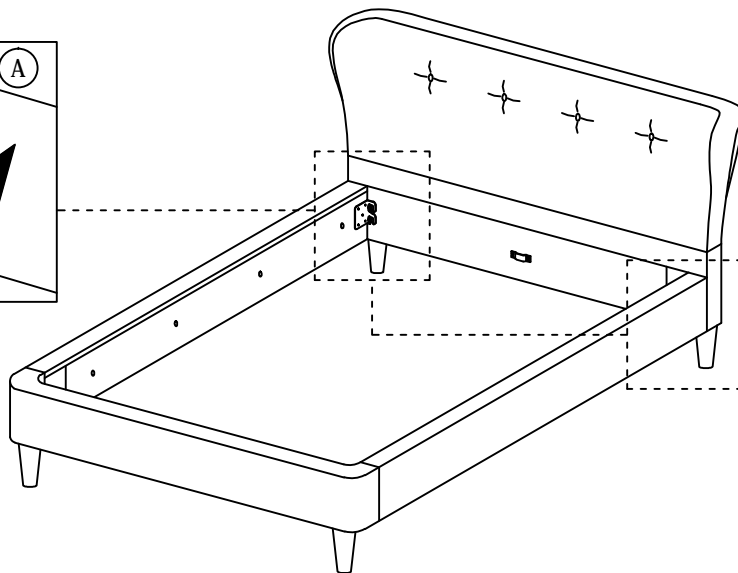
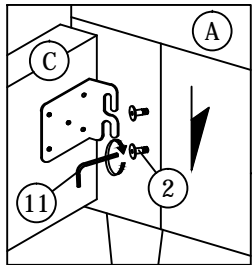
### STEP A



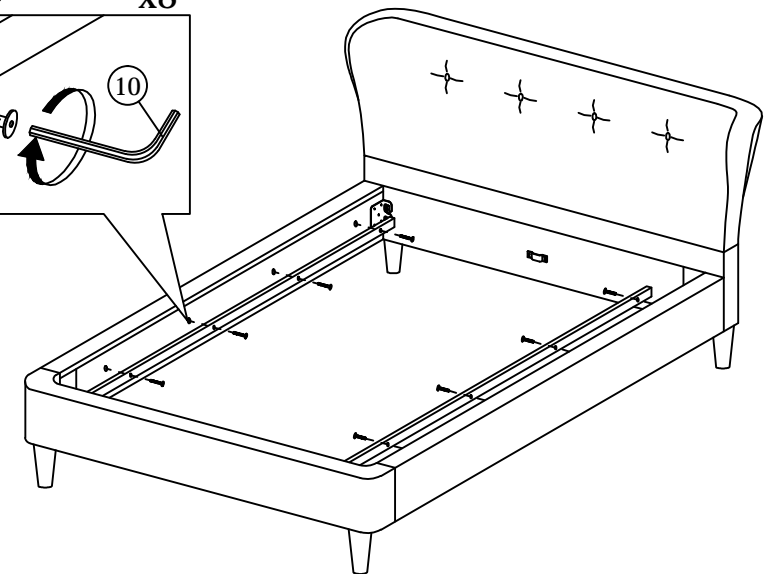
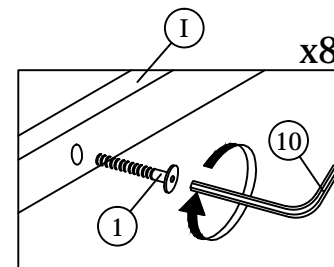
STEP B  
Don't screw tied



## STEP 5



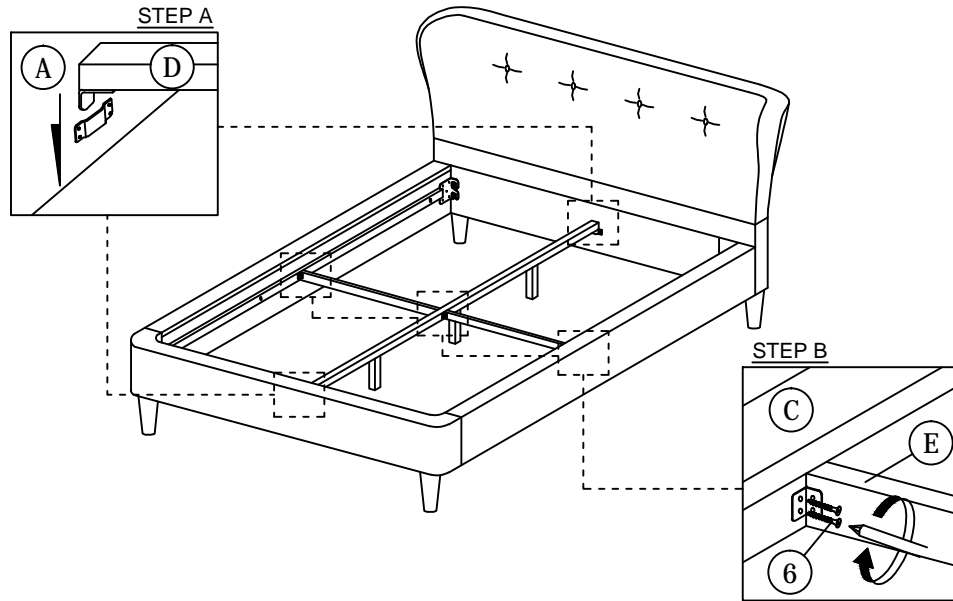
## STEP 6



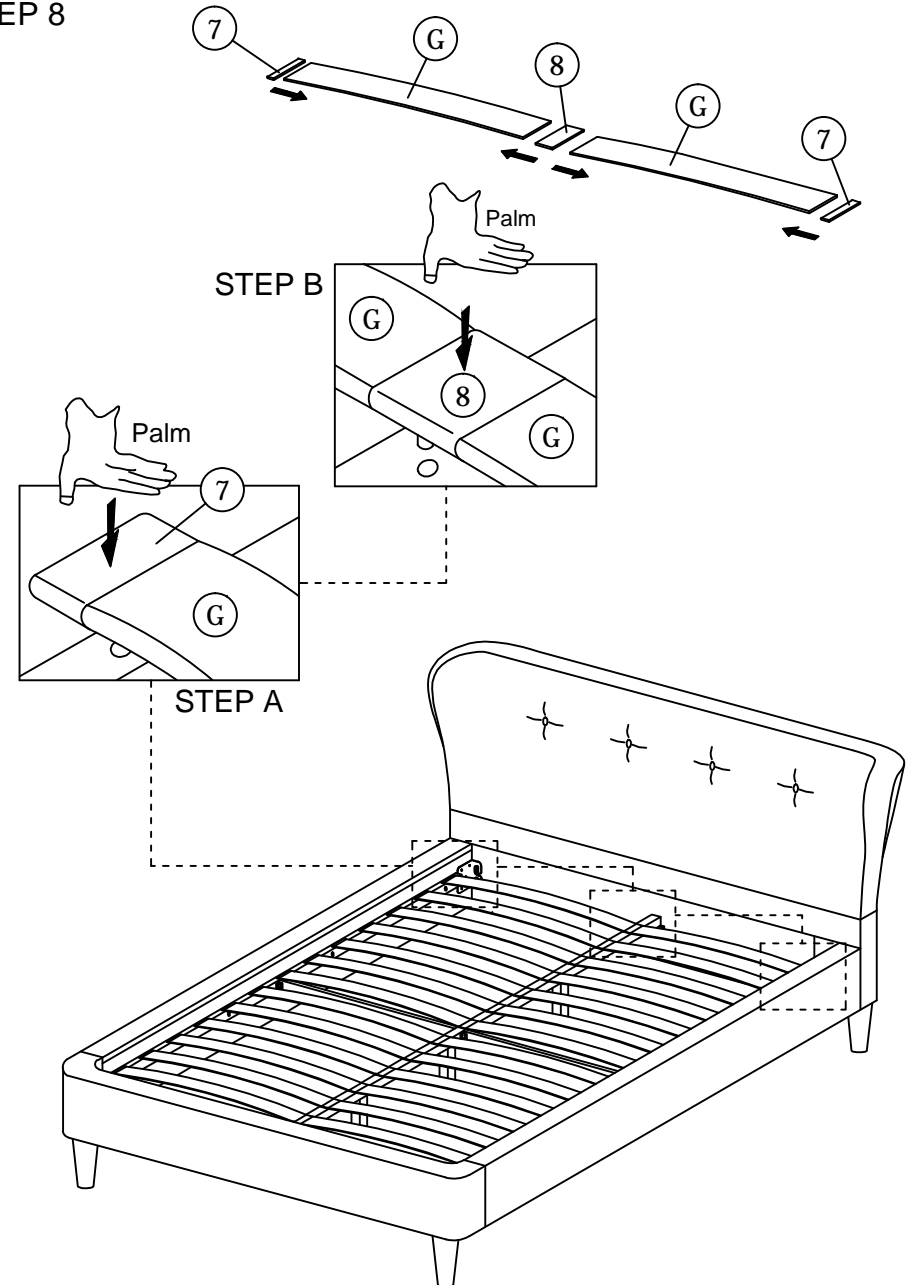
\*\*Finish step 5,  
Please screw tied the step 4 bolt.

# ASSEMBLY INSTRUCTIONS

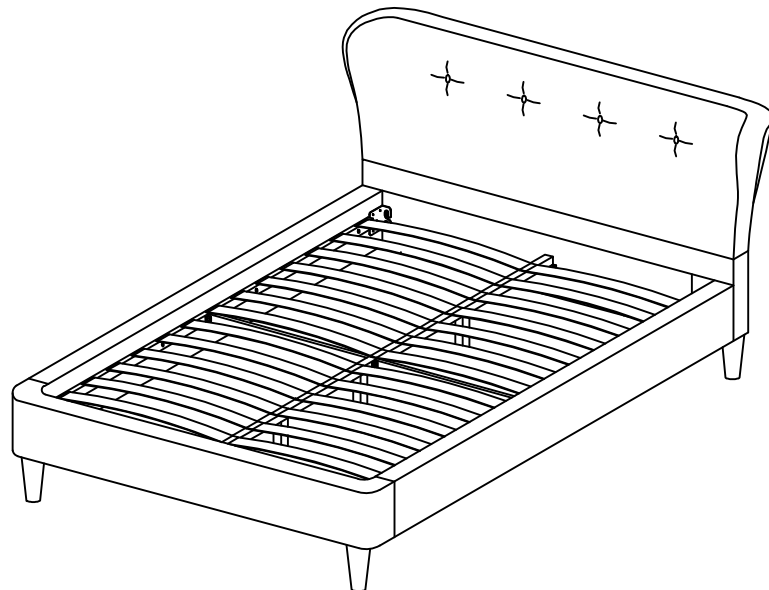
## STEP 7



## STEP 8



## STEP 9



\* When moving the bed position, the center support legs must be adjust to be straight to avoid any broken problem.