

Read this instruction carefully. See hardware and furniture part list for guidance. Be sure all parts are complete, before you assemble. Place all wooden furniture parts on a clean and flat soft surface to prevent from being scratched. Follow the figure to start assembling.

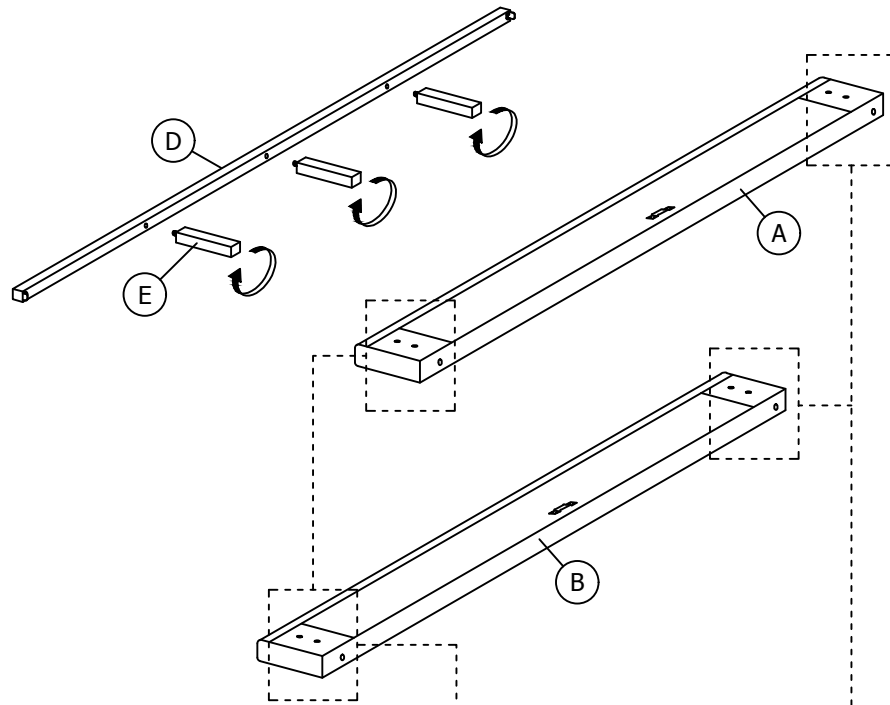
CAUTIONS : 1. Do not FULLY - TIGHTEN the nut or nut bolt until all nut or bolt is ready assembled.
2. Do not OVER - TIGHTEN the nut or bolt to avoid causing damages to the thread.
3. Keep all hardware parts out of reach of children.

NOTE : THE LIST AND QUANTITY SHOWN ARE FOR 1 UNIT ASSEMBLY.
Tool needed : Screwdriver (not provider).

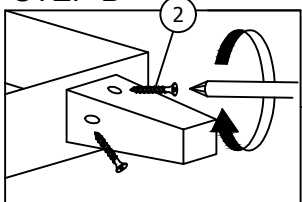
PART LIST		
ITEM	DESCRIPTION	QTY
A	HEADBOARD	1 PC
B	FOOTBOARD	1 PC
C	SIDE RAIL	2 PCS
D	CENTER RAIL	1 PC
E	CENTER SUPPORT LEG	3 PCS
F	CENTER SUPPORT	2 PCS
G	BED SLAT	26 PCS
H	BED LEG	4 PCS

HARDWARE LIST			
ITEM	DESCRIPTION		QTY
1	JCBB BOLT M8 x 30mm		8 PCS
2	WOOD SCREW M4 x 38mm		8 PCS
3	M5 ALLEN KEY (BALL SHAPE)		1 PC
4	PVC BLACK WASHER		4 PCS
5	WOOD SCREW M3.5 x 16mm		8 PCS
6	BED SLAT SIDE FITTER		26 PCS
7	BED SLAT CENTRE FITTER		13 PCS

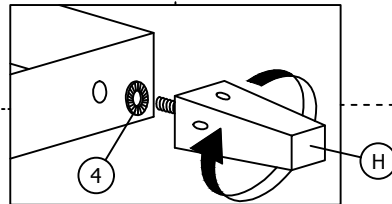
STEP 1



STEP B

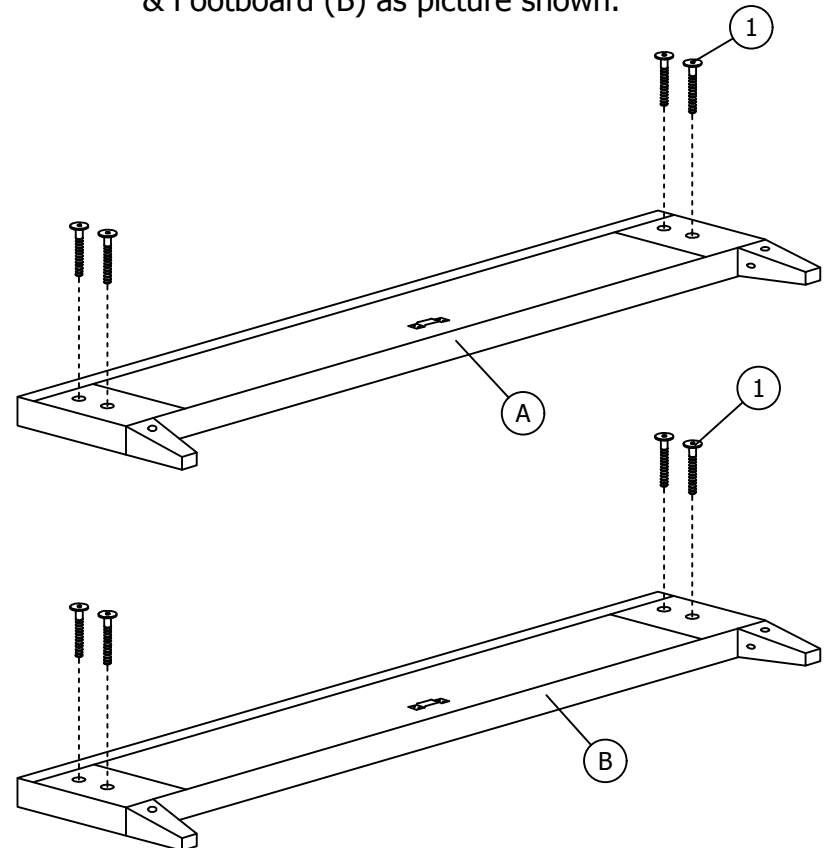


STEP A



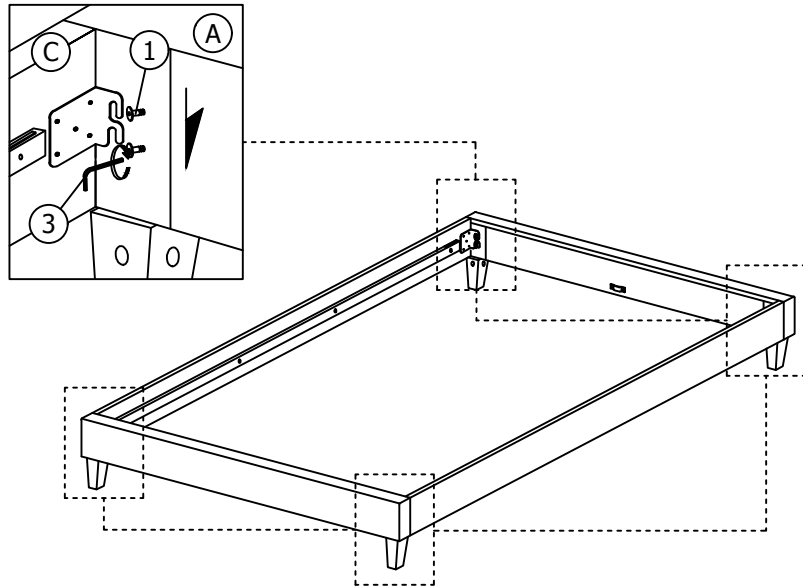
STEP 2

Loosely fit bolt (1) into Headboard (A) & Footboard (B) as picture shown.

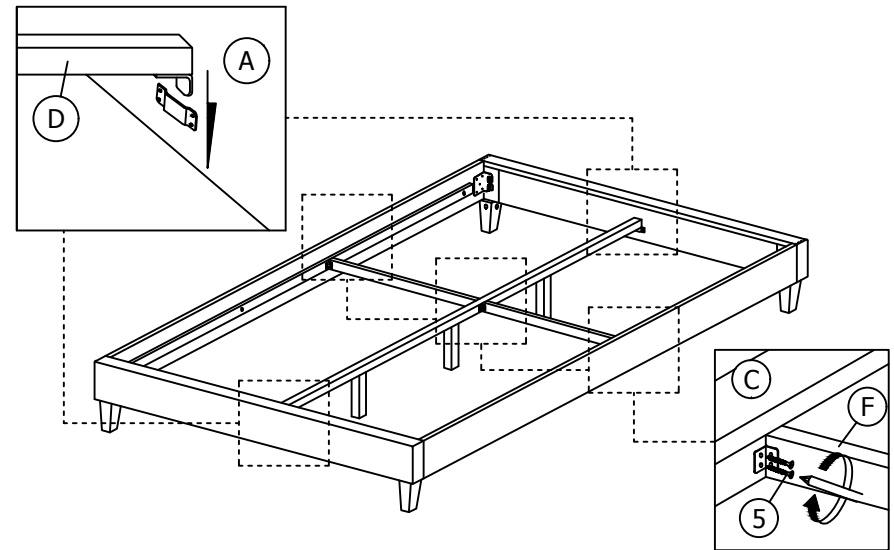


ASSEMBLY INSTRUCTIONS

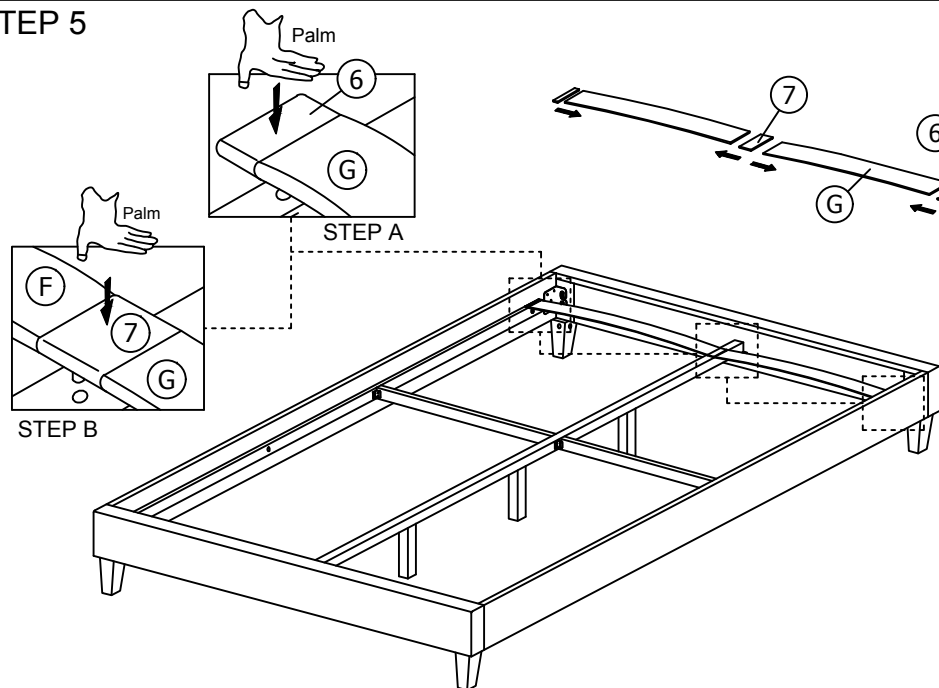
STEP 3



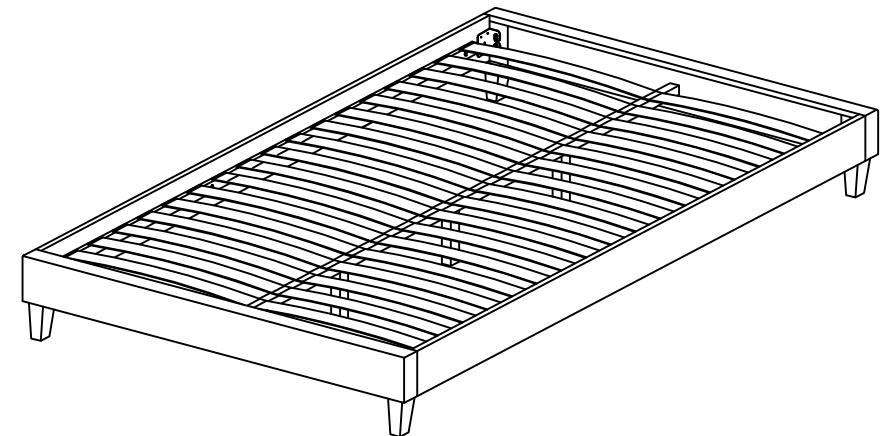
STEP 4



STEP 5



STEP 6



* When moving the bed position, the center support legs must be adjust to be straight to avoid any broken problem.