

ASSEMBLY INSTRUCTIONS

Read this instruction carefully. See hardware and furniture part list for guidance. Be sure all parts are complete, before you assemble. Place all wooden furniture parts on a clean and flat soft surface to prevent from being scratched. Follow the figure to start assembling.

CAUTIONS : 1. Do not FULLY - TIGHTEN the nut or nut bolt until all nut or bolt is ready assembled.
2. Do not OVER - TIGHTEN the nut or bolt to avoid causing damages to the thread.
3. Keep all hardware parts out of reach of children.

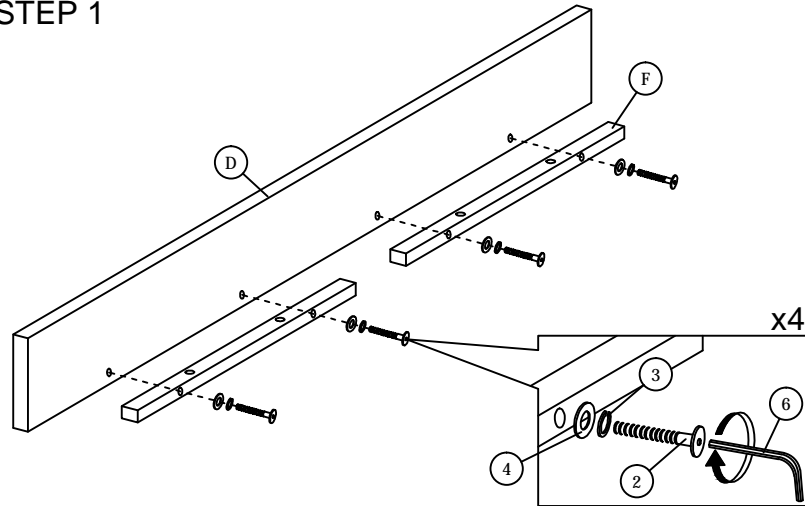
PART LIST		
ITEM	DESCRIPTION	QTY
A	SLAT	1 PC
B	SLAT WITH TRUNDLE	2 PCS
C	SLAT	4 PCS
D	DRAWER PANEL	1 PC
E	DRAWER SUPPORT WOOD	3 PCS
F	PANEL SUPPORT	2 PCS

HARDWARE LIST		
ITEM	DESCRIPTION	QTY
1	JCBC BOLT M6 x 35mm	13 PCS
2	JCBC BOLT M6 x 60mm	4 PCS
3	M6 SPRING WASHER	4 PCS
4	M6 FLAT WASHER	4 PCS
5	WOOD SCREW M4 x 38mm	16 PCS
6	M4 ALLEN KEY (BALL SHAPE)	1 PC

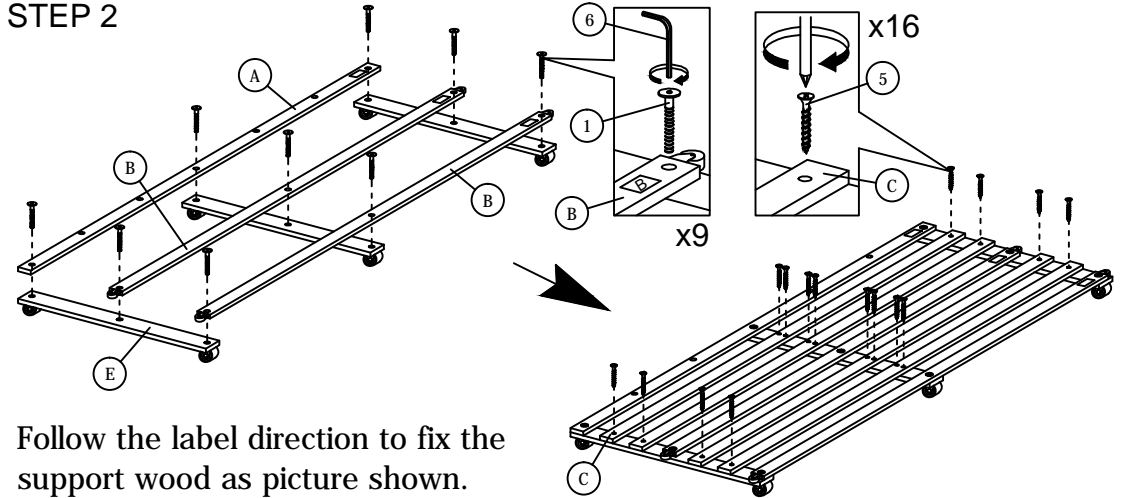
NOTE : THE LIST AND QUANTITY SHOWN ARE FOR 1 UNIT ASSEMBLY.

Tool needed : Screwdriver (not provider).

STEP 1



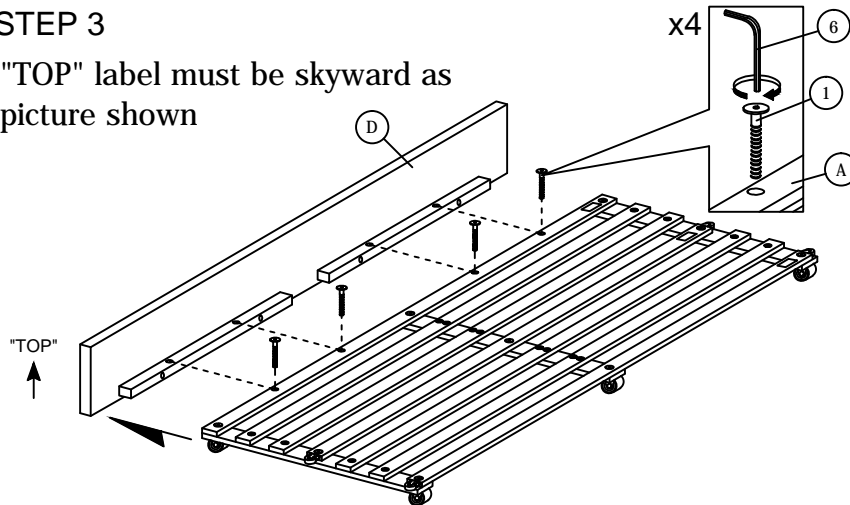
STEP 2



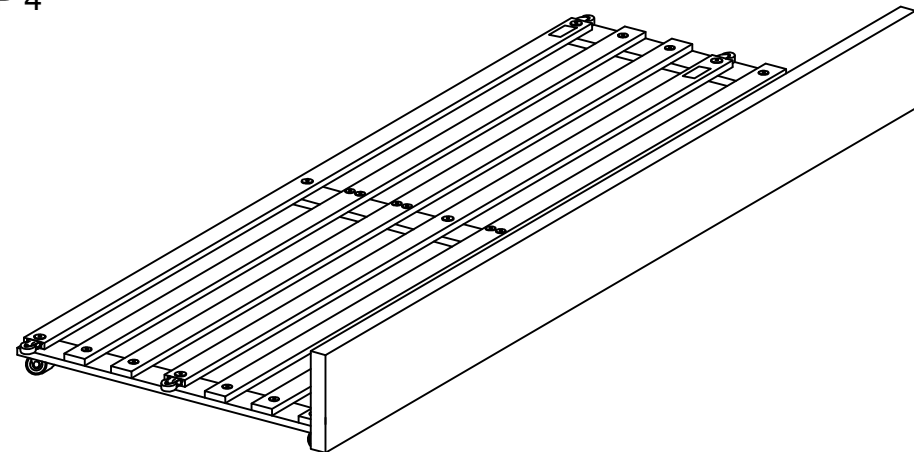
Follow the label direction to fix the support wood as picture shown.

STEP 3

"TOP" label must be skyward as picture shown



STEP 4



Read this instruction carefully. See hardware and furniture part list for guidance. Be sure all parts are complete, before you assemble. Place all wooden furniture parts on a clean and flat soft surface to prevent from being scratched. Follow the figure to start assembling.

CAUTIONS :

1. Do not FULLY - TIGHTEN the nut or nut bolt until all nut or bolt is ready assembled.
2. Do not OVER - TIGHTEN the nut or bolt to avoid causing damages to the thread.
3. Keep all hardware parts out of reach of children.

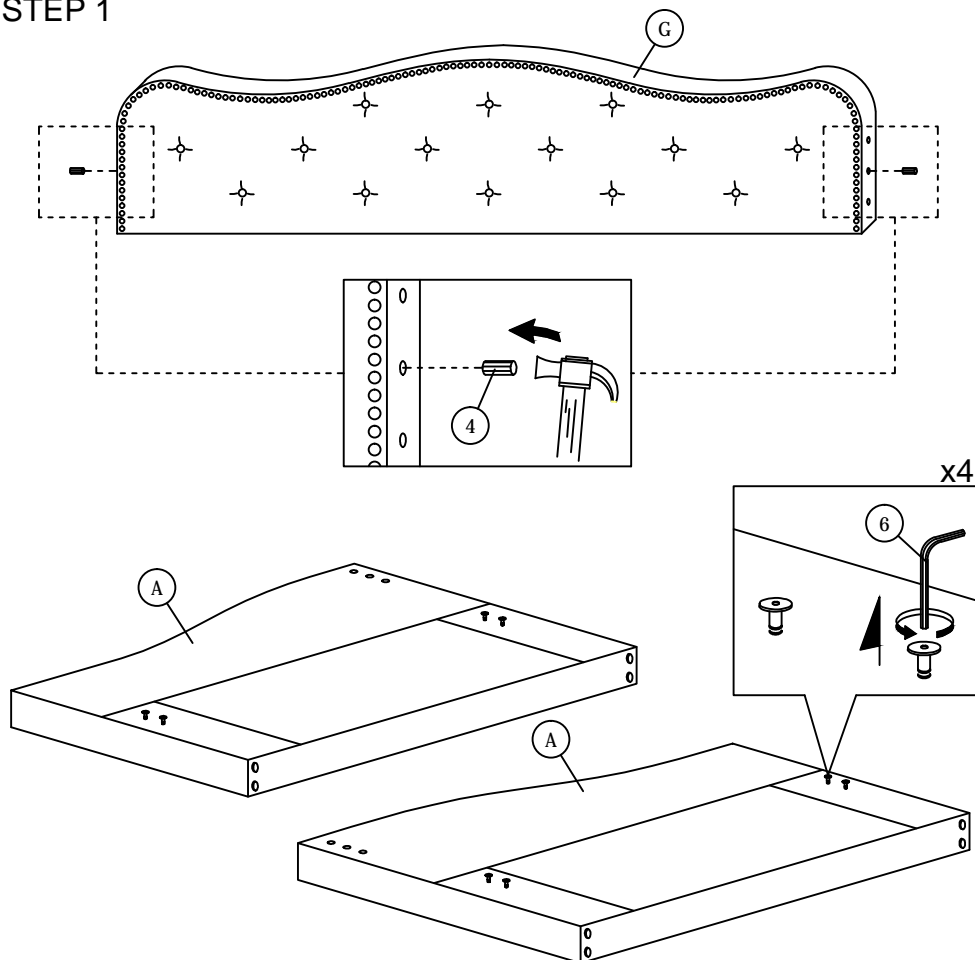
NOTE : THE LIST AND QUANTITY SHOWN ARE FOR 1 UNIT ASSEMBLY.

Tool needed : Screwdriver & Hammer (not provider).

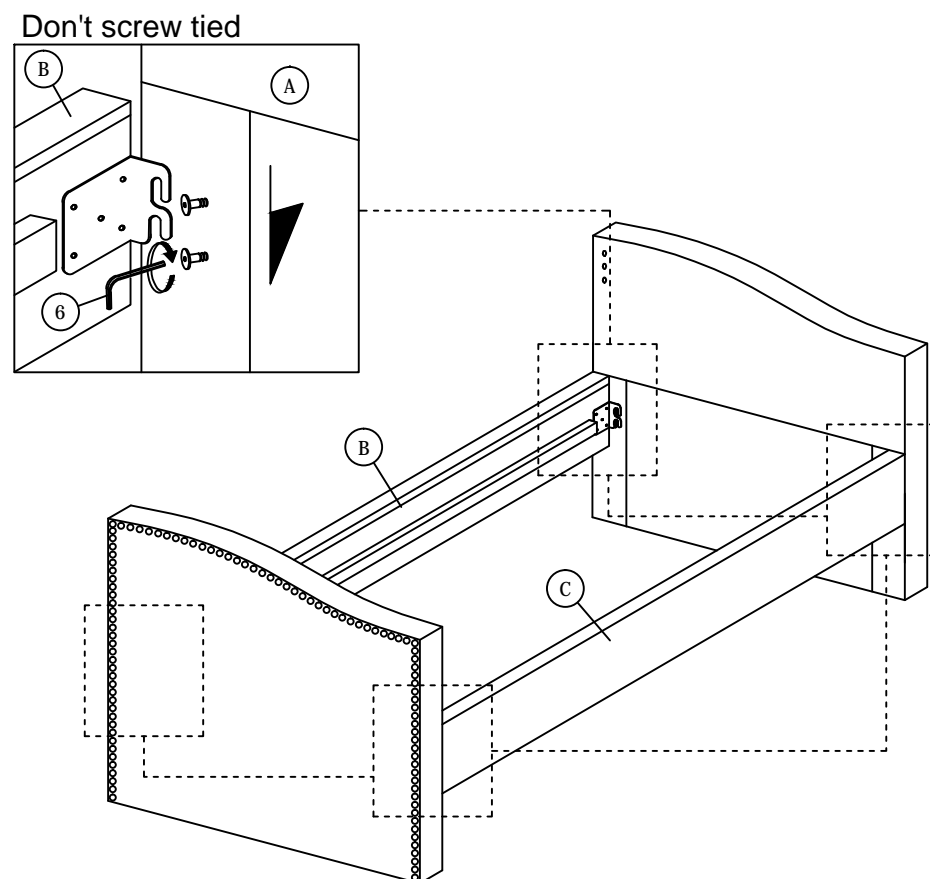
PART LIST		
ITEM	DESCRIPTION	QTY
A	ARM (LEFT & RIGHT)	2 PCS
B	SIDE RAIL (L)	1 PC
C	SIDE RAIL (R)	1 PC
D	DRAWER	1 PC
E	BED SLAT	12 PCS
F	CENTER SUPPORT	1 PC
G	SIDE PANEL	1 PC

HARDWARE LIST		
ITEM	DESCRIPTION	QTY
1	WOOD SCREW M3.5 x 16mm 	4 PCS
2	BED SLAT SIDE FITTER 	24 PCS
3	JCBC BOLT M6 x 50mm 	4 PCS
4	WOOD DOWEL M8 x 30mm 	2 PCS
5	M4 ALLEN KEY (BALL SHAPE) 	1 PC
6	M5 ALLEN KEY (BALL SHAPE) 	1 PC

STEP 1



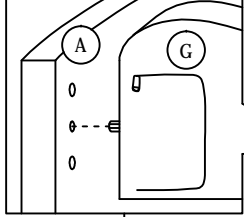
STEP 2



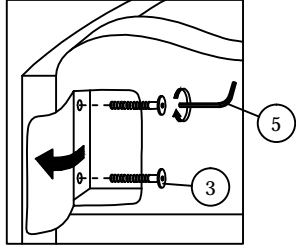
ASSEMBLY INSTRUCTIONS

STEP 3

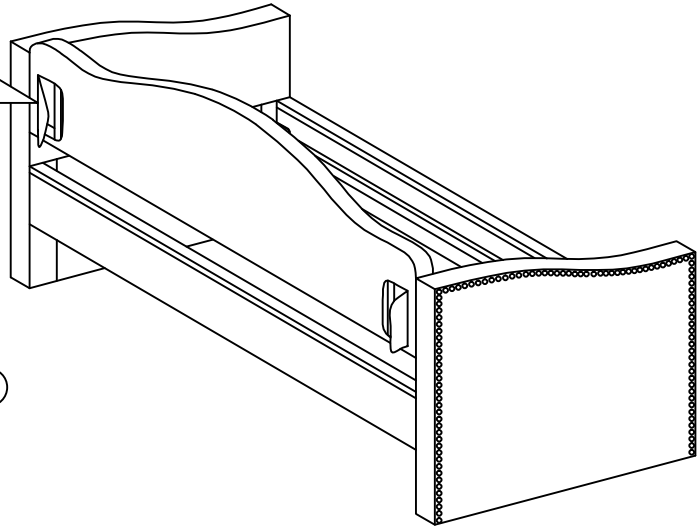
STEP A x2



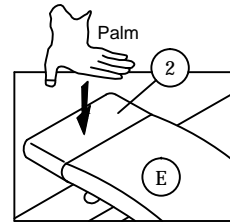
STEP B



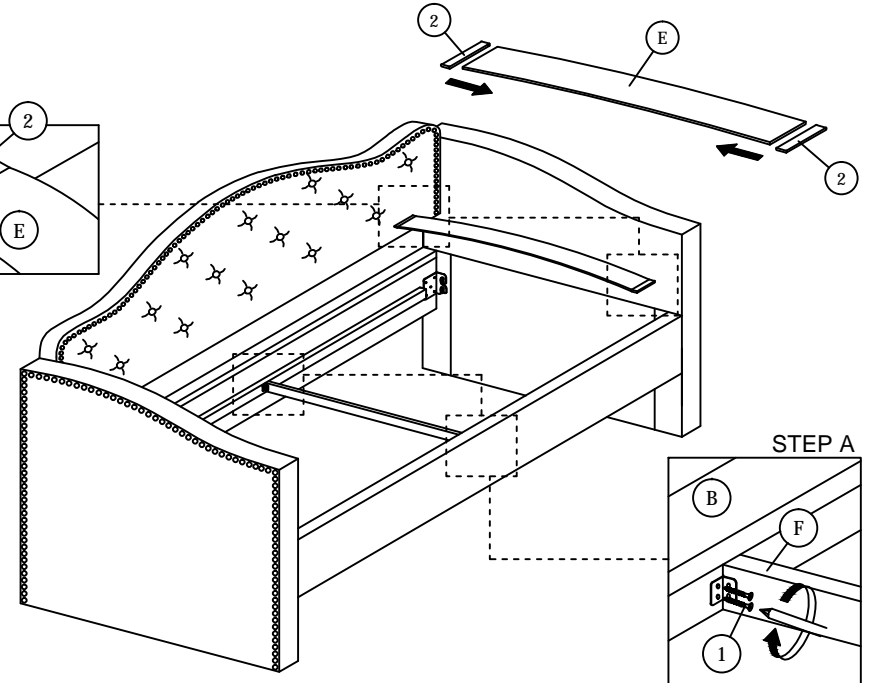
****Finish step 3,
Please screw tied the step 2 bolt.**



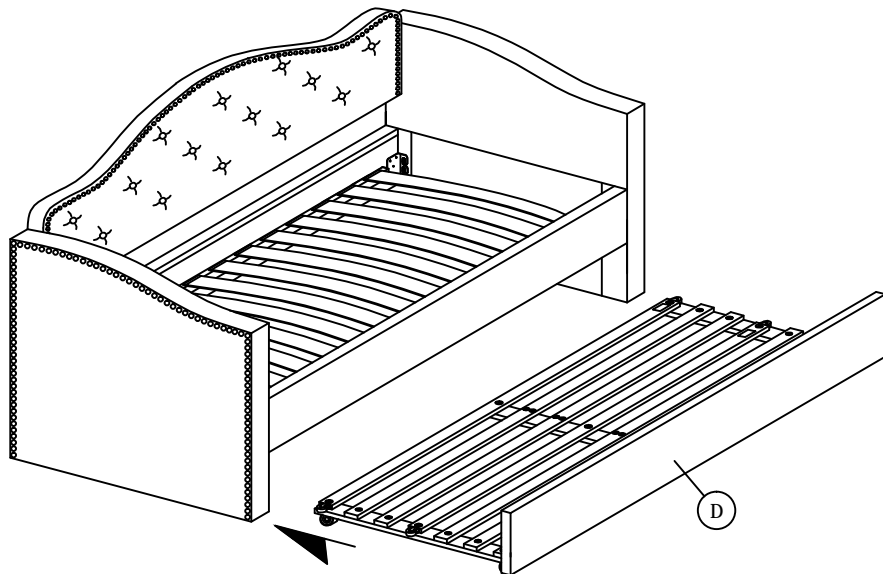
STEP 4



STEP B



STEP 5



STEP 6

