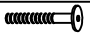
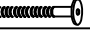
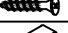







Read this instruction carefully. See hardware and furniture part list for guidance. Be sure all parts are complete, before you assemble. Place all wooden furniture parts on a clean and flat soft surface to prevent from being scratched. Follow the figure to start assembling.

**CAUTIONS :** 1. Do not FULLY - TIGHTEN the nut or nut bolt until all nut or bolt is ready assembled.  
 2. Do not OVER - TIGHTEN the nut or bolt to avoid causing damages to the thread.  
 3. Keep all hardware parts out of reach of children.

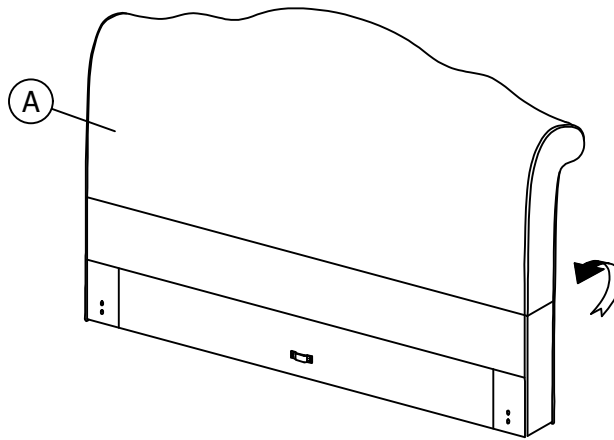
**NOTE :** THE LIST AND QUANTITY SHOWN ARE FOR 1 UNIT ASSEMBLY.  
 Tool needed : Screwdriver (not provider).

PART LIST		
ITEM	DESCRIPTION	QTY
A	HEADBOARD	1 PC
B	FOOTBOARD	1 PC
C	SIDE RAIL	2 PCS
D	CENTER RAIL	1 PC
E	CENTER SUPPORT	2 PCS
F	CENTER SUPPORT LEG	3 PCS
G	BED SLAT	26 PCS
H	BED LEG	4 PCS

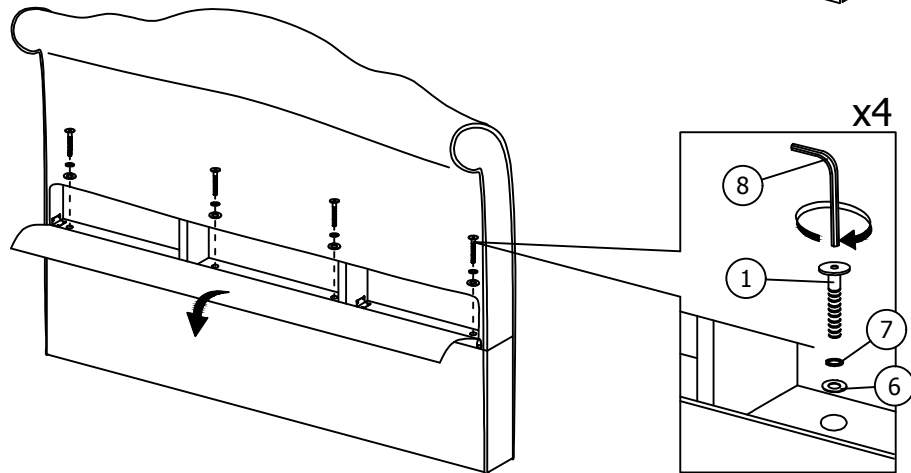
HARDWARE LIST		
ITEM	DESCRIPTION	QTY
1	JCBB BOLT M8 x 50mm 	4 PCS
2	JCBB BOLT M8 x 80mm 	16 PCS
3	WOOD SCREW M3.5 x 16mm 	8 PCS
4	BED SLAT SIDE FITTER 	26 PCS
5	BED SLAT CENTER FITTER 	13 PCS
6	M8 FLAT WASHER 	20 PCS
7	M8 SPRING WASHER 	20 PCS
8	M5 ALLEN KEY (BALL SHAPE) 	1 PC

## STEP 1

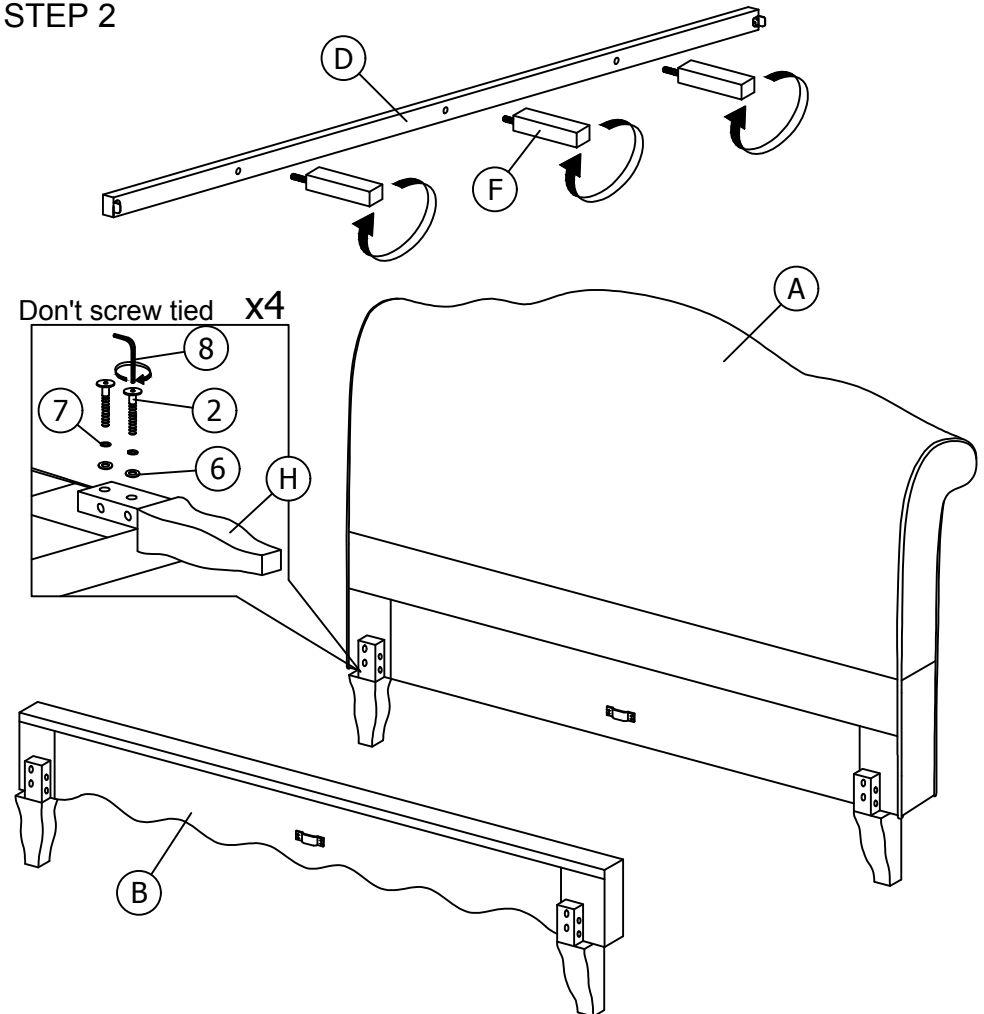
### STEP A FRONT VIEW



### STEP B BACK VIEW



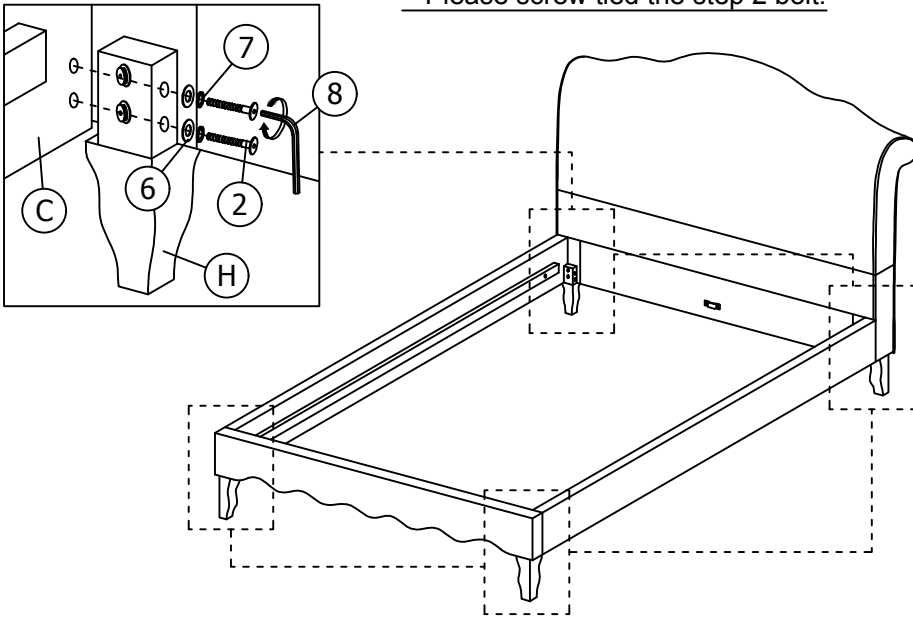
## STEP 2



# ASSEMBLY INSTRUCTIONS

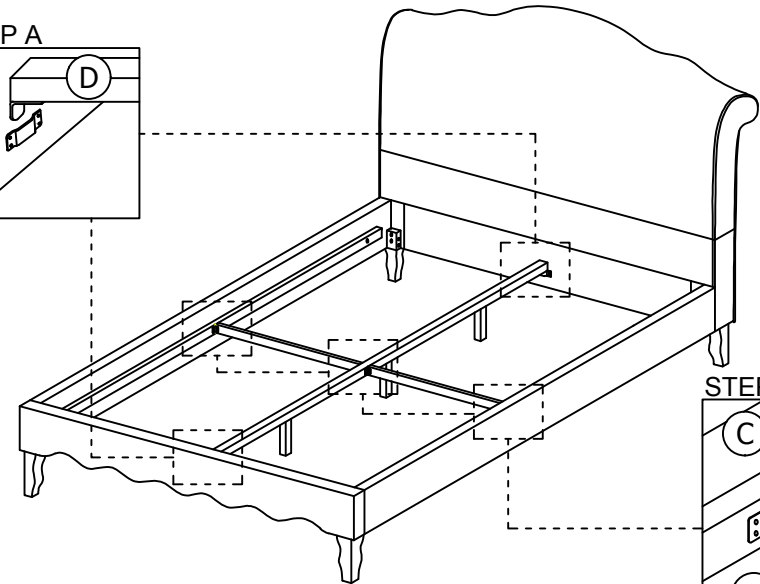
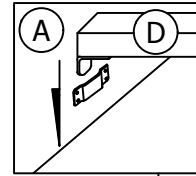
## STEP 3

**\*\*Finish step 3,  
Please screw tied the step 2 bolt.**

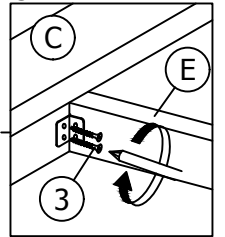


## STEP 4

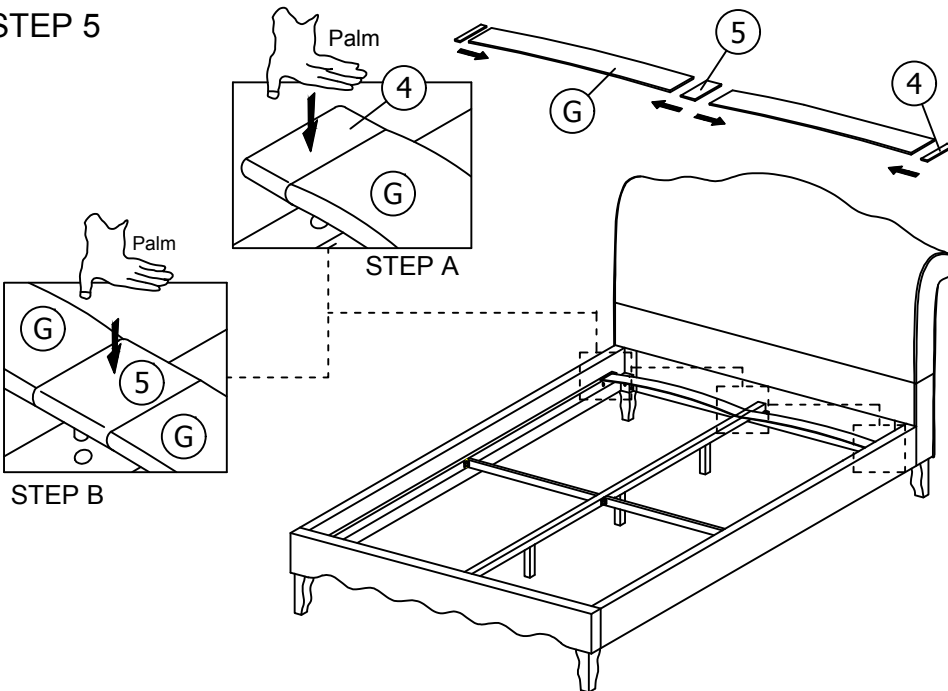
### STEP A



### STEP B



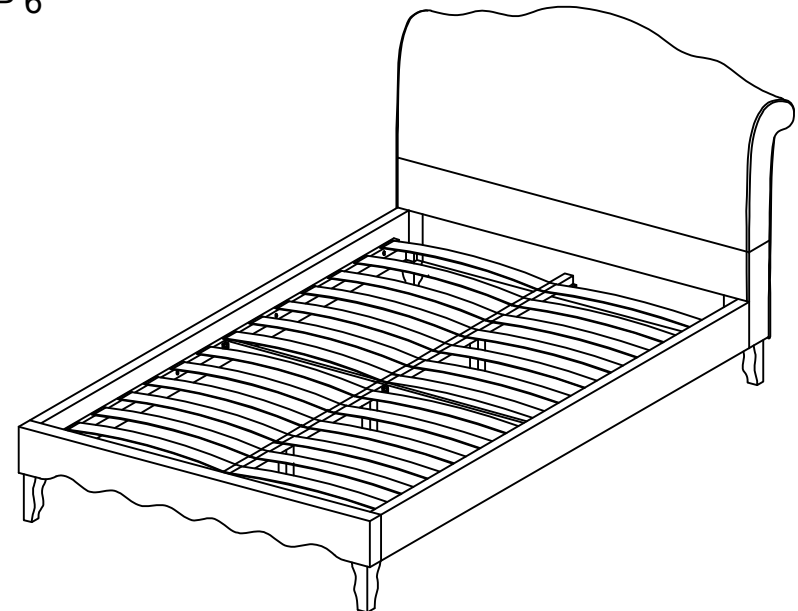
## STEP 5



### STEP A

### STEP B

## STEP 6



\* When moving the bed position, the center support legs must be adjust to be straight to avoid any broken problem.