
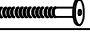
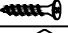



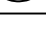



Read this instruction carefully. See hardware and furniture part list for guidance. Be sure all parts are complete, before you assemble. Place all wooden furniture parts on a clean and flat soft surface to prevent from being scratched. Follow the figure to start assembling.

CAUTIONS : 1. Do not FULLY - TIGHTEN the nut or nut bolt until all nut or bolt is ready assembled.
 2. Do not OVER - TIGHTEN the nut or bolt to avoid causing damages to the thread.
 3. Keep all hardware parts out of reach of children.

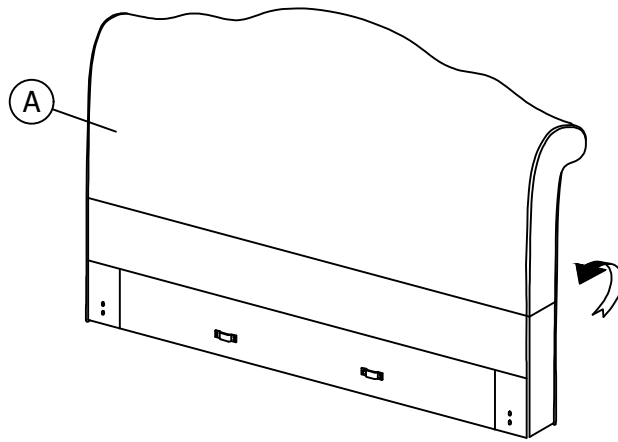
NOTE : THE LIST AND QUANTITY SHOWN ARE FOR 1 UNIT ASSEMBLY.
 Tool needed : Screwdriver (not provider).

PART LIST		
ITEM	DESCRIPTION	QTY
A	HEADBOARD	1 PC
B	FOOTBOARD	1 PC
C	SIDE RAIL	2 PCS
D	CENTER RAIL	2 PCS
E	CENTER SUPPORT	3 PCS
F	CENTER SUPPORT LEG	6 PCS
G	BED SLAT	39 PCS
H	BED LEG	4 PCS

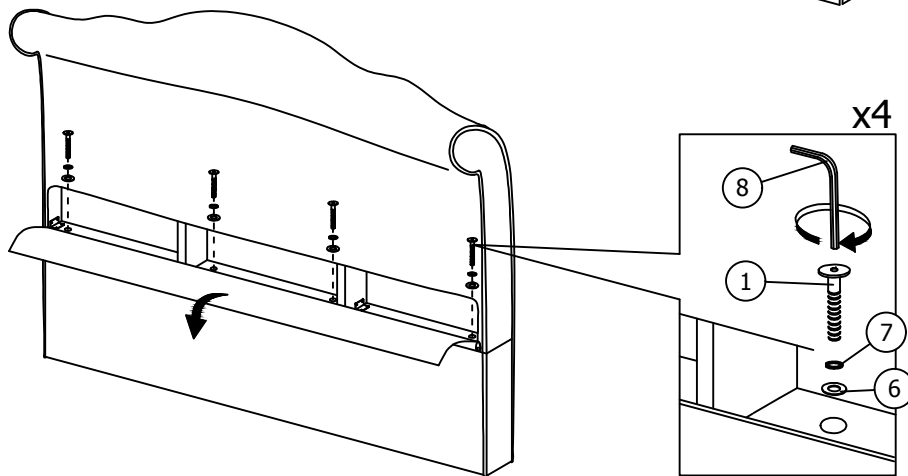
HARDWARE LIST		
ITEM	DESCRIPTION	QTY
1	JCBB BOLT M8 x 50mm 	4 PCS
2	JCBB BOLT M8 x 80mm 	16 PCS
3	WOOD SCREW M3.5 x 16mm 	12 PCS
4	BED SLAT SIDE FITTER 	26 PCS
5	BED SLAT CENTER FITTER 	26 PCS
6	M8 FLAT WASHER 	20 PCS
7	M8 SPRING WASHER 	20 PCS
8	M5 ALLEN KEY (BALL SHAPE) 	1 PC

STEP 1

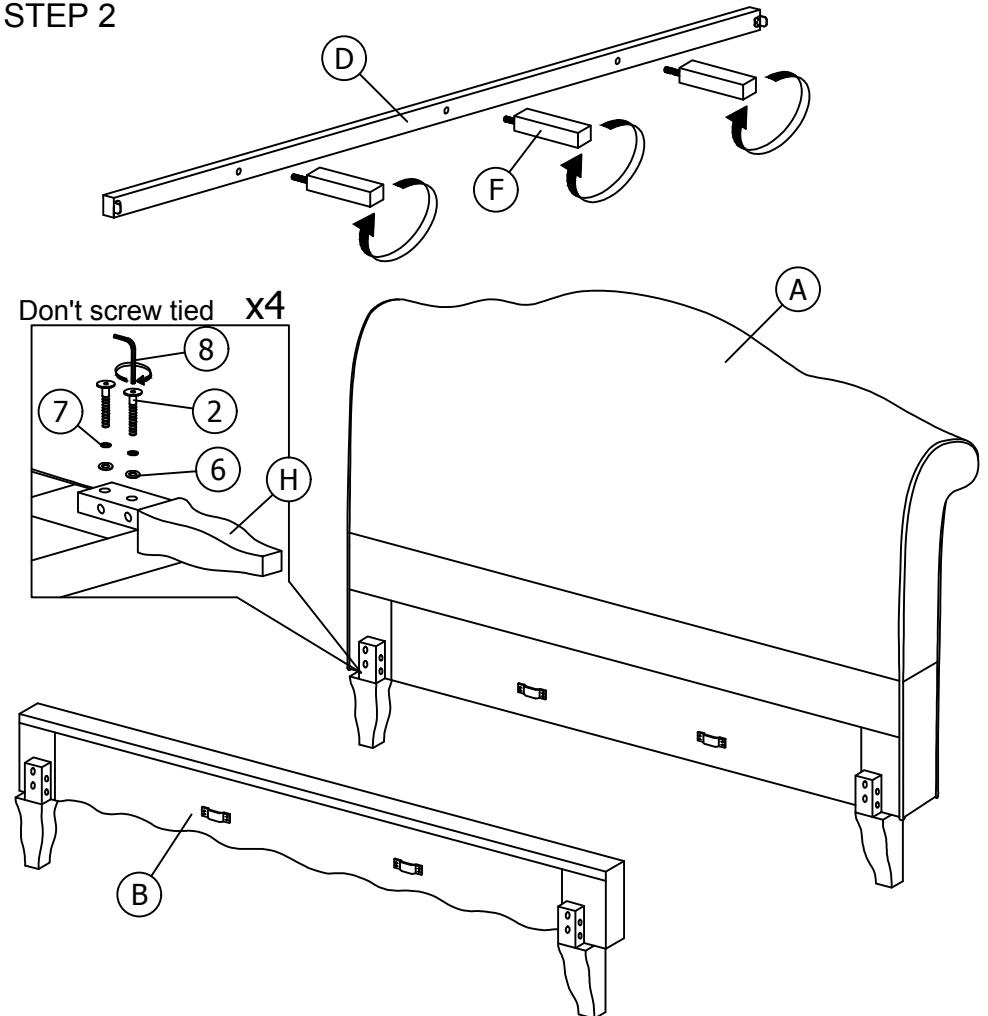
STEP A FRONT VIEW



STEP B BACK VIEW



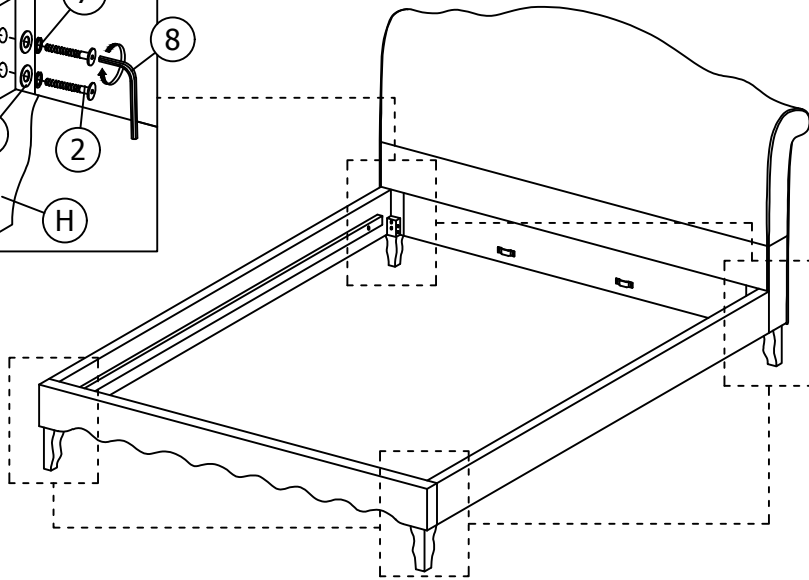
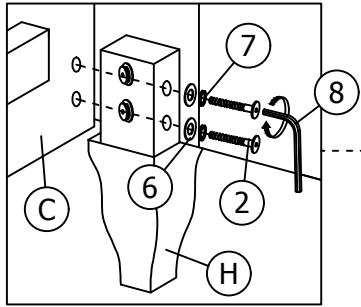
STEP 2



ASSEMBLY INSTRUCTIONS

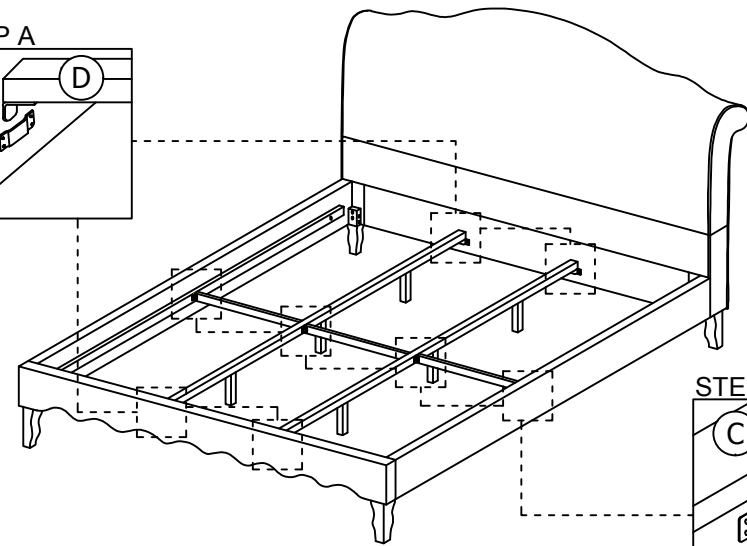
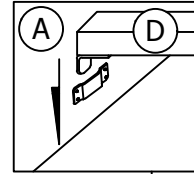
STEP 3

****Finish step 3,
Please screw tied the step 2 bolt.**

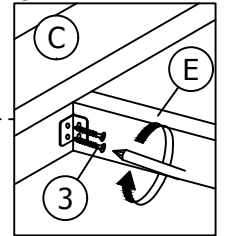


STEP 4

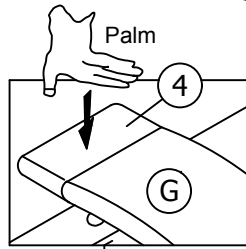
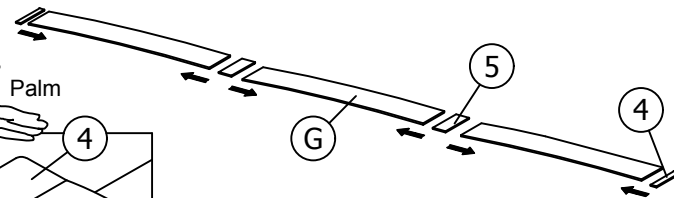
STEP A



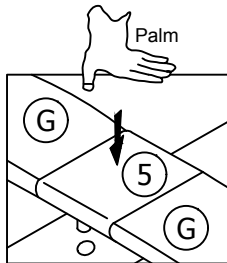
STEP B



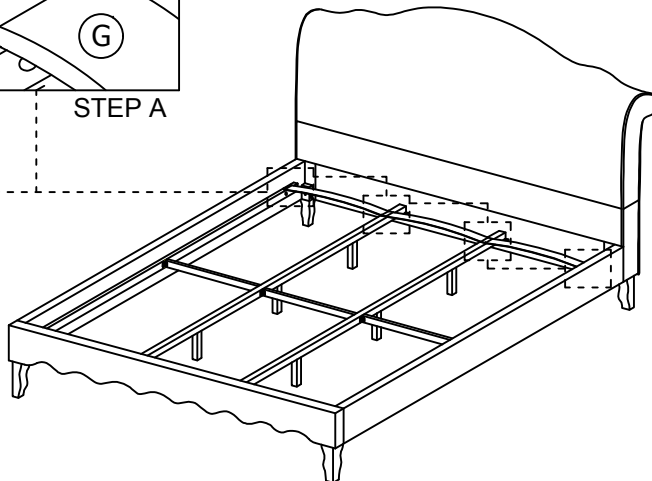
STEP 5



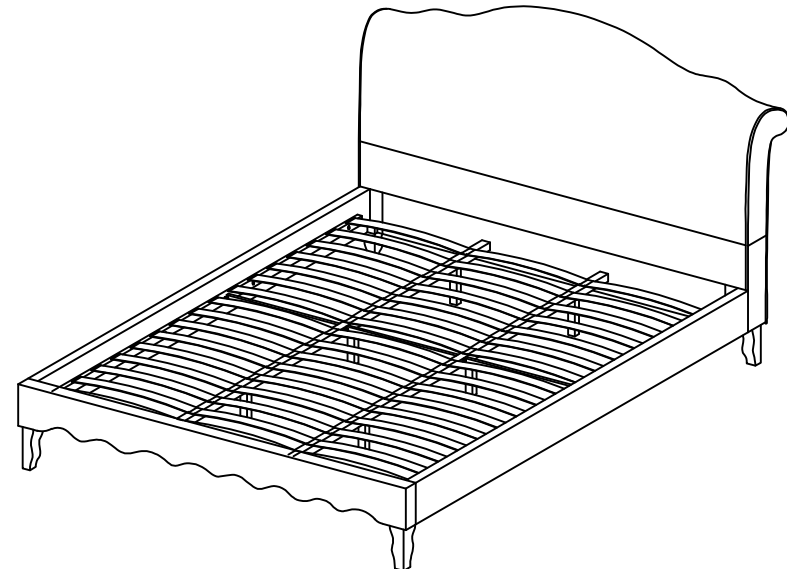
STEP A



STEP B



STEP 6



** When moving the bed position, the center support legs must be adjust to be straight to avoid any broken problem.*