

ASSEMBLY INSTRUCTIONS

MODEL : BBT 6431 HB (W1425 x H570 x T80mm)

Read this instruction carefully. See hardware and furniture part list for guidance. Be sure all parts are complete, before you assemble. Place all wooden furniture parts on a clean and flat soft surface to prevent from being scratched. Follow the figure to start assembling.

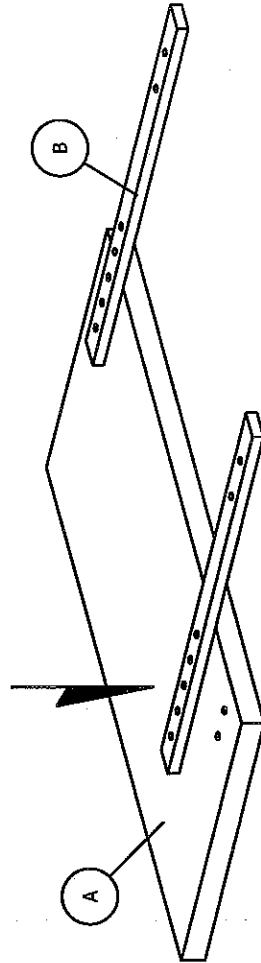
- CAUTIONS :**
1. Do not FULLY - TIGHTEN the nut or bolt until all nut or bolt is ready assembled.
 2. Do not OVER - TIGHTEN the nut or bolt to avoid causing damages to the thread.
 3. Keep all hardware parts out of reach of children.

NOTE : THE LIST AND QUANTITY SHOWN ARE FOR 1 UNIT ASSEMBLY.

| PART LIST | | |
|-----------|---------------|-------|
| ITEM | DESCRIPTION | QTY |
| A | HEADBOARD | 1 PC |
| B | SUPPORT BOARD | 2 PCS |

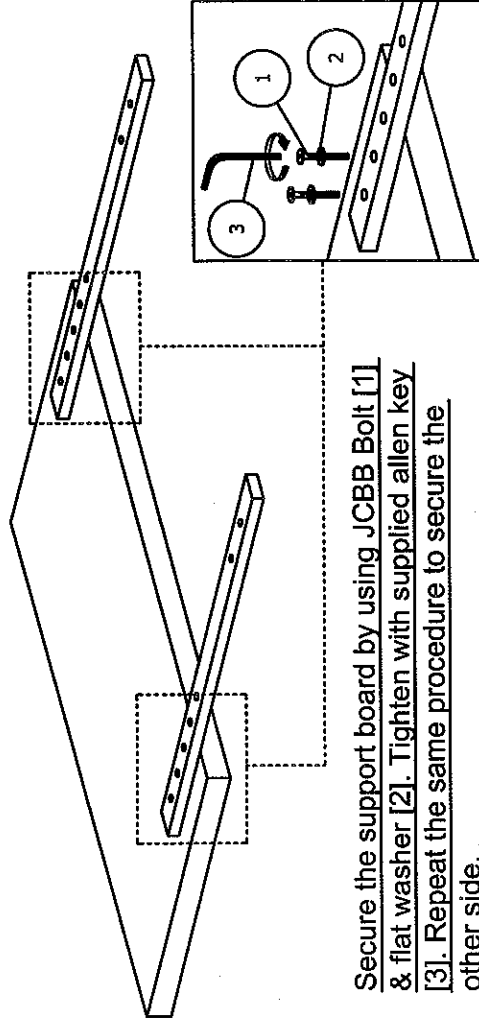
| PART LIST | | |
|-----------|---------------------|-------|
| ITEM | DESCRIPTION | QTY |
| 1 | JCBB BOLT M8 x 40mm | 4 PCS |
| 2 | M8 FLAT WASHER | 4 PCS |
| 3 | M5 ALLEN KEY | 1 PC |

STEP 1



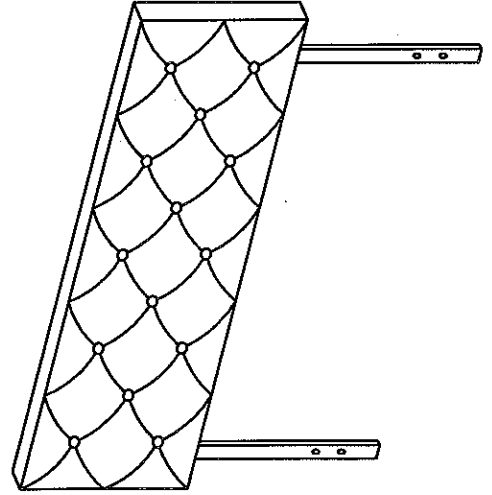
Align support board fixing holes over headboard fixing holes according to your desire height.

STEP 2



Secure the support board by using JCB Bolt [1] & flat washer [2]. Tighten with supplied allen key [3]. Repeat the same procedure to secure the other side.

STEP 3



Your headboard assembly is complete.

Note: Hardware may loose over time. Periodically check that all connections are tight.