

Read this instruction carefully. See hardware and furniture part list for guidance. Be sure all parts are complete, before you assemble. Place all wooden furniture parts on a clean and flat soft surface to prevent from being scratched. Follow the figure to start assembling.

CAUTIONS :

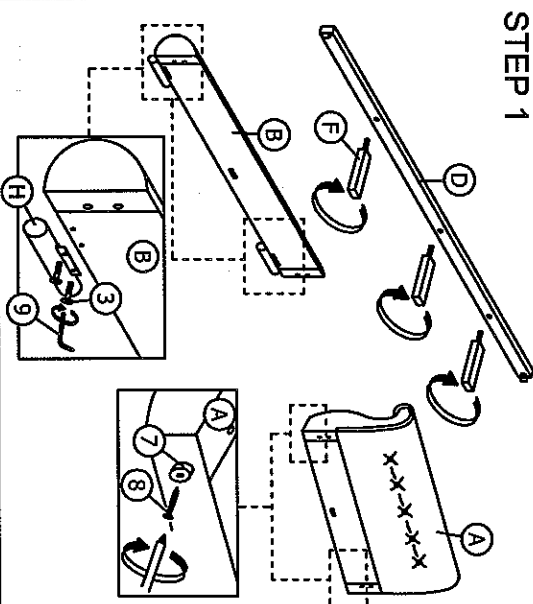
1. Do not FULLY - TIGHTEN the nut or nut bolt until all nut or bolt is ready assembled.
2. Do not OVER - TIGHTEN the nut or bolt to avoid causing damages to the thread.
3. Keep all hardware parts out of reach of children.

NOTE : THE LIST AND QUANTITY SHOWN ARE FOR 1 UNIT ASSEMBLY.

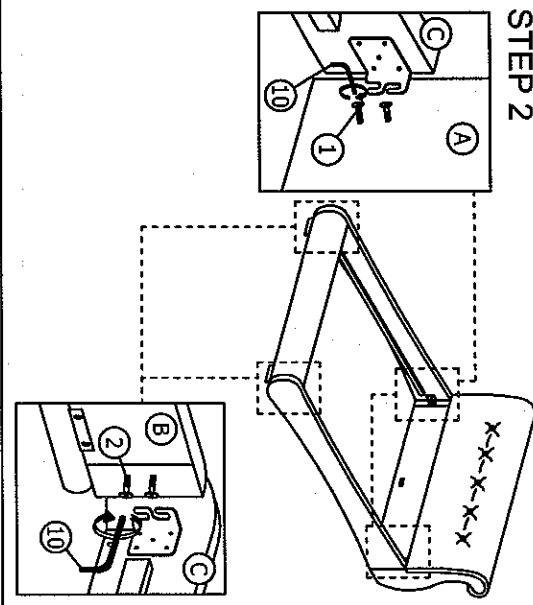
ITEM	PART LIST DESCRIPTION	QTY
A	HEADBOARD	1 PC
B	FOOTBOARD	1 PC
C	SIDE RAIL	2 PCS
D	CENTER RAIL	1 PC
E	CENTER SUPPORT	2 PCS
F	CENTER SUPPORT LEG	3 PCS
G	BED SLAT	26 PCS
H	BED LEG	2 PCS

ITEM	PART LIST DESCRIPTION	QTY
1	JCBB BOLT M8 x 40mm	4 PCS
2	JCBB BOLT M8 x 30mm	4 PCS
3	JCBB BOLT M6 x 20mm	4 PCS
4	WOOD SCREW M3.5 x 16mm	8 PCS
5	BED SLAT SIDE FITTER	26 PCS
6	BED SLAT CENTER FITTER	13 PCS
7	25mm SOFA LEG	2 PCS
8	WOOD SCREW M4 x 32mm	2 PCS
9	M4 ALLEN KEY	1 PC
10	M5 ALLEN KEY	1 PC

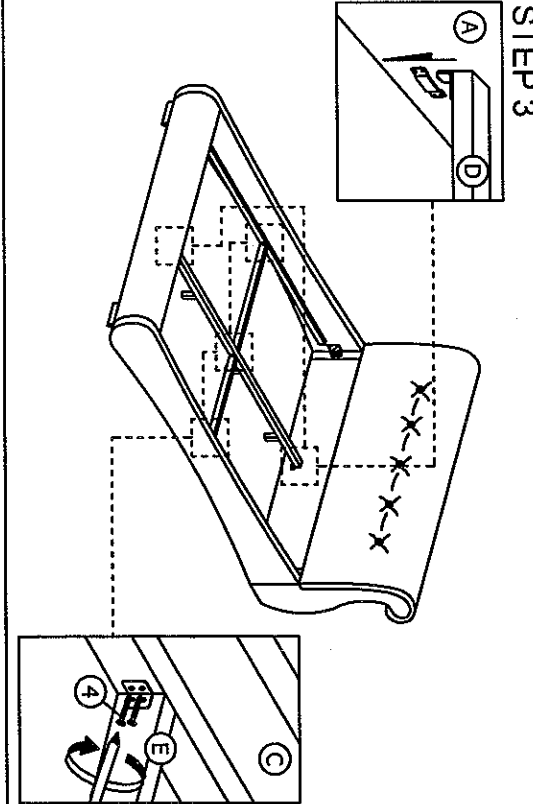
STEP 1



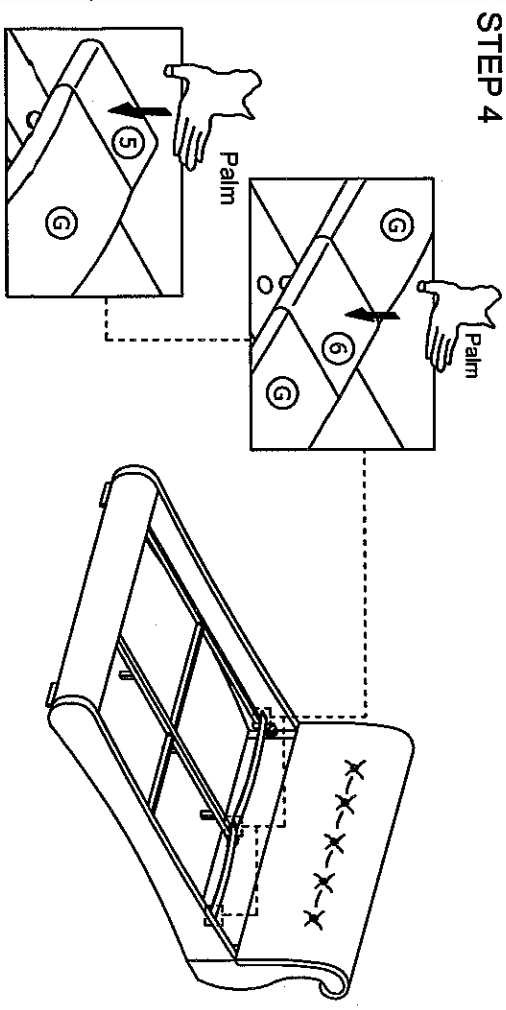
STEP 2



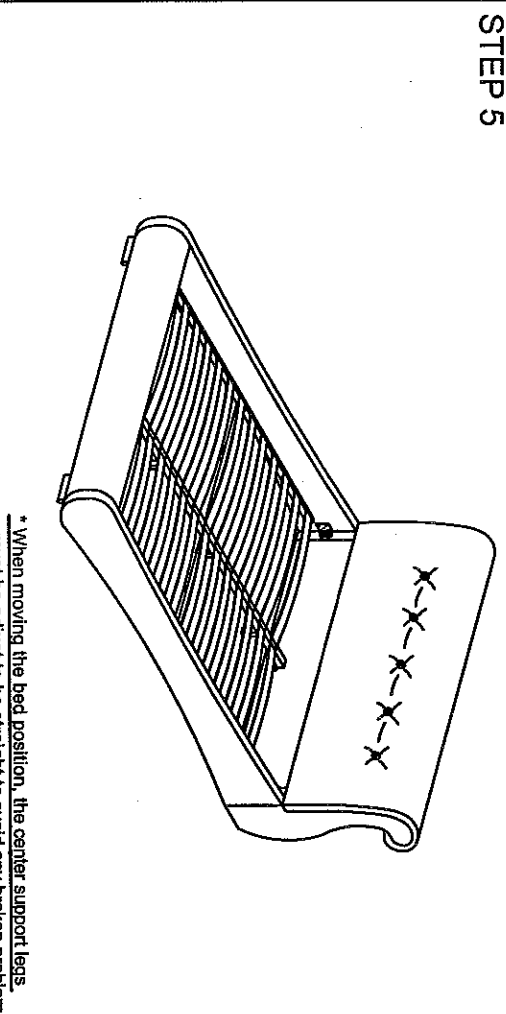
STEP 3



STEP 4



STEP 5



*When moving the bed position, the center support legs must be adjust to be straight to avoid any broken problem.