

MODEL : BBT6347 5' Bed

ASSEMBLY INSTRUCTIONS

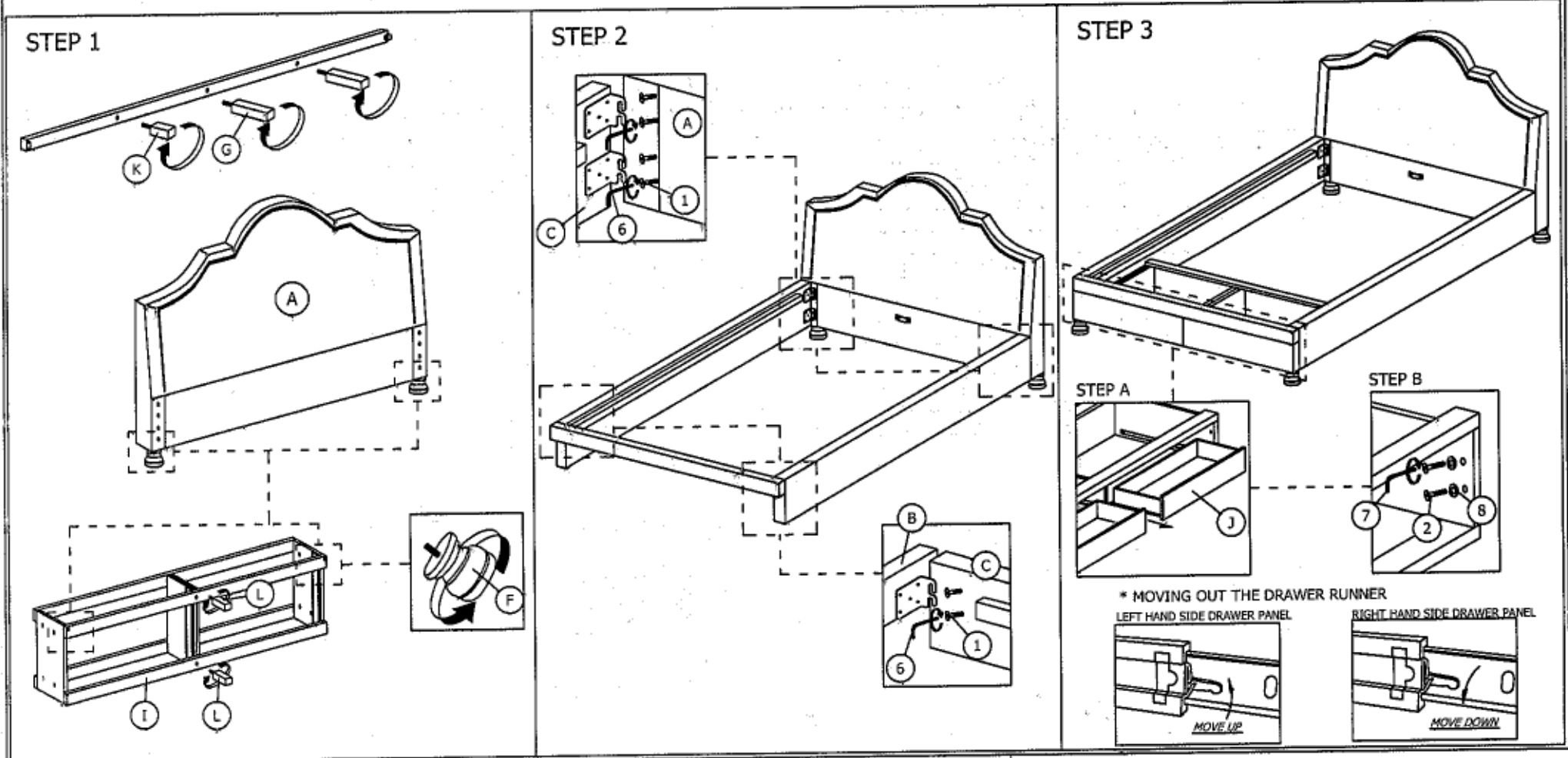
Read this instruction carefully. See hardware and furniture part list for guidance. Be sure all parts are complete, before you assemble. Place all wooden furniture parts on a clean and flat soft surface to prevent from being scratched. Follow the figure to start assembling.

CAUTIONS : 1. Do not FULLY - TIGHTEN the nut or nut bolt until all nut or bolt is ready assembled.
2. Do not OVER - TIGHTEN the nut or bolt to avoid causing damages to the thread.
3. Keep all hardware parts out of reach of children.

NOTE : THE LIST AND QUANTITY SHOWN ARE FOR 1 UNIT ASSEMBLY.

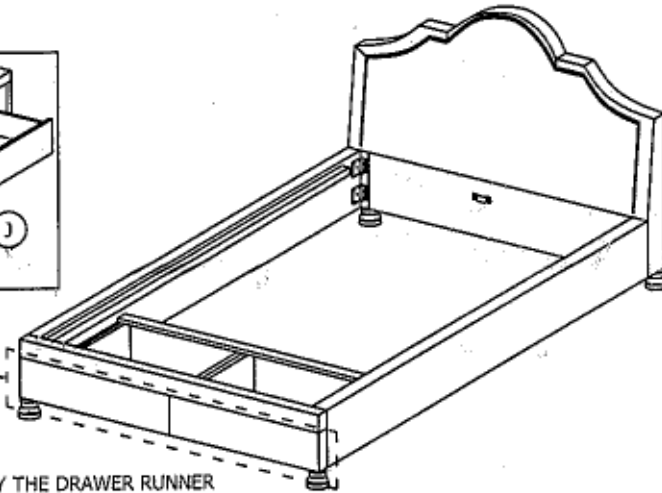
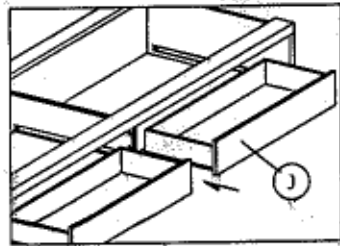
PART LIST		
ITEM	DESCRIPTION	QTY
A	HEADBOARD	1 PC
B	FOOTBOARD	1 PC
C	SIDE RAIL	2 PCS
D	CENTER RAIL	1 PC
E	CENTER SUPPORT	2 PCS
F	BED LEG	4 PCS
G	CENTER SUPPORT LEG (LONG)	2 PCS
H	BED SLAT	26 PCS
I	DRAWER BOX	1 PC
J	DRAWER	2 PCS
K	CENTER SUPPORT LEG (SHORT)	1 PC
L	DRAWER BOX SUPPORT LEG	2 PCS

PART LIST		
ITEM	DESCRIPTION	QTY
1	JCBB BOLT M8 x 30MM	12 PCS
2	JCBC BOLT M6 x 45MM	8 PCS
3	WOOD SCREW M3.5 x 16MM	8 PCS
4	BED SLAT CENTER FITTER	13 PCS
5	BED SLAT SIDE FITTER	26 PCS
6	M5 ALLEN KEY	1 PC
7	M4 ALLEN KEY	1 PC
8	M6 FLAT WASHER	8 PCS



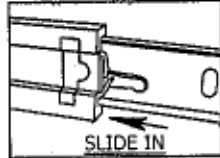
ASSEMBLY INSTRUCTIONS

STEP 4

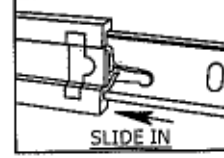


* ASSEMBLY THE DRAWER RUNNER

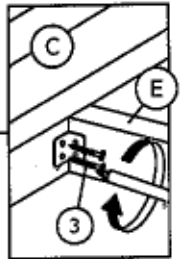
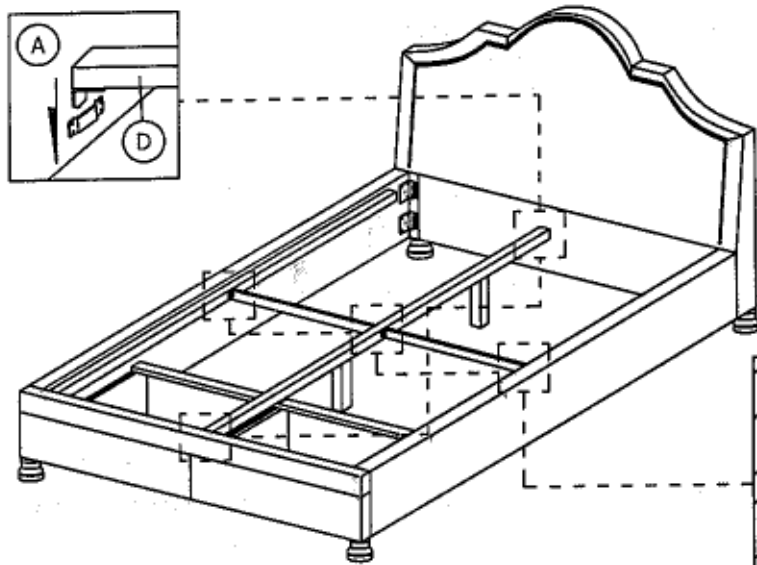
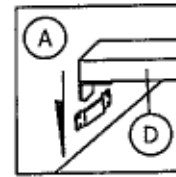
LEFT HAND SIDE DRAWER PANEL



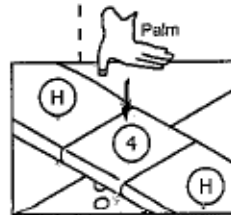
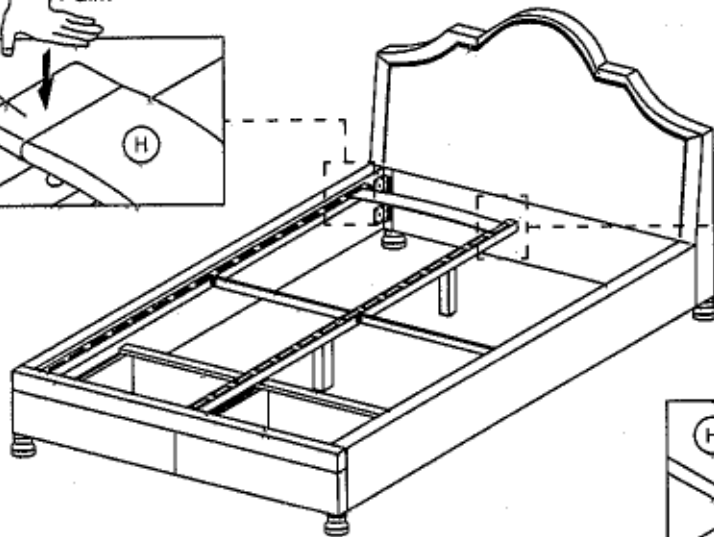
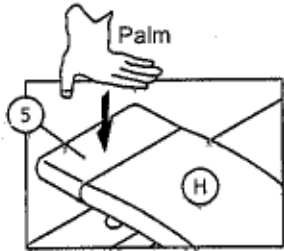
RIGHT HAND SIDE DRAWER PANEL



STEP 5



STEP 6



STEP 7

