

Read this instruction carefully. See hardware and furniture part list for guidance. Be sure all parts are complete, before you assemble. Place all wooden furniture parts on a clean and flat soft surface to prevent from being scratched. Follow the figure to start assembling.

**CAUTIONS :**

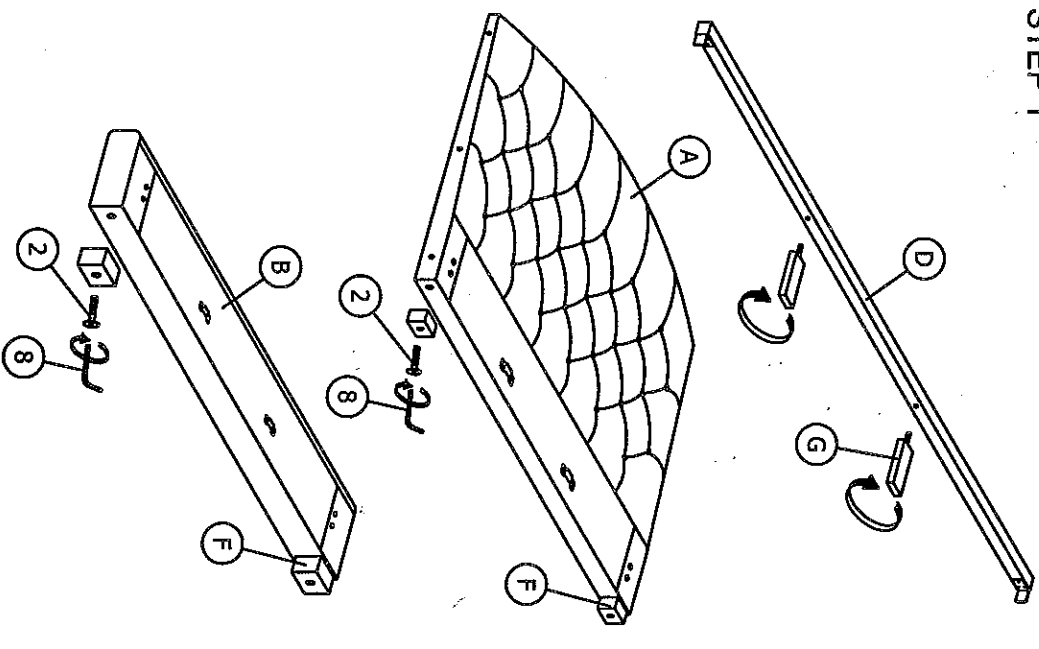
1. Do not FULLY - TIGHTEN the nut or nut bolt until all nut or bolt is ready assembled.
2. Do not OVER - TIGHTEN the nut or bolt to avoid causing damages to the thread.
3. Keep all hardware parts out of reach of children.

NOTE : THE LIST AND QUANTITY SHOWN ARE FOR 1 UNIT ASSEMBLY.

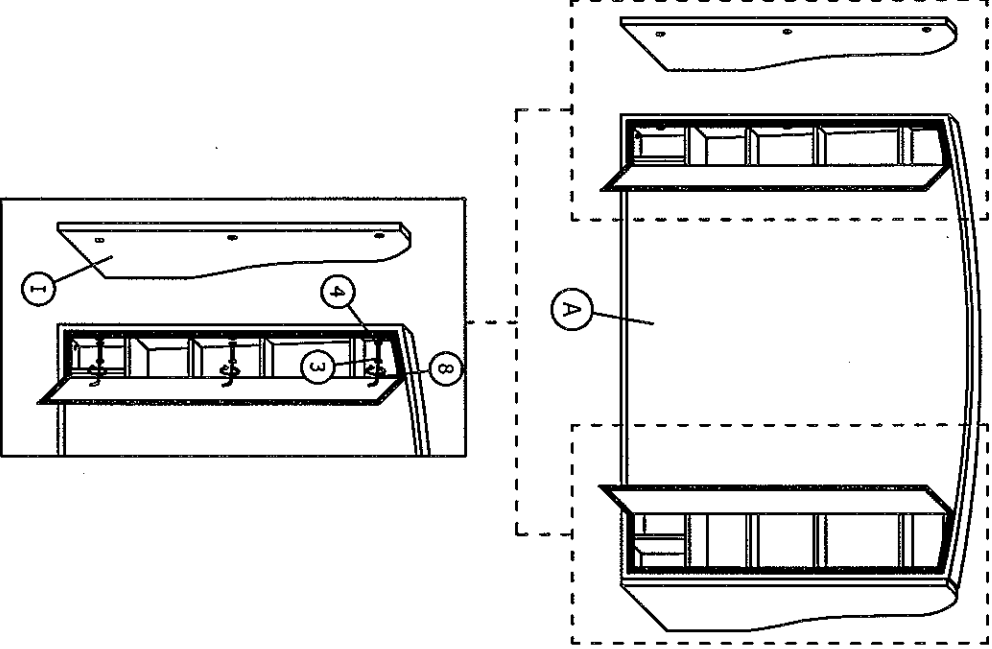
PART LIST		
ITEM	DESCRIPTION	QTY
A	HEADBOARD	1 PC
B	FOOTBOARD	1 PC
C	SIDE RAIL	2 PCS
D	CENTER RAIL	2 PCS
E	CENTER SUPPORT	3 PCS
F	BED LEG	4 PCS
G	CENTER SUPPORT LEG	4 PCS
H	BED SLAT	39 PCS
I	HEADBOARD BESIDE (L&R)	2 PCS

PART LIST		
ITEM	DESCRIPTION	QTY
1	ICBB BOLT M8 X 40mm	8 PCS
2	ICBC BOLT M6 X 35mm	4 PCS
3	ICBC BOLT M6 X 45mm	6 PCS
4	M6 FLAT WASHER	6 PCS
5	WOOD SCREW M3.5 X 16mm	12 PCS
6	BED SLAT SIDE FITTER	26 PCS
7	BED SLAT CENTER FITTER	26 PCS
8	M4 ALLEN KEY	1 PC
9	M5 ALLEN KEY	1 PC

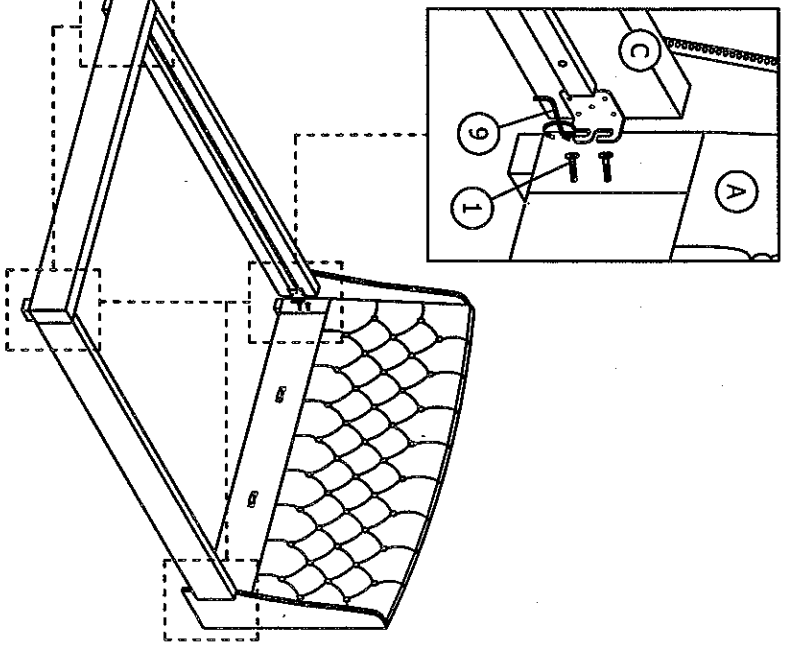
**STEP 1**



**STEP 2**

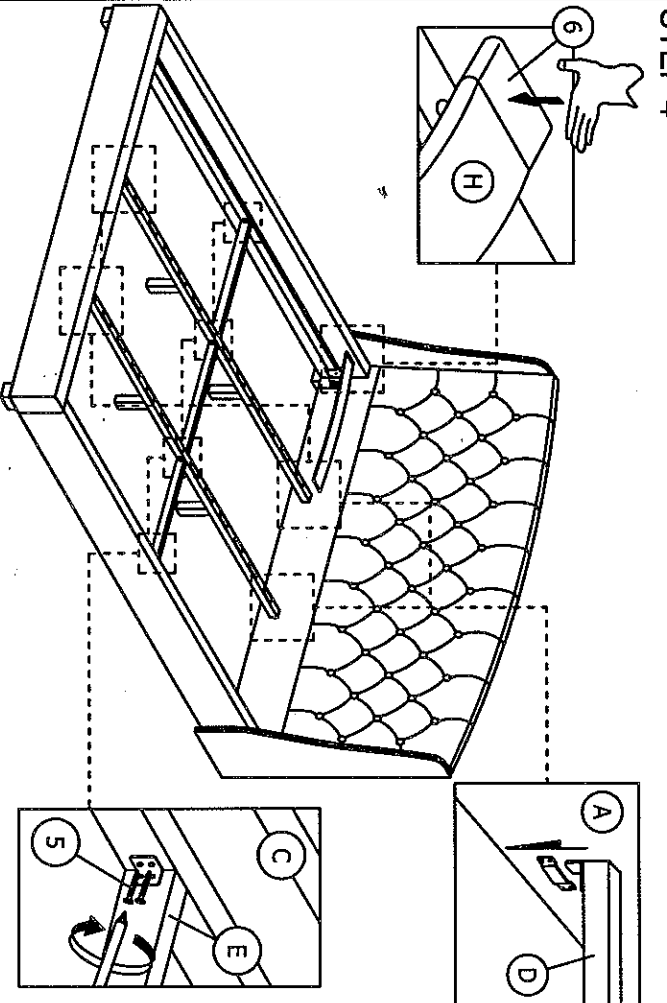


**STEP 3**

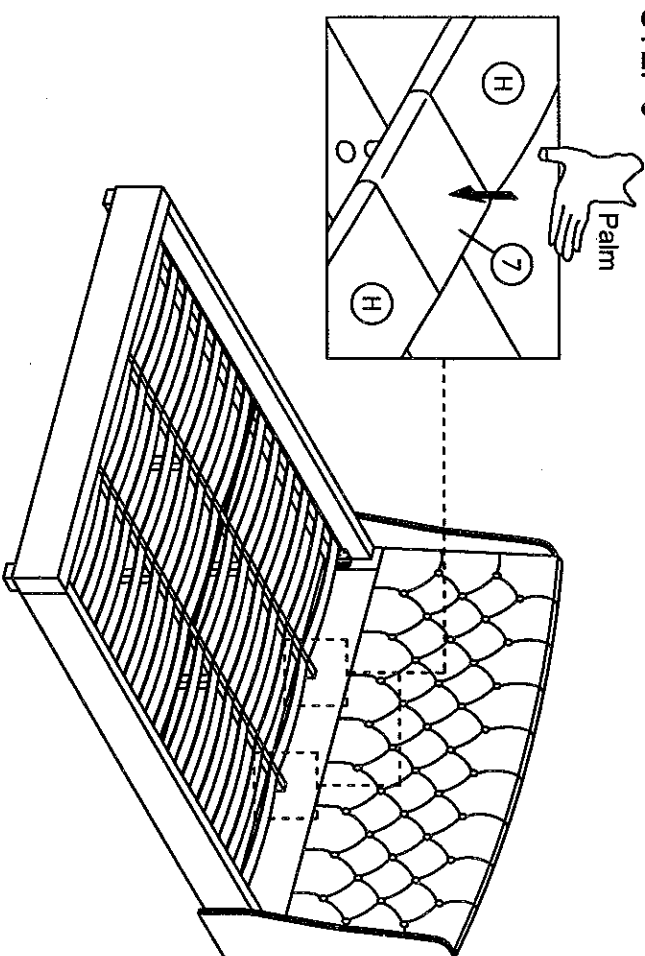


# ASSEMBLY INSTRUCTIONS

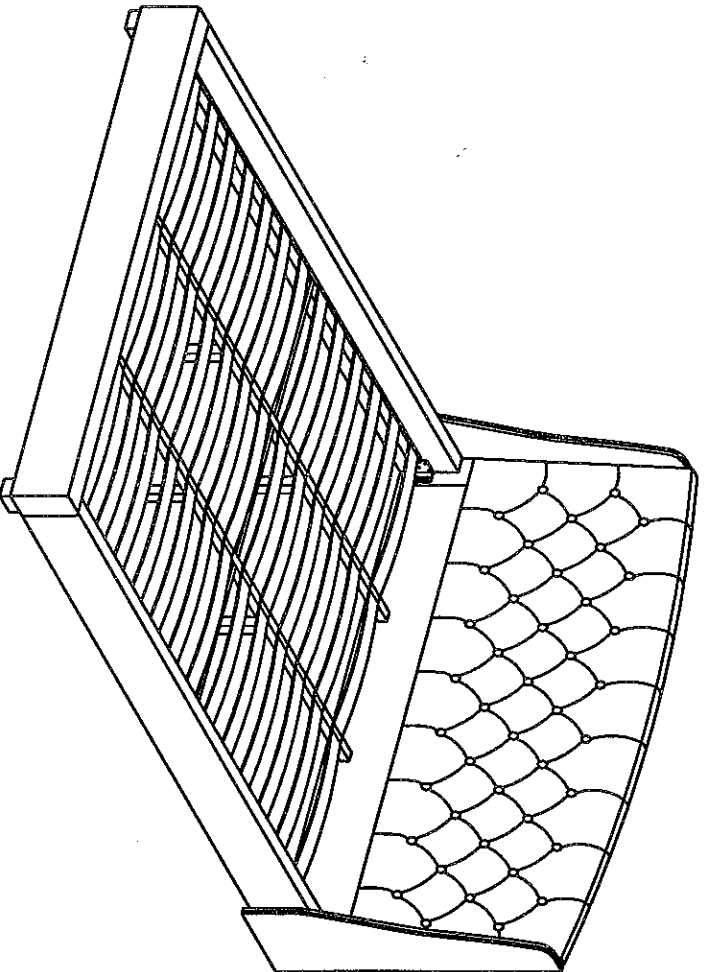
## STEP 4



## STEP 5



## STEP 6



\* When moving the bed position, the center support legs must be adjust to be straight to avoid any broken problem.