

MODEL : BBT6325 5' BED

ASSEMBLY INSTRUCTIONS

Read this instruction carefully. See hardware and furniture part list for guidance. Be sure all parts are complete, before you assemble. Place all wooden furniture parts on a clean and flat soft surface to prevent from being scratched. Follow the figure to start assembling.

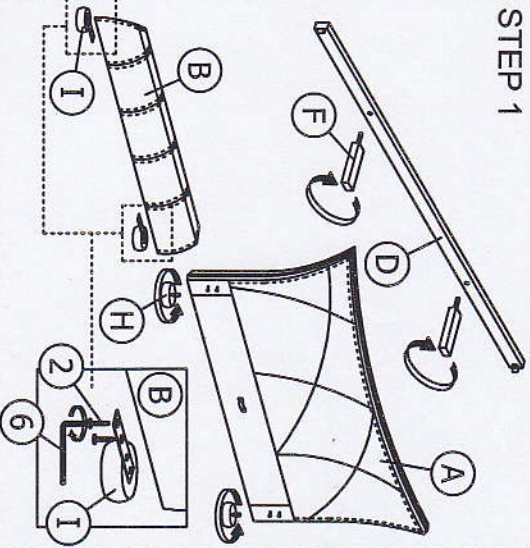
CAUTIONS :

1. Do not FULLY - TIGHTEN the nut or nut bolt until all nut or bolt is ready assembled.
2. Do not OVER - TIGHTEN the nut or bolt to avoid causing damages to the thread.
3. Keep all hardware parts out of reach of children.

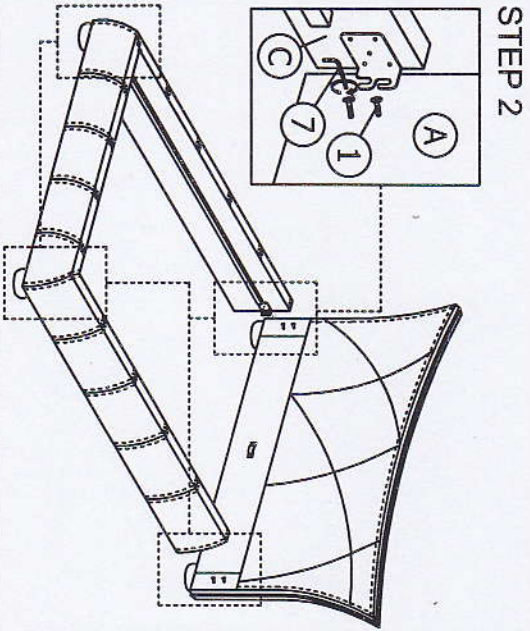
NOTE : THE LIST AND QUANTITY SHOWN ARE FOR 1 UNIT ASSEMBLY.

PART LIST			PART LIST		
ITEM	DESCRIPTION	QTY	ITEM	DESCRIPTION	QTY
A	HEADBOARD	1 PC	1	JCBB BOLT M8 x 40mm	8 PCS
B	FOOTBOARD	1 PC	2	JCBC BOLT M6 x 20mm	4 PCS
C	SIDE RAIL	2 PCS	3	WOOD SCREW M3.5 x 16mm	8 PCS
D	CENTER RAIL	1 PC	4	BED SLAT SIDE FITTER	26 PCS
E	CENTER SUPPORT	2 PCS	5	BED SLAT CENTER FITTER	13 PCS
F	CENTER SUPPORT LEG	2 PCS	6	M4 ALLEN KEY	1 PC
G	BED SLAT	26 PCS	7	M5 ALLEN KEY	1 PC
H	HEADBOARD BED LEG	2 PCS			
I	FOOTBOARD BED LEG	2 PCS			

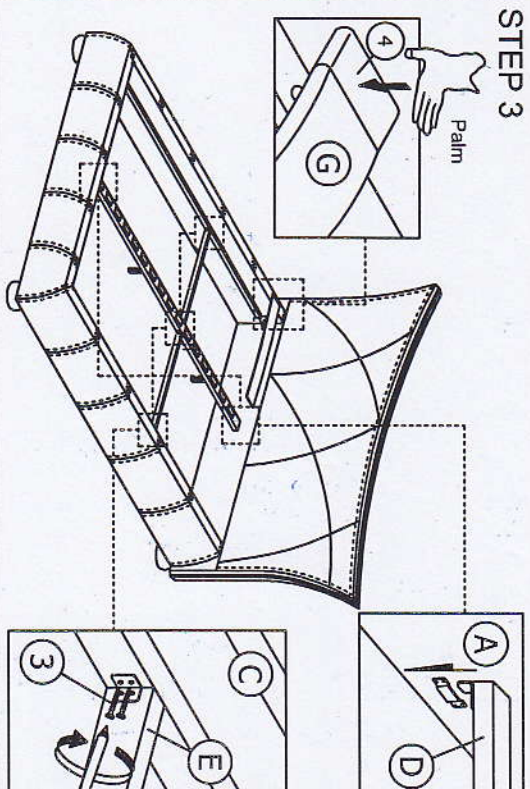
STEP 1



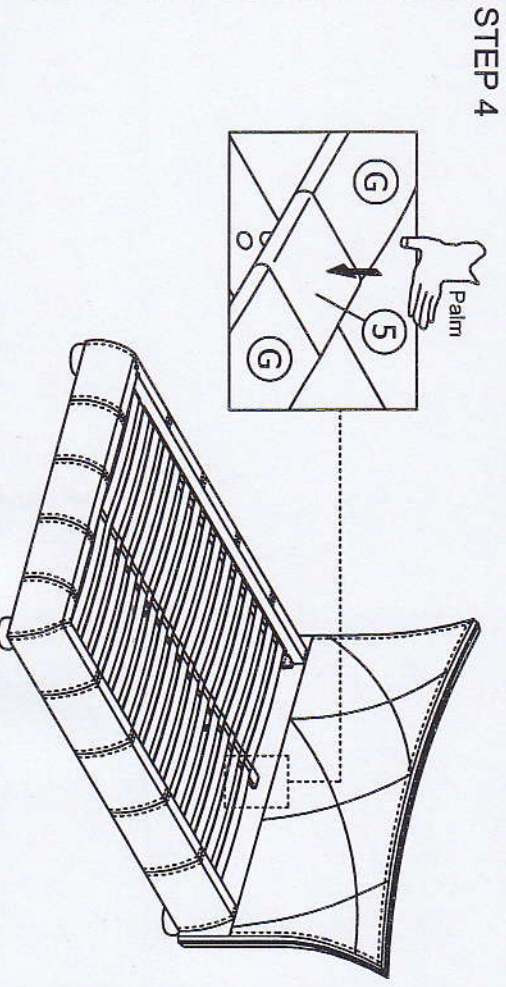
STEP 2



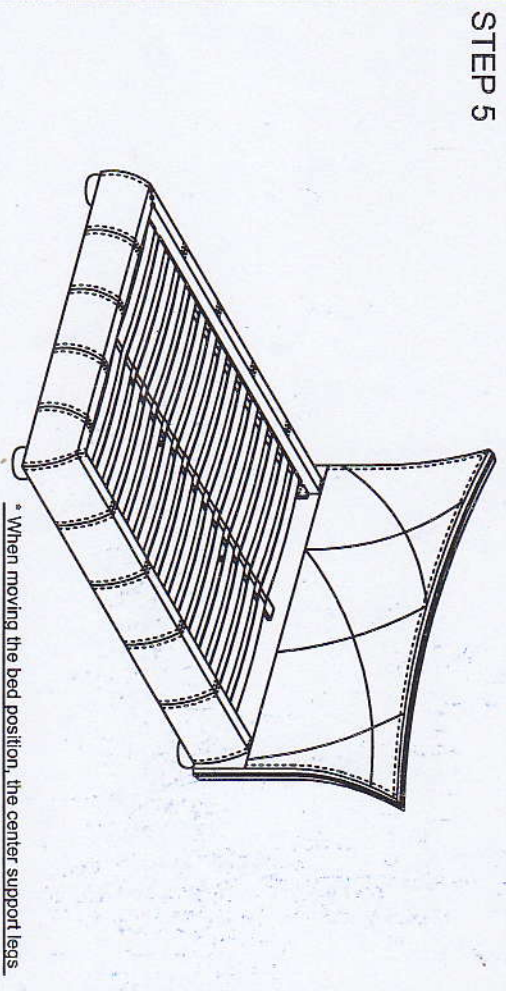
STEP 3



STEP 4



STEP 5



* When moving the bed position, the center support legs must be adjust to be straight to avoid any broken problem.