

MODEL : BBT6325 6' BED

# ASSEMBLY INSTRUCTIONS

Read this instruction carefully. See hardware and furniture part list for guidance. Be sure all parts are complete, before you assemble. Place all wooden furniture parts on a clean and flat soft surface to prevent from being scratched. Follow the figure to start assembling.

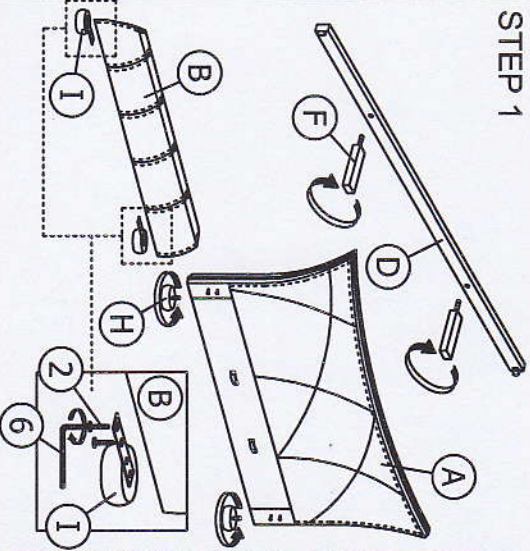
- CAUTIONS :**
1. Do not FULLY - TIGHTEN the nut or nut bolt until all nut or bolt is ready assembled.
  2. Do not OVER - TIGHTEN the nut or bolt to avoid causing damages to the thread.
  3. Keep all hardware parts out of reach of children.

NOTE : THE LIST AND QUANTITY SHOWN ARE FOR 1 UNIT ASSEMBLY.

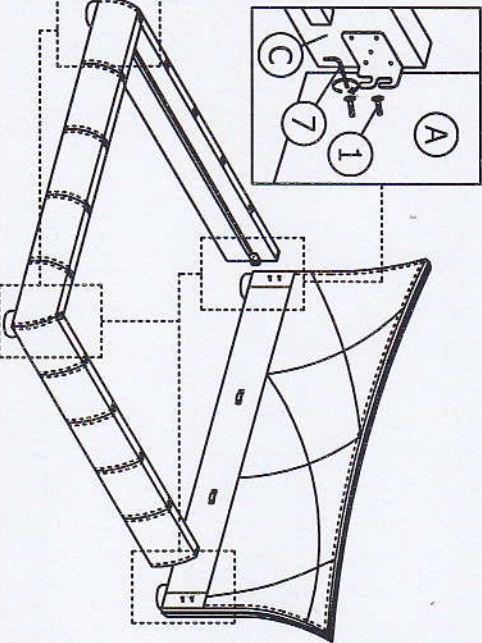
ITEM	PART LIST DESCRIPTION	QTY
A	HEADBOARD	1 PC
B	FOOTBOARD	1 PC
C	SIDE RAIL	2 PCS
D	CENTER RAIL	2 PCS
E	CENTER SUPPORT	3 PCS
F	CENTER SUPPORT LEG	4 PCS
G	BED SLAT	39 PCS
H	HEADBOARD BED LEG	2 PCS
I	FOOTBOARD BED LEG	2 PCS

ITEM	PART LIST DESCRIPTION	QTY
1	JCBB BOLT M8 x 40mm	8 PCS
2	JCBC BOLT M6 x 20mm	4 PCS
3	WOOD SCREW M3.5 x 16mm	12 PCS
4	BED SLAT SIDE FITTER	26 PCS
5	BED SLAT CENTER FITTER	26 PCS
6	M4 ALLEN KEY	1 PC
7	M5 ALLEN KEY	1 PC

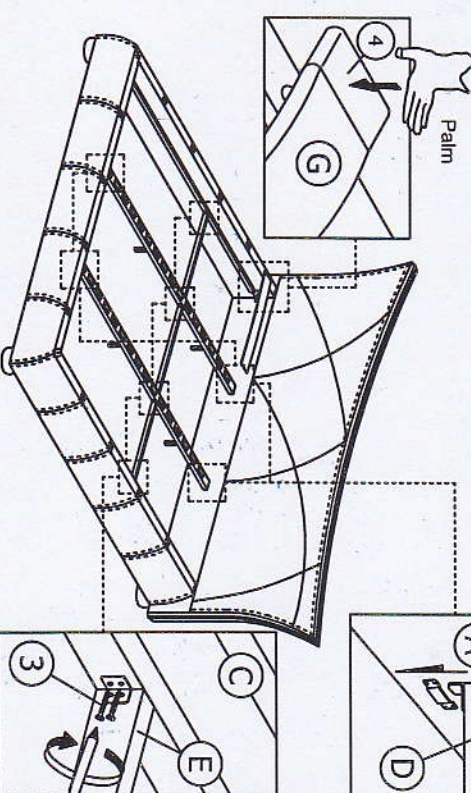
## STEP 1



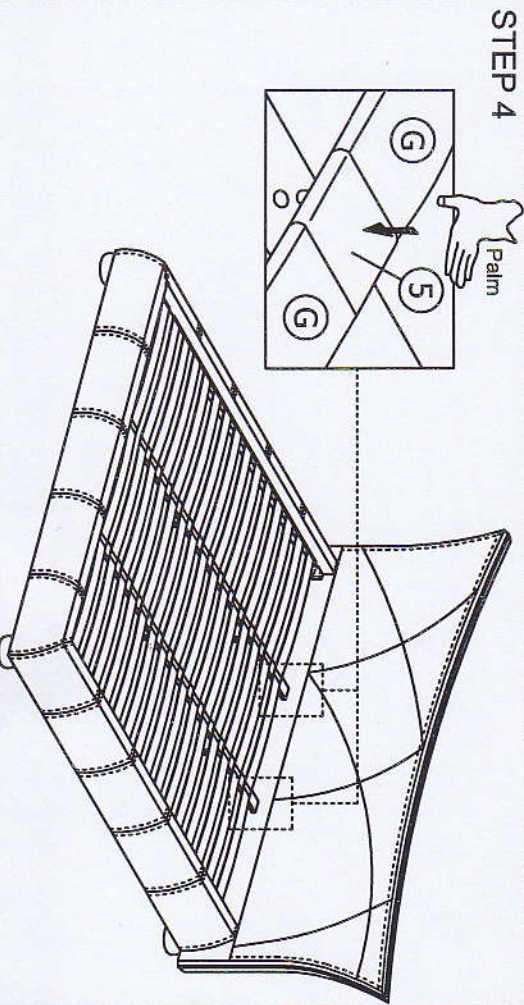
## STEP 2



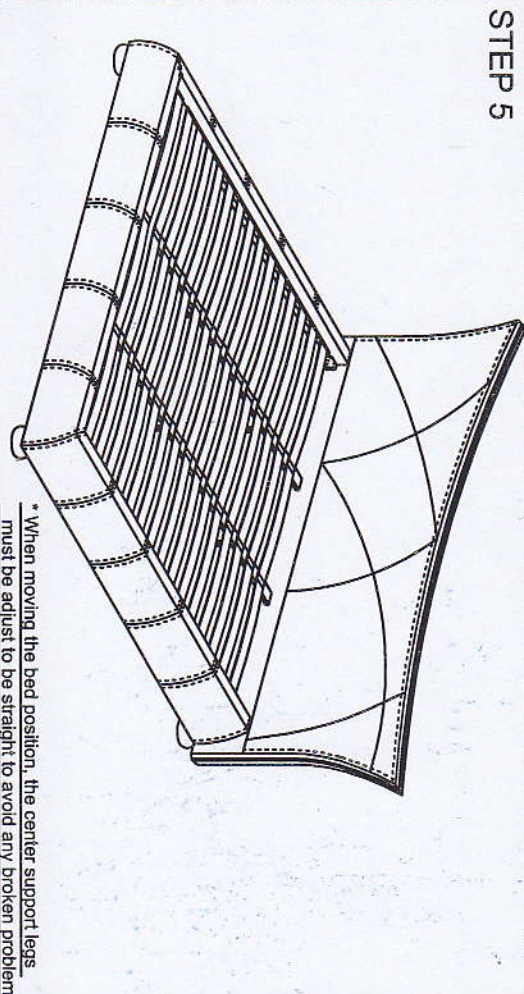
## STEP 3



## STEP 4



## STEP 5



\* When moving the bed position, the center support legs must be adjust to be straight to avoid any broken problem.