

MODEL : BBT6203 A1 4'6" BED

ASSEMBLY INSTRUCTIONS

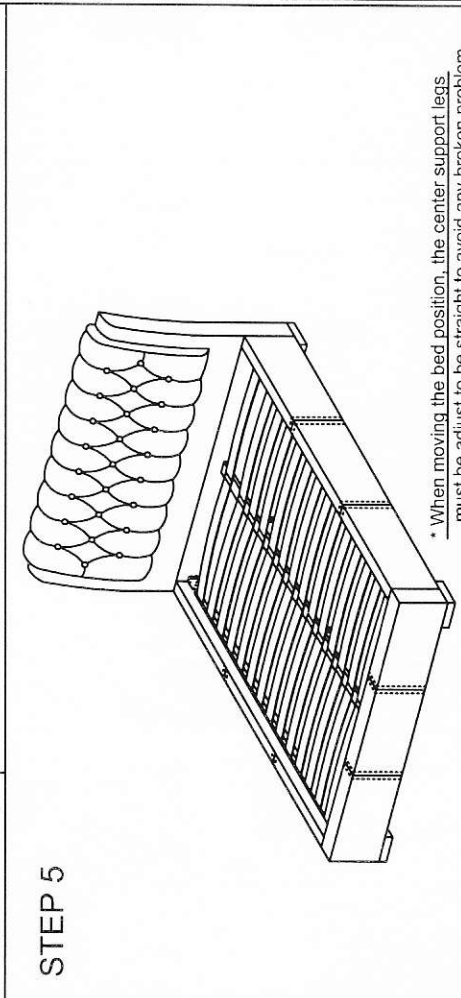
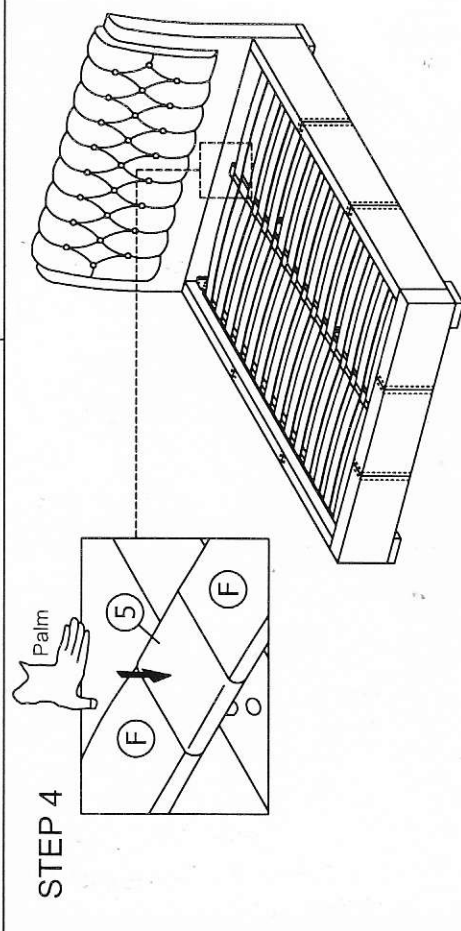
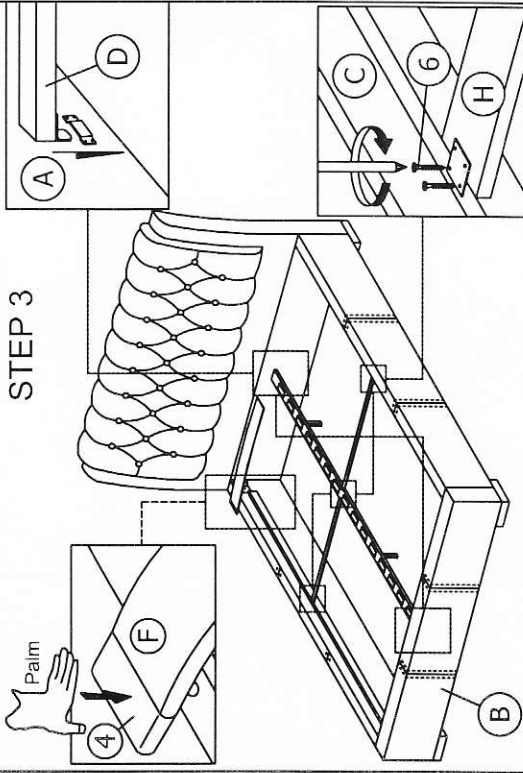
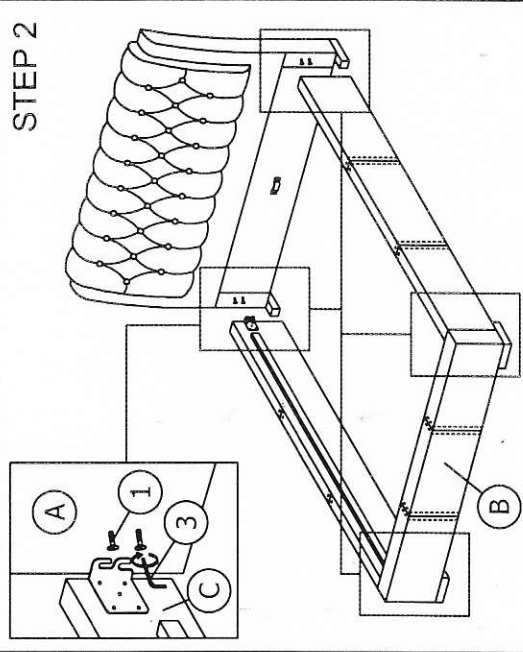
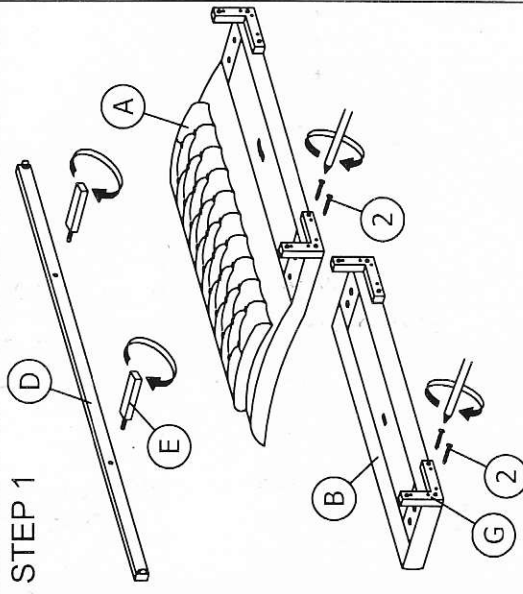
Read this instruction carefully. See hardware and furniture part list for guidance. Be sure all parts are complete, before you assemble. Place all wooden furniture parts on a clean and flat soft surface to prevent from being scratched. Follow the figure to start assembling.

- CAUTIONS :**
1. Do not FULLY - TIGHTEN the nut or bolt until all nut or bolt is ready assembled.
 2. Do not OVER - TIGHTEN the nut or bolt to avoid causing damages to the thread.
 3. Keep all hardware parts out of reach of children.

NOTE : THE LIST AND QUANTITY SHOWN ARE FOR 1 UNIT ASSEMBLY.

PART LIST			
ITEM	DESCRIPTION	QTY	
A	HEADBOARD	1 PC	
B	FOOTBOARD	1 PC	
C	SIDE RAIL	2 PCS	
D	CENTER RAIL	1 PC	
E	CENTER SUPPORT LEG	2 PCS	
F	BED SLAT	24 PCS	
G	BED LEGS	4 PCS	
H	CENTER SUPPORT	2 PCS	

PART LIST			
ITEM	DESCRIPTION	QTY	
1	JCBB BOLT M8 x 20mm	8 PCS	
2	WOOD SCREW M4 x 45mm	8 PCS	
3	M5 ALLEN KEY	1 PC	
4	BED SLAT SIDE FITTER	24 PCS	
5	BED SLAT CENTER FITTER	12 PCS	
6	WOOD SCREW M3.5 x 16mm	8 PCS	



* When moving the bed position, the center support legs must be adjust to be straight to avoid any broken problem.