

# ASSEMBLY INSTRUCTIONS


MODEL : BBT6183 4'6" BED

Read this instruction carefully. See hardware and furniture part list for guidance. Be sure all parts are complete, before you assemble. Place all wooden furniture parts on a clean and flat soft surface to prevent from being scratched. Follow the figure to start assembling.

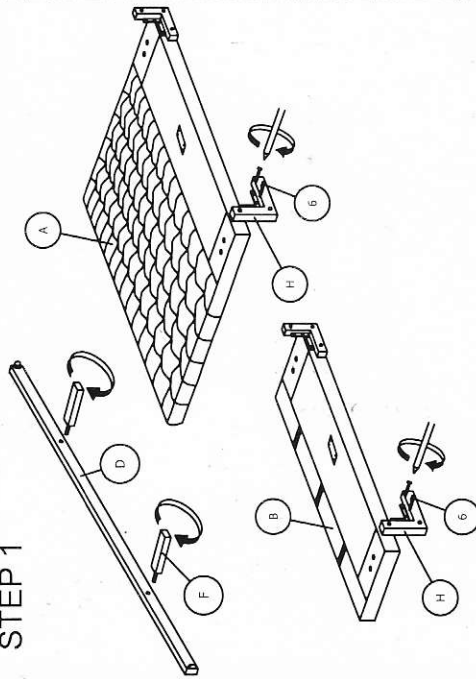
- CAUTIONS :**
1. Do not FULLY - TIGHTEN the nut or nut bolt until all nut or bolt is ready assembled.
  2. Do not OVER - TIGHTEN the nut or bolt to avoid causing damages to the thread.
  3. Keep all hardware parts out of reach of children.

NOTE : THE LIST AND QUANTITY SHOWN ARE FOR 1 UNIT ASSEMBLY.

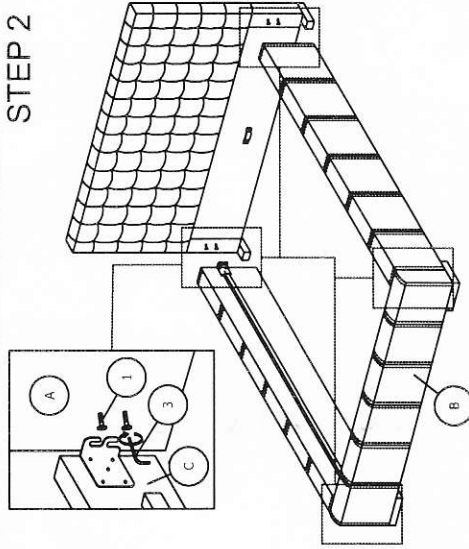
PART LIST			
ITEM	DESCRIPTION	QTY	
A	HEADBOARD	1 PC	
B	FOOTBOARD	1 PC	
C	SIDE RAIL	2 PCS	
D	CENTER RAIL	1 PC	
E	CENTER SUPPORT	2 PCS	
F	CENTER SUPPORT LEG	2 PCS	
G	BED SLAT	24 PCS	
H	BED LEG	4 PCS	

PART LIST			
ITEM	DESCRIPTION	QTY	
1	JCBB BOLT M8 x 40mm	8 PCS	
2	WOOD SCREW M3.5 x 16mm	8 PCS	
3	M5 ALLEN KEY	1 PC	
4	BED SLAT SIDE FITTER	24 PCS	
5	BED SLAT CENTER FITTER	12 PCS	
6	WOOD SCREW M4 x 25mm	8 PCS	

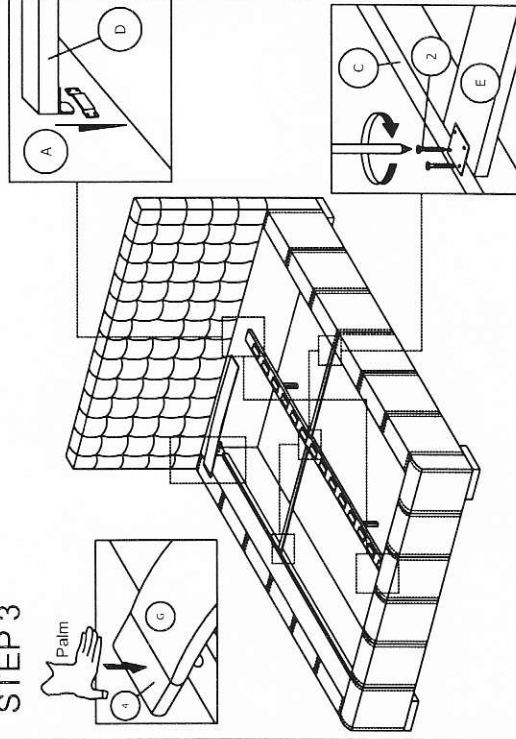
## STEP 1



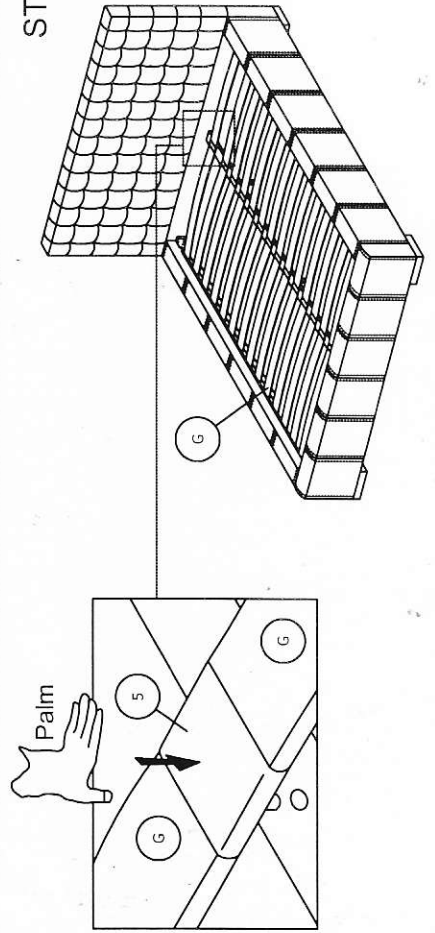
## STEP 2



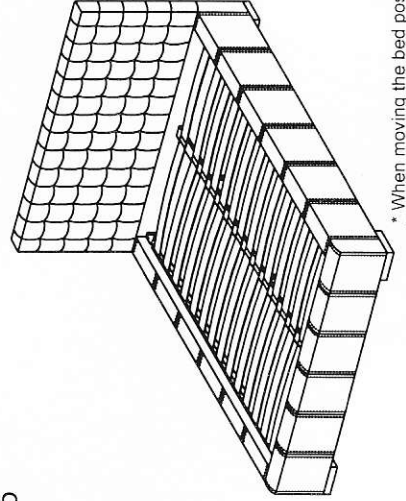
## STEP 3



## STEP 4



## STEP 5



\*When moving the bed position, the center support legs must be adjust to be straight to avoid any broken problem.