

# ASSEMBLY INSTRUCTIONS

MODEL : BBT6082 4'6" BED

Read this instruction carefully. See hardware and furniture part list for guidance. Be sure all parts are complete, before you assemble. Place all wooden furniture parts on a clean and flat soft surface to prevent from being scratched. Follow the figure to start assembling.

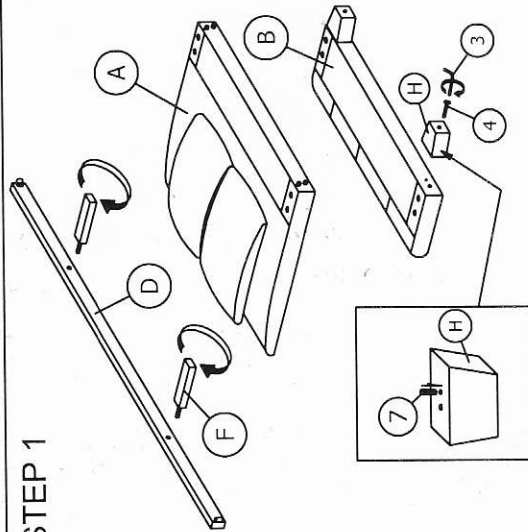
- CAUTIONS :**
1. Do not FULLY - TIGHTEN the nut or bolt until all nut or bolt is ready assembled.
  2. Do not OVER - TIGHTEN the nut or bolt to avoid causing damages to the thread.
  3. Keep all hardware parts out of reach of children.

NOTE : THE LIST AND QUANTITY SHOWN ARE FOR 1 UNIT ASSEMBLY.

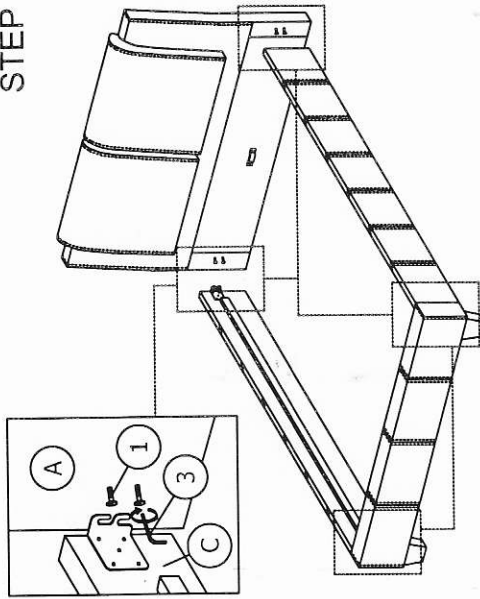
PART LIST		
ITEM	DESCRIPTION	QTY
A	HEADBOARD	1 PC
B	FOOTBOARD	1 PC
C	SIDE RAIL	2 PCS
D	CENTER RAIL	1 PC
E	CENTER SUPPORT	2 PCS
F	CENTER SUPPORT LEG	2 PCS
G	BED SLAT	24 PCS
H	BED LEGS	2 PCS

PART LIST		
ITEM	DESCRIPTION	QTY
1	JCBB BOLT M8 x 30mm	8 PCS
2	WOOD SCREW M3.5 x 16mm	8 PCS
3	M5 ALLEN KEY (BALL SHAPE)	1 PC
4	JCBB BOLT M8 x 70mm	2 PCS
5	BED SLAT SIDE FITTER	24 PCS
6	BED SLAT CENTER FITTER	12 PCS
7	WOOD DOWEL M8 x 30mm	2 PCS

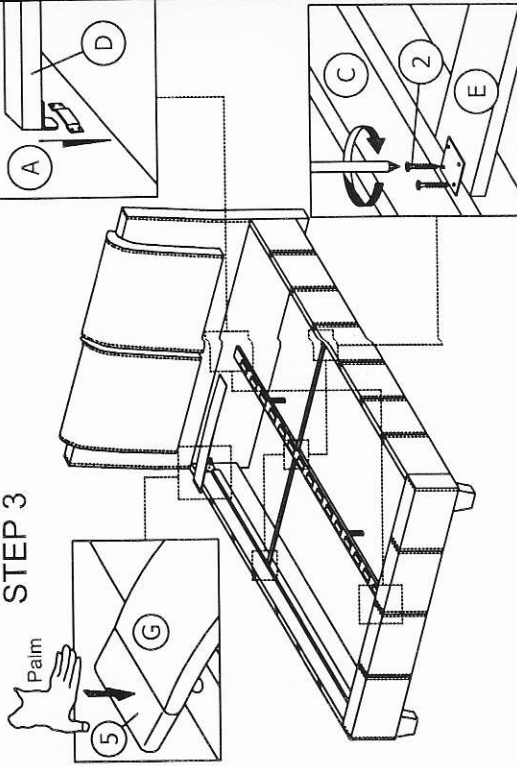
## STEP 1



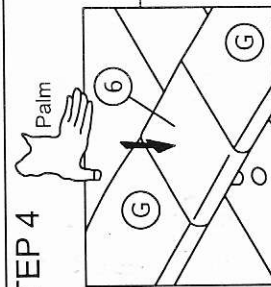
## STEP 2



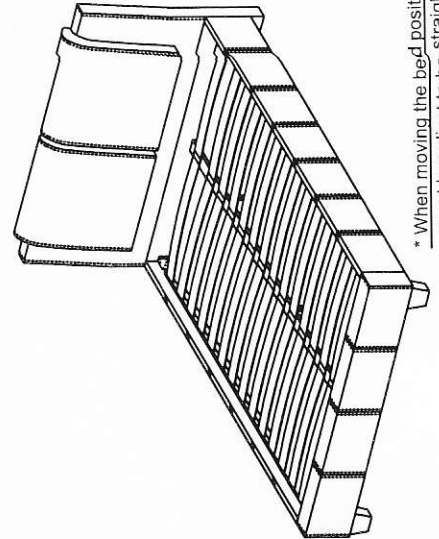
## STEP 3



## STEP 4



## STEP 5



\* When moving the bed position, the center support legs must be adjusted to avoid any broken problem.