

Read this instruction carefully. See hardware and furniture part list for guidance. Be sure all parts are complete, before you assemble. Place all wooden furniture parts on a clean and flat soft surface to prevent from being scratched. Follow the figure to start assembling.

**CAUTIONS :** 1. Do not FULLY - TIGHTEN the nut or nut bolt until all nut or bolt is ready assembled.  
 2. Do not OVER - TIGHTEN the nut or bolt to avoid causing damages to the thread.  
 3. Keep all hardware parts out of reach of children.

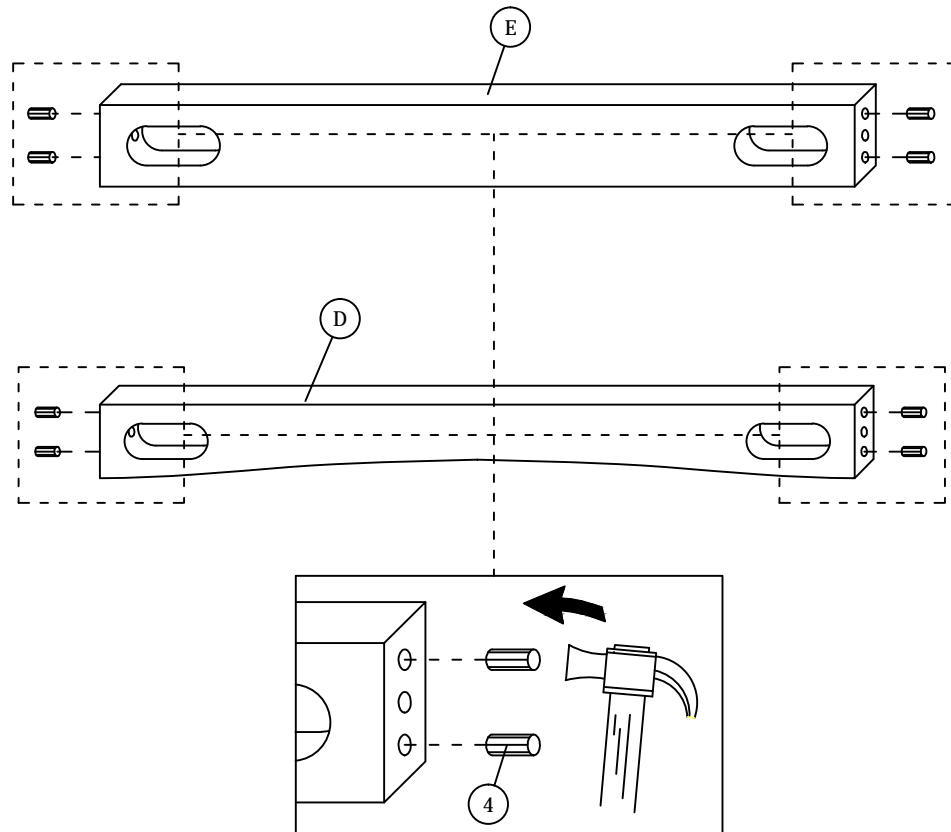
NOTE : THE LIST AND QUANTITY SHOWN ARE FOR 1 UNIT ASSEMBLY.

Tool needed : Screwdriver & Hammer (not provided).

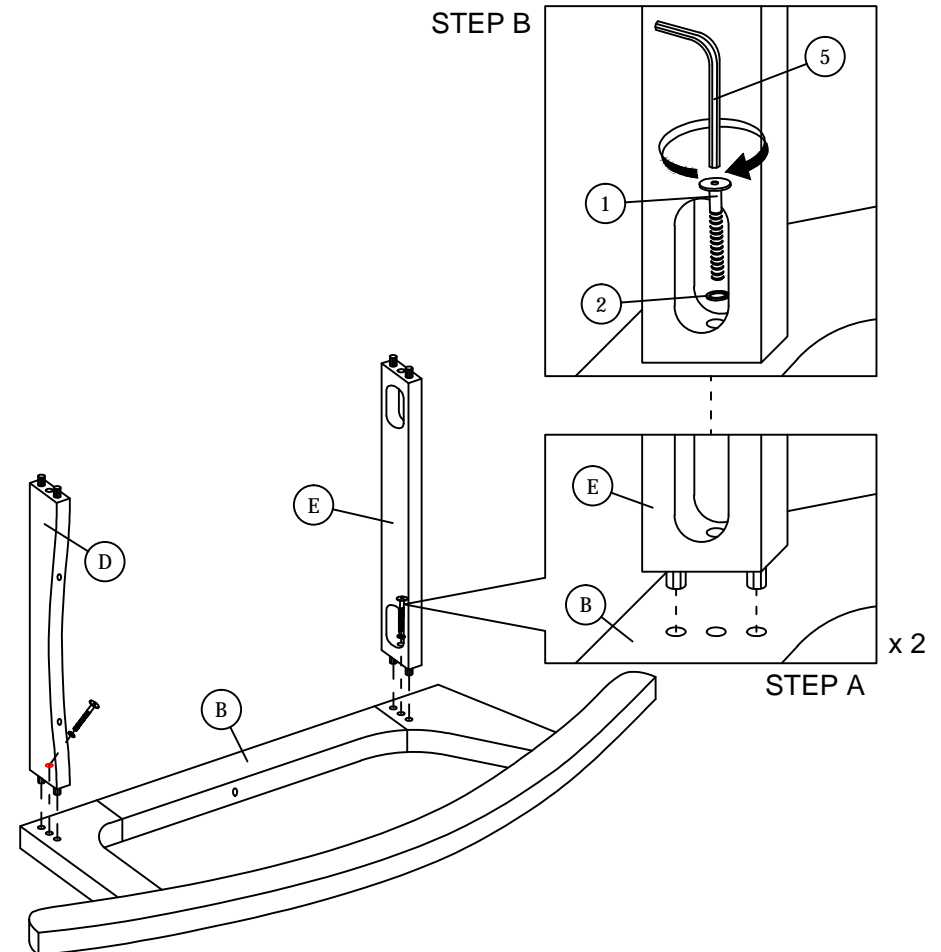
PART LIST		
ITEM	DESCRIPTION	QTY
A	CHAIR FRAME	1 PC
B	CHAIR LEG (L)	1 PC
C	CHAIR LEG (R)	1 PC
D	FRONT RAIL	1 PC
E	BACK RAIL	1 PC

HARDWARE LIST		
ITEM	DESCRIPTION	QTY
1	JCBB Bolt M8 x 50mm	6 PCS
2	M8 SPRING WASHER	4 PCS
3	WOOD SCREW M4 x 38mm	2 PCS
4	WOOD DOWEL M8 x 30mm	8 PCS
5	M5 ALLEN KEY (BALL SHAPE)	1 PC

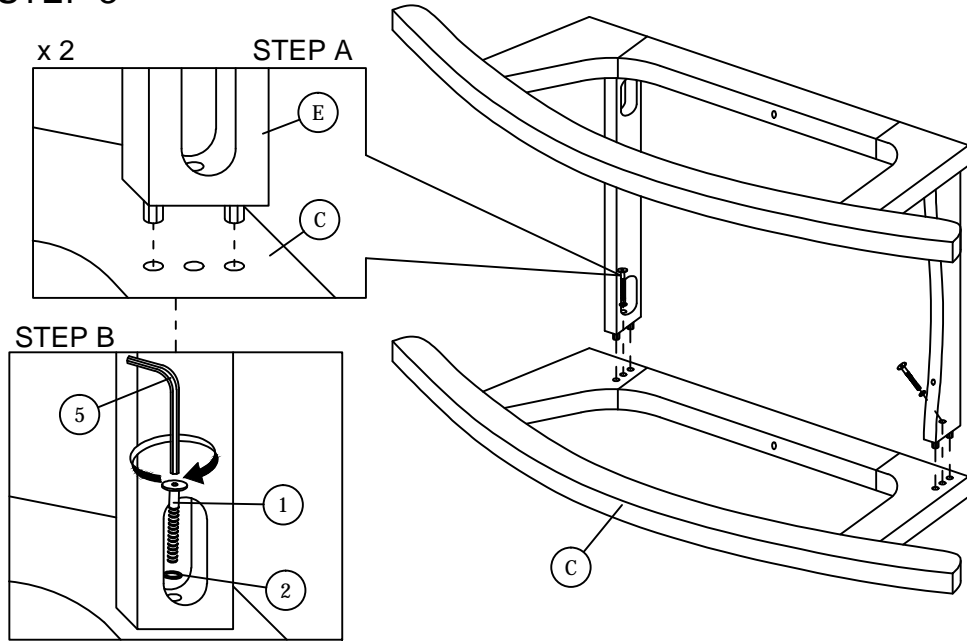
## STEP 1



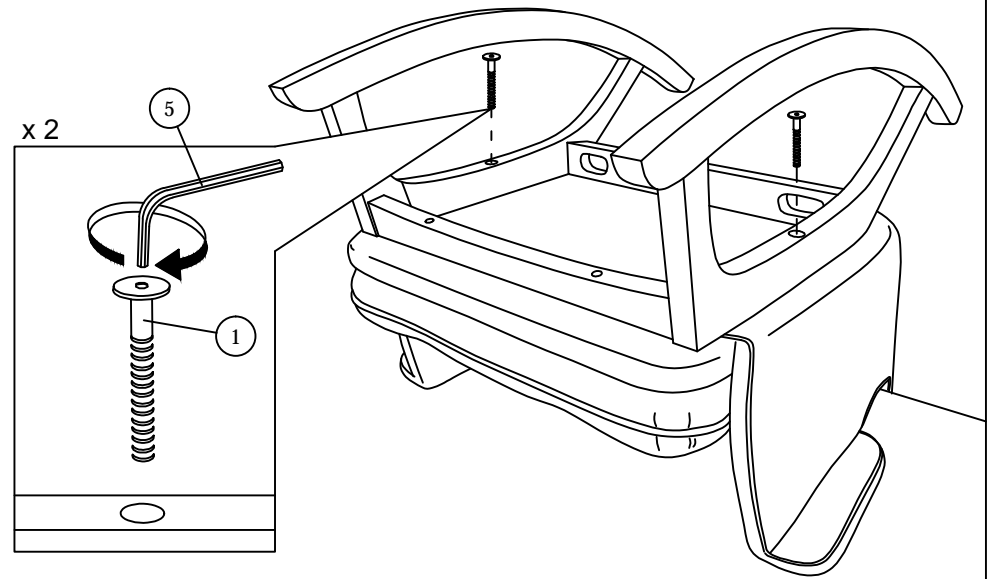
## STEP 2



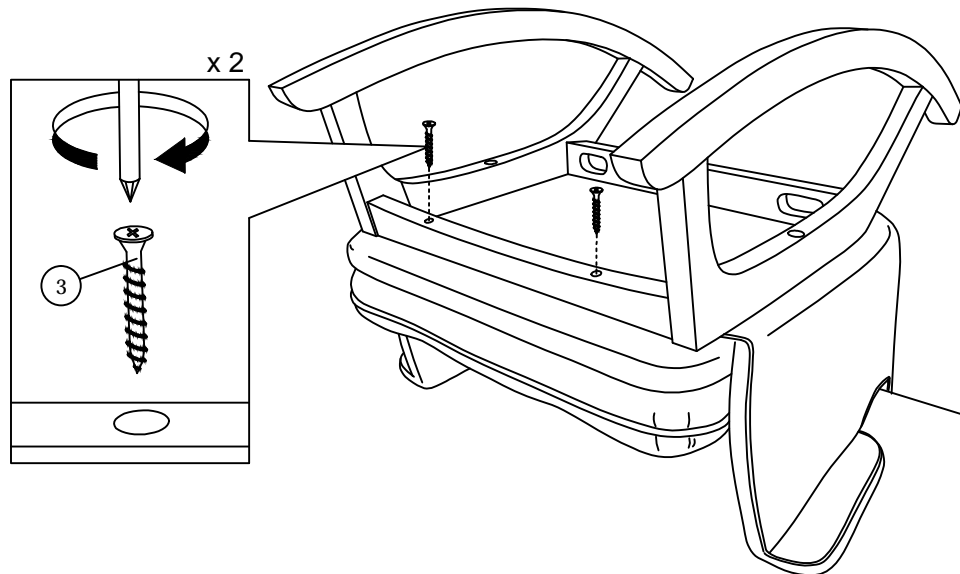
STEP 3



STEP 4



STEP 5



STEP 6

