

Read this instruction carefully. See hardware and furniture part list for guidance. Be sure all parts are complete, before you assemble. Place all wooden furniture parts on a clean and flat soft surface to prevent from being scratched. Follow the figure to start assembling.

CAUTIONS : 1. Do not FULLY - TIGHTEN the nut or nut bolt until all nut or bolt is ready assembled.
 2. Do not OVER - TIGHTEN the nut or bolt to avoid causing damages to the thread.
 3. Keep all hardware parts out of reach of children.

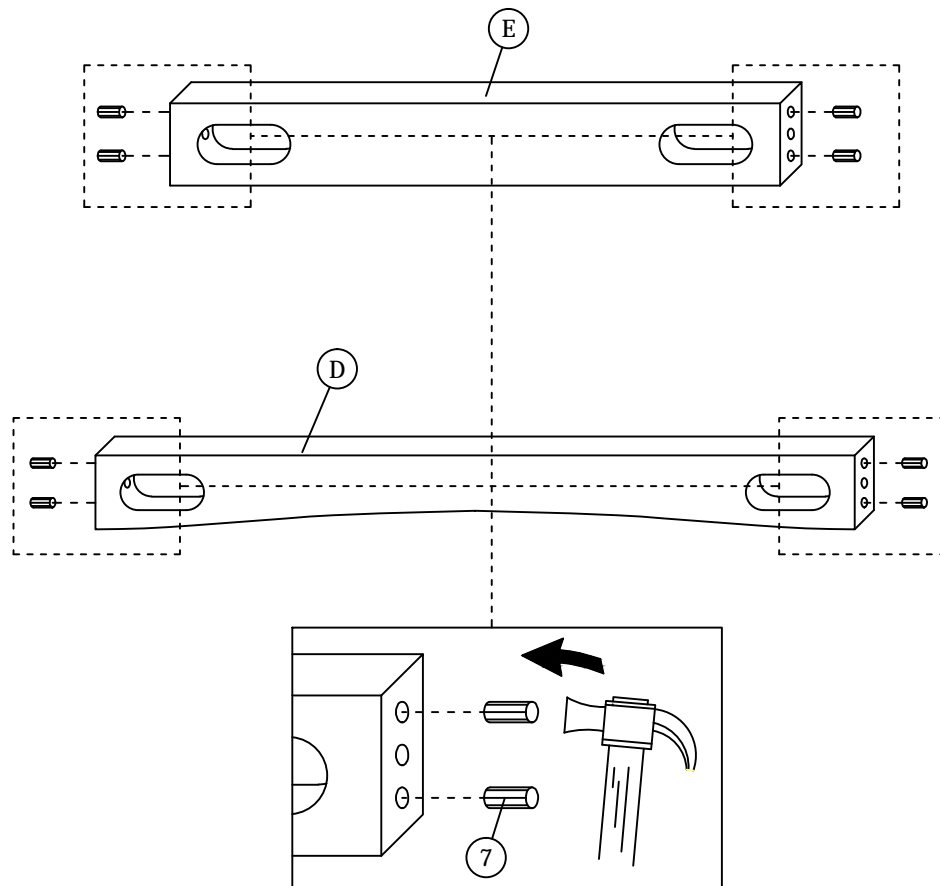
NOTE : THE LIST AND QUANTITY SHOWN ARE FOR 1 UNIT ASSEMBLY.

Tool needed : Hammer (not provided).

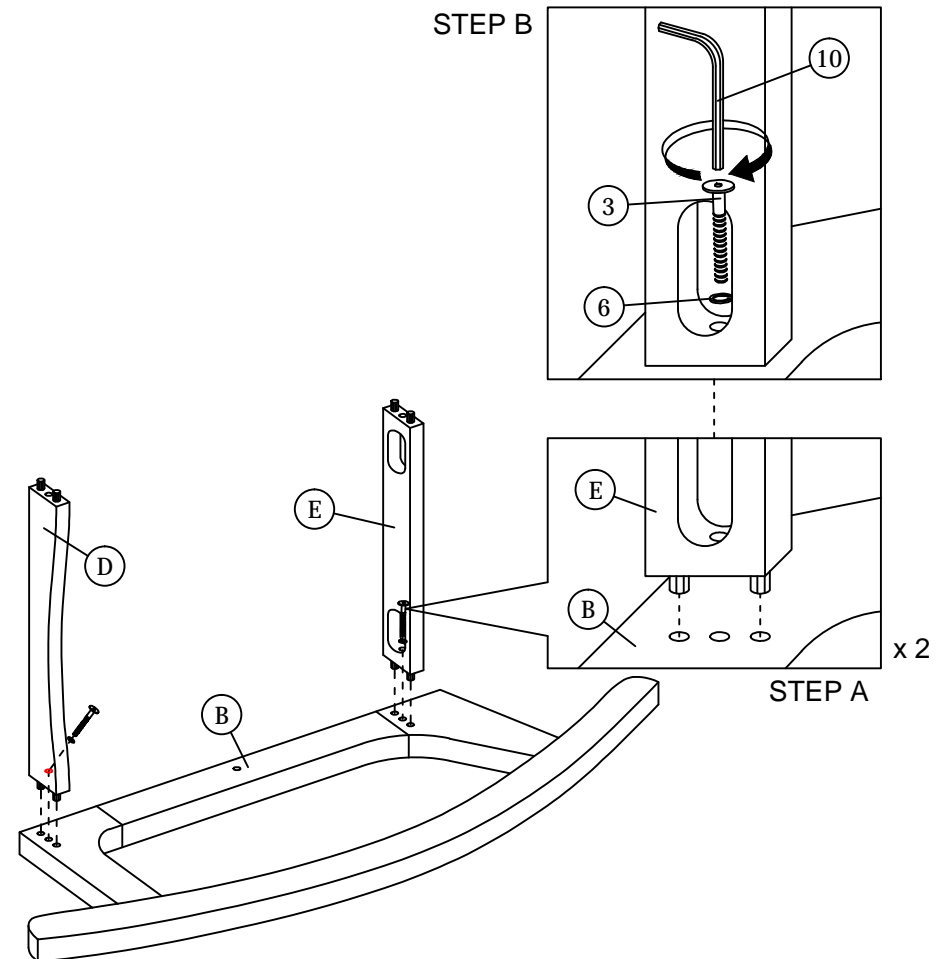
PART LIST		
ITEM	DESCRIPTION	QTY
A	CHAIR FRAME	1 PC
B	CHAIR LEG (L)	1 PC
C	CHAIR LEG (R)	1 PC
D	FRONT RAIL	1 PC
E	BACK RAIL	1 PC

HARDWARE LIST		
ITEM	DESCRIPTION	QTY
1	JCBC Bolt M6 x 20mm	2 PCS
2	JCBC Bolt M6 x 30mm	2 PCS
3	JCBB Bolt M8 x 50mm	4 PCS
4	M6 FLAT WASHER	4 PCS
5	M6 SPRING WASHER	4 PCS
6	M8 SPRING WASHER	4 PCS
7	WOOD DOWEL M8 x 30mm	8 PCS
8	VMB 3017 "L" BRACKET (T2.5mm)(BLACK)	2 PCS
9	M4 ALLEN KEY (BALL SHAPE)	1 PC
10	M5 ALLEN KEY (BALL SHAPE)	1 PC

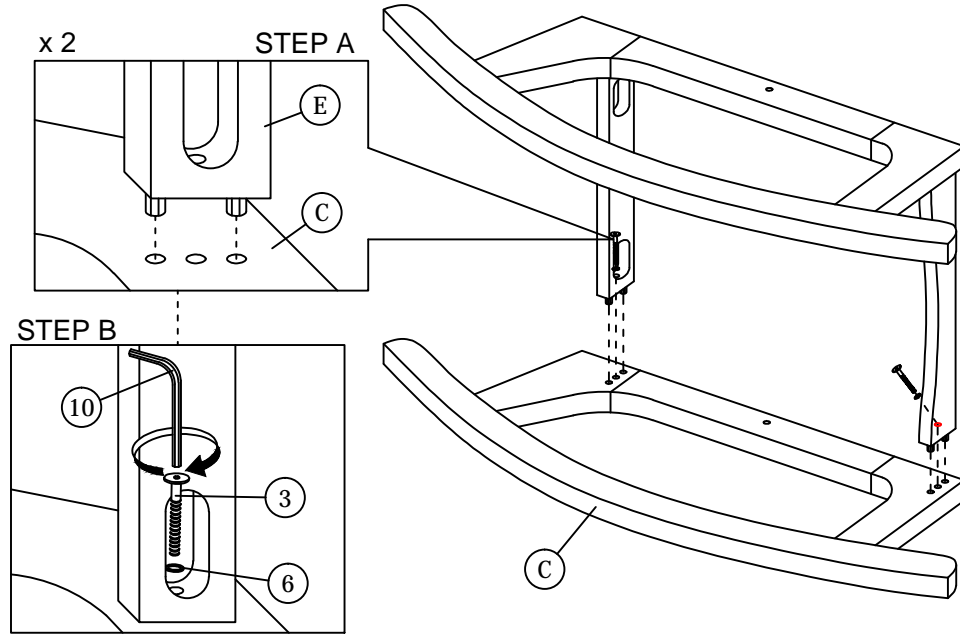
STEP 1



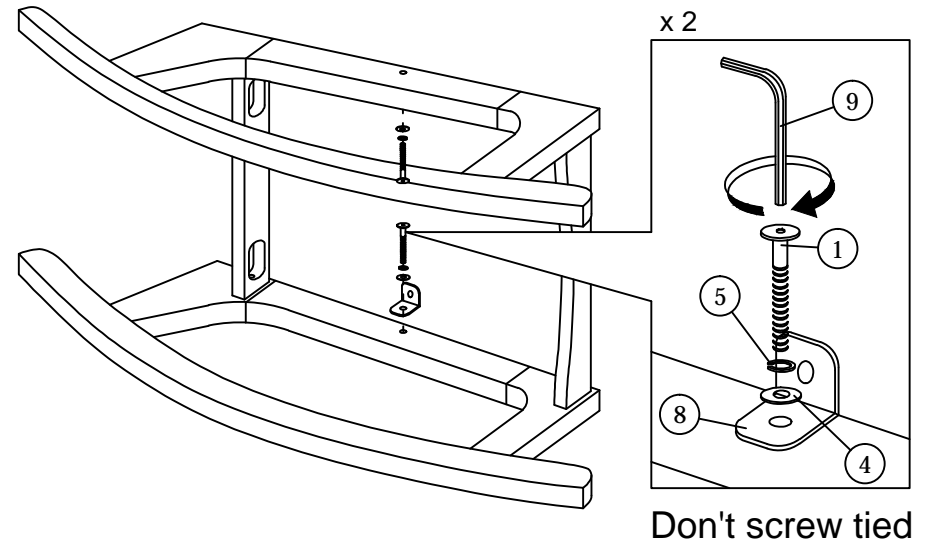
STEP 2



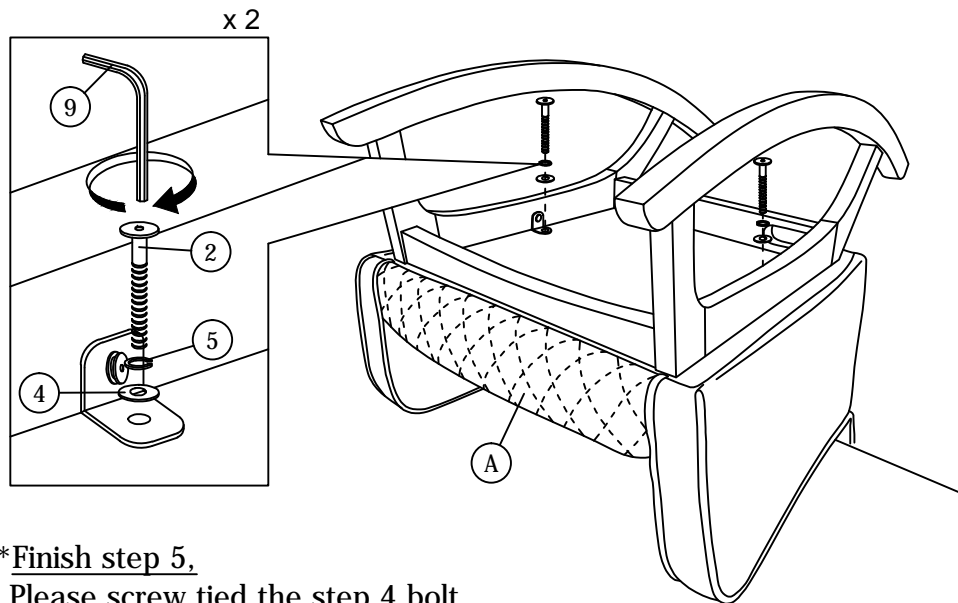
STEP 3



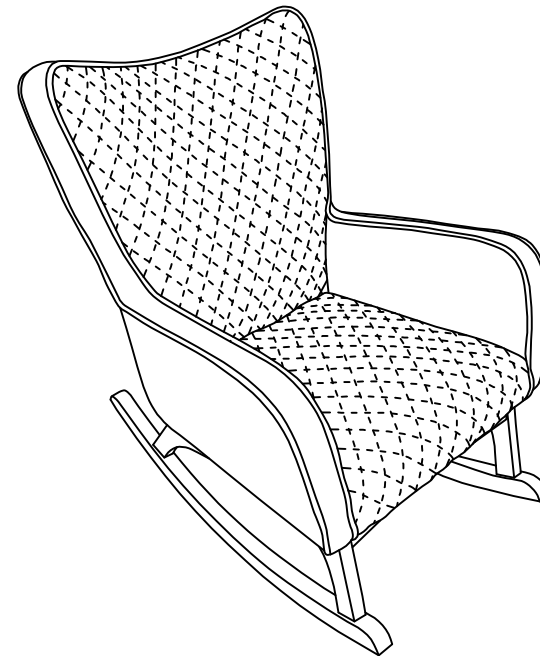
STEP 4



STEP 5



STEP 6



****Finish step 5,
Please screw tied the step 4 bolt.**