

Read this instruction carefully. See hardware and furniture part list for guidance. Be sure all parts are complete, before you assemble. Place all wooden furniture parts on a clean and flat soft surface to prevent from being scratched. Follow the figure to start assembling.

**CAUTIONS :** 1. Do not FULLY - TIGHTEN the nut or nut bolt until all nut or bolt is ready assembled.  
 2. Do not OVER - TIGHTEN the nut or bolt to avoid causing damages to the thread.  
 3. Keep all hardware parts out of reach of children.

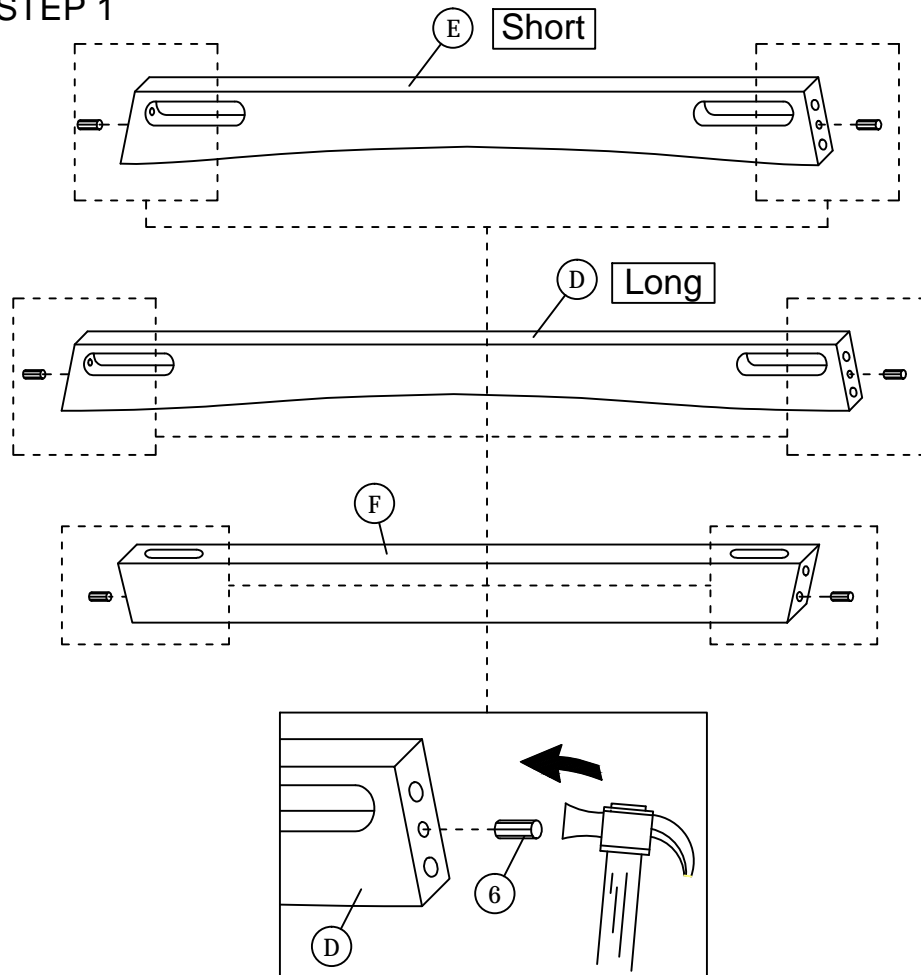
**NOTE :** THE LIST AND QUANTITY SHOWN ARE FOR 1 UNIT ASSEMBLY.

Tool needed : Hammer (not provided).

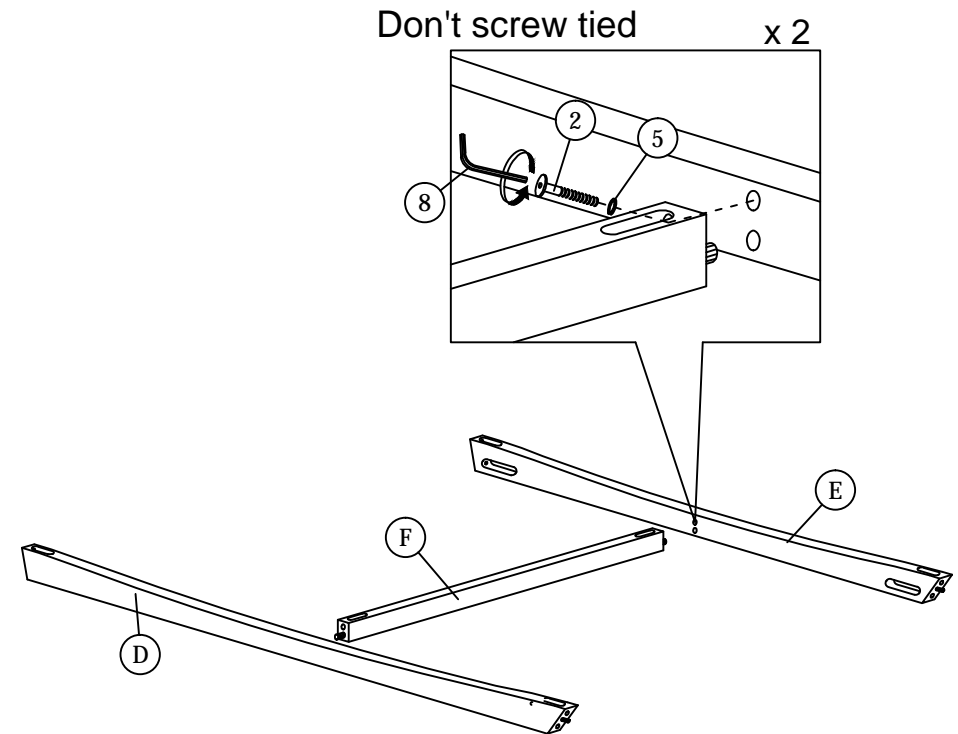
PART LIST		
ITEM	DESCRIPTION	QTY
A	CHAIR FRAME	1pc
B	CHAIR LEG (L)	1pc
C	CHAIR LEG (R)	1pc
D	FRONT STRETCHER	1pc
E	BACK STRETCHER	1pc
F	CENTER SUPPORT WOOD	1pc

HARDWARE LIST		
ITEM	DESCRIPTION	QTY
1	JCBC Bolt M6 x 20mm	2pcs
2	JCBC Bolt M6 x 30mm	4pcs
3	JCBC Bolt M6 x 45mm	8pcs
4	M6 Flat Washer	4pcs
5	M6 Spring Washer	14pcs
6	Wood Dowel M8 x 30mm	6pcs
7	VMB 3017 "L" Bracket (T2.5mm) (BLACK)	2pcs
8	M4 Allen Key (Ball Shape)	1pc

## STEP 1



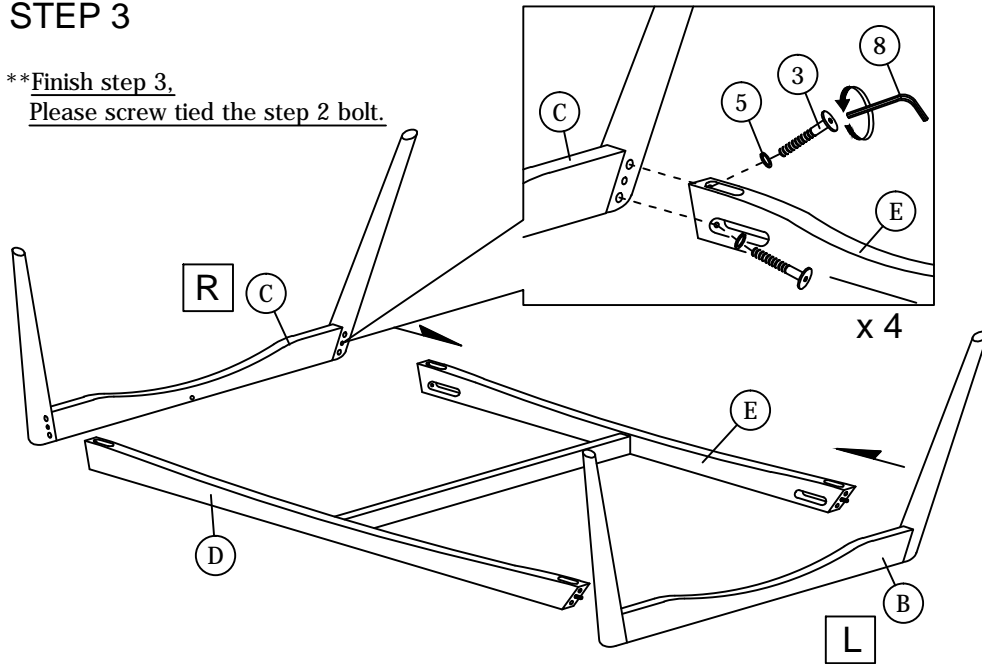
## STEP 2



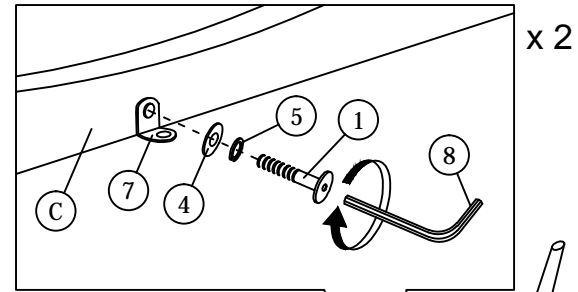
# ASSEMBLY INSTRUCTIONS

## STEP 3

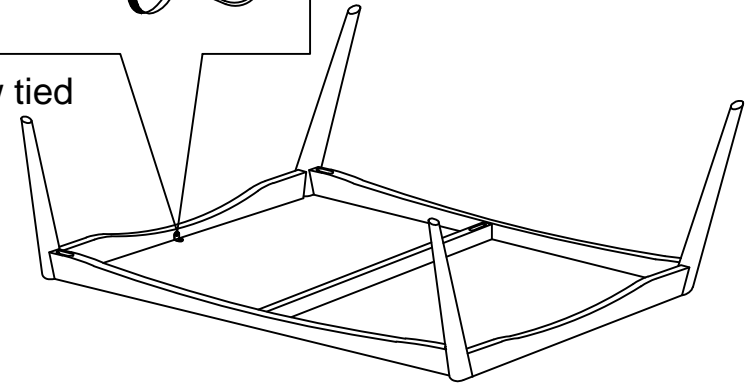
\*\*Finish step 3.  
Please screw tied the step 2 bolt.



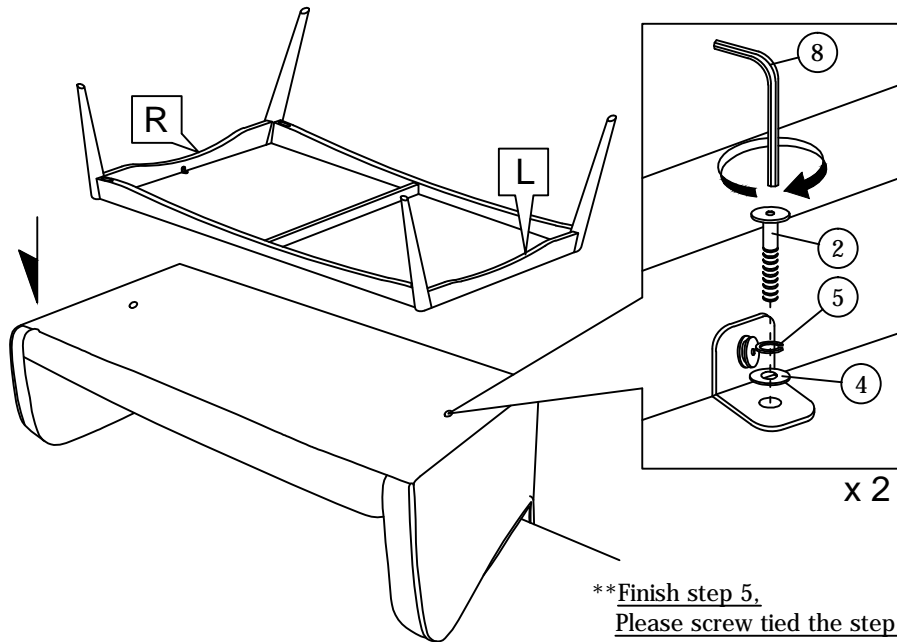
## STEP 4



Don't screw tied



## STEP 5



\*\*Finish step 5.  
Please screw tied the step 4 bolt.

## STEP 6

