





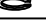



Read this instruction carefully. See hardware and furniture part list for guidance. Be sure all parts are complete, before you assemble. Place all wooden furniture parts on a clean and flat soft surface to prevent from being scratched. Follow the figure to start assembling.

**CAUTIONS :** 1. Do not FULLY - TIGHTEN the nut or nut bolt until all nut or bolt is ready assembled.  
 2. Do not OVER - TIGHTEN the nut or bolt to avoid causing damages to the thread.  
 3. Keep all hardware parts out of reach of children.

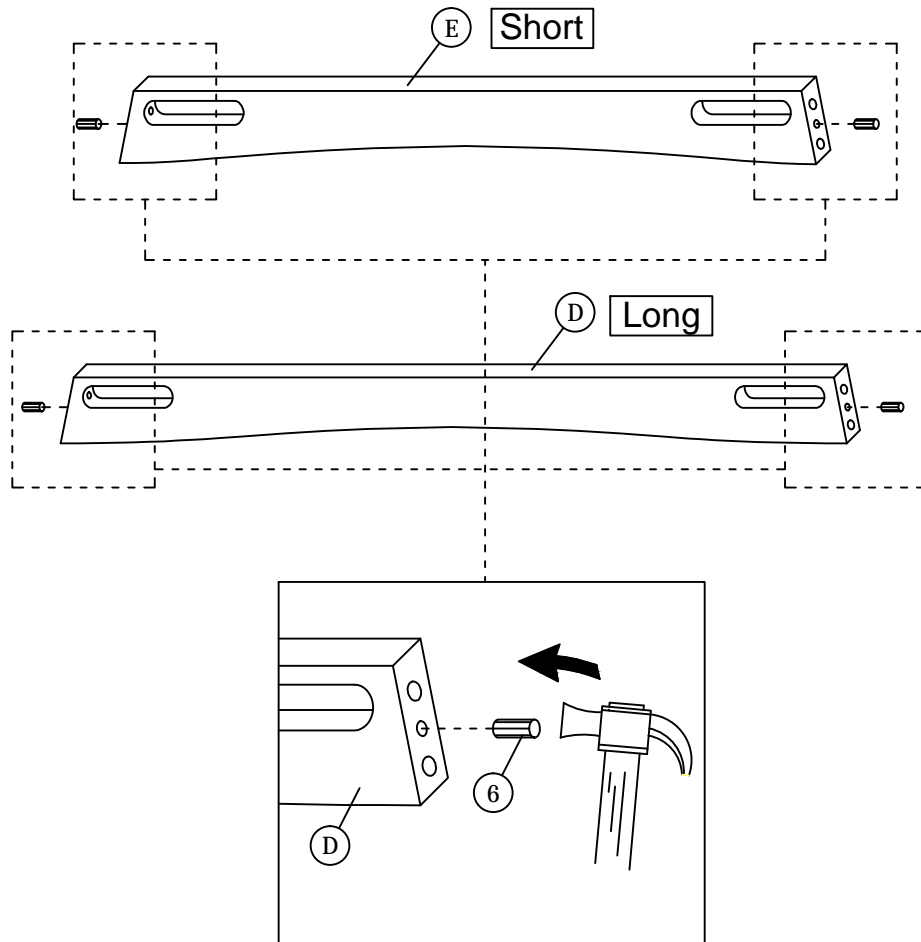
**NOTE :** THE LIST AND QUANTITY SHOWN ARE FOR 1 UNIT ASSEMBLY.

Tool needed : Hammer (not provided).

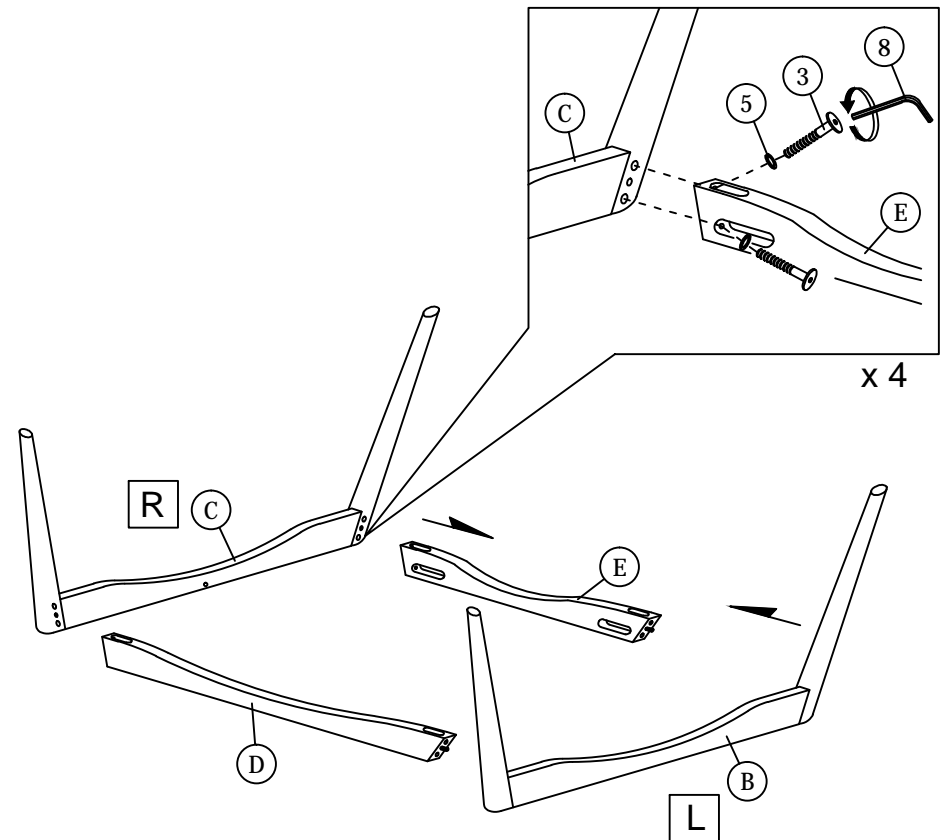
PART LIST		
ITEM	DESCRIPTION	QTY
A	CHAIR FRAME	1pc
B	CHAIR LEG (L)	1pc
C	CHAIR LEG (R)	1pc
D	FRONT STRETCHER	1pc
E	BACK STRETCHER	1pc

HARDWARE LIST		
ITEM	DESCRIPTION	QTY
1	JCBC Bolt M6 x 20mm 	2pcs
2	JCBC Bolt M6 x 30mm 	2pcs
3	JCBC Bolt M6 x 45mm 	8pcs
4	M6 Flat Washer 	4pcs
5	M6 Spring Washer 	12pcs
6	Wood Dowel M8 x 30mm 	4pcs
7	VMB 3017 "L" Bracket (T2.5mm) (BLACK) 	2pcs
8	M4 Allen Key (Ball Shape) 	1pc

## STEP 1

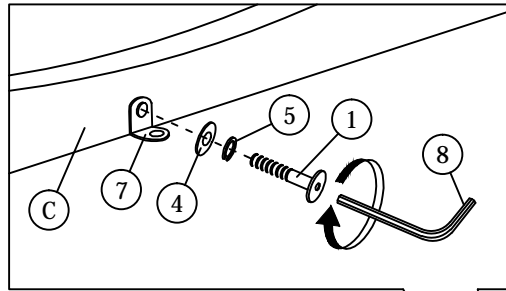


## STEP 2

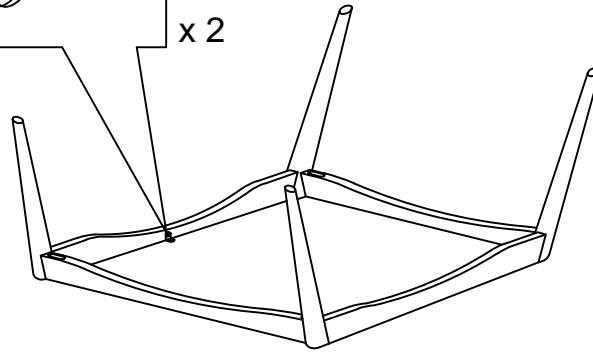


# ASSEMBLY INSTRUCTIONS

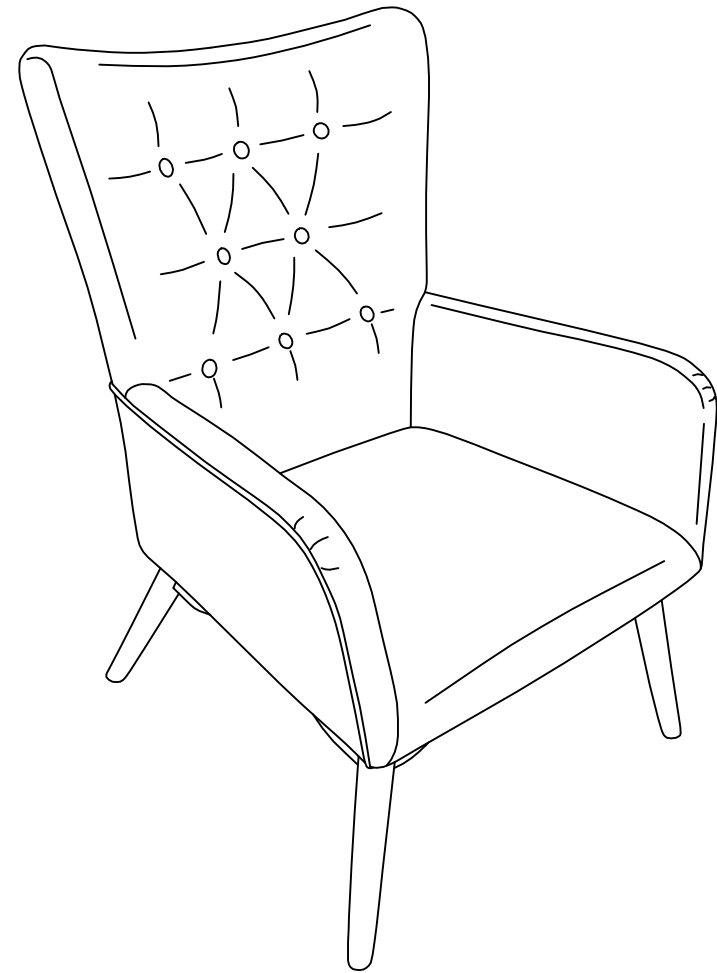
## STEP 3



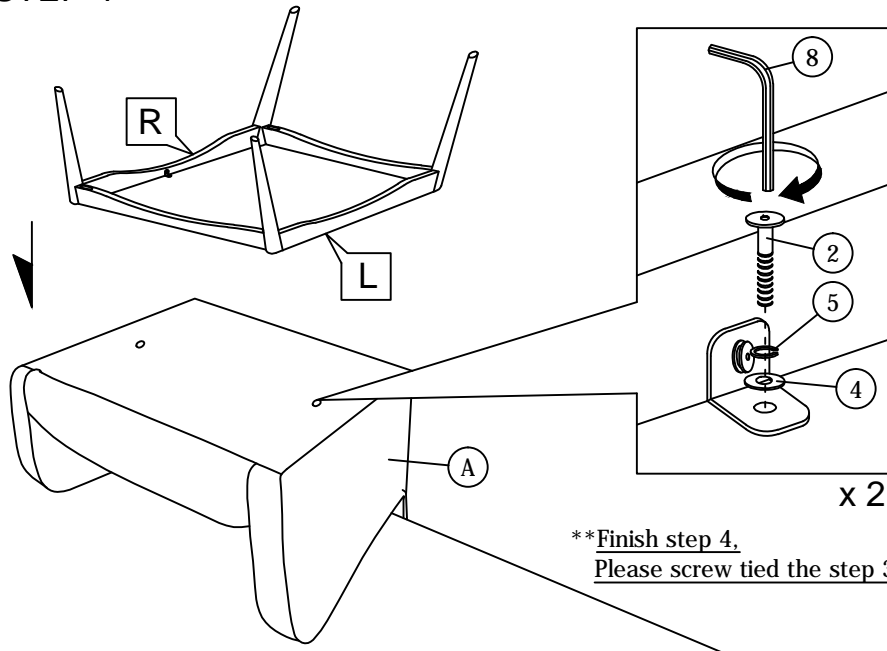
Don't screw tied



## STEP 5



## STEP 4



**\*\*Finish step 4,  
Please screw tied the step 3 bolt.**