

Read this instruction carefully. See hardware and furniture part list for guidance. Be sure all parts are complete, before you assemble. Place all wooden furniture parts on a clean and flat soft surface to prevent from being scratched. Follow the figure to start assembling.

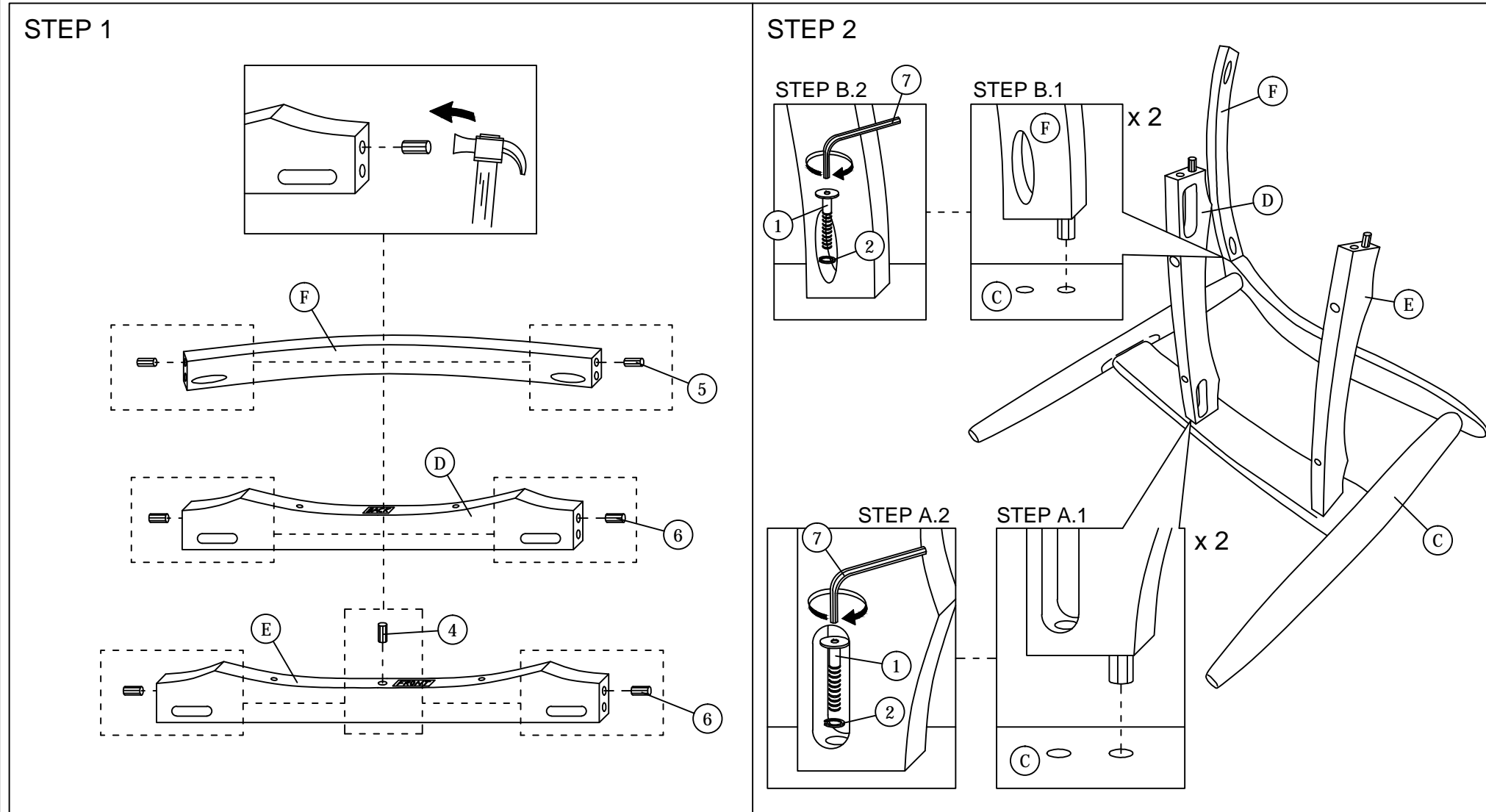
CAUTIONS : 1. Do not FULLY - TIGHTEN the nut or nut bolt until all nut or bolt is ready assembled.
 2. Do not OVER - TIGHTEN the nut or bolt to avoid causing damages to the thread.
 3. Keep all hardware parts out of reach of children.

NOTE : THE LIST AND QUANTITY SHOWN ARE FOR 1 UNIT ASSEMBLY.

Tool needed : Screwdriver & Hammer (not provided).

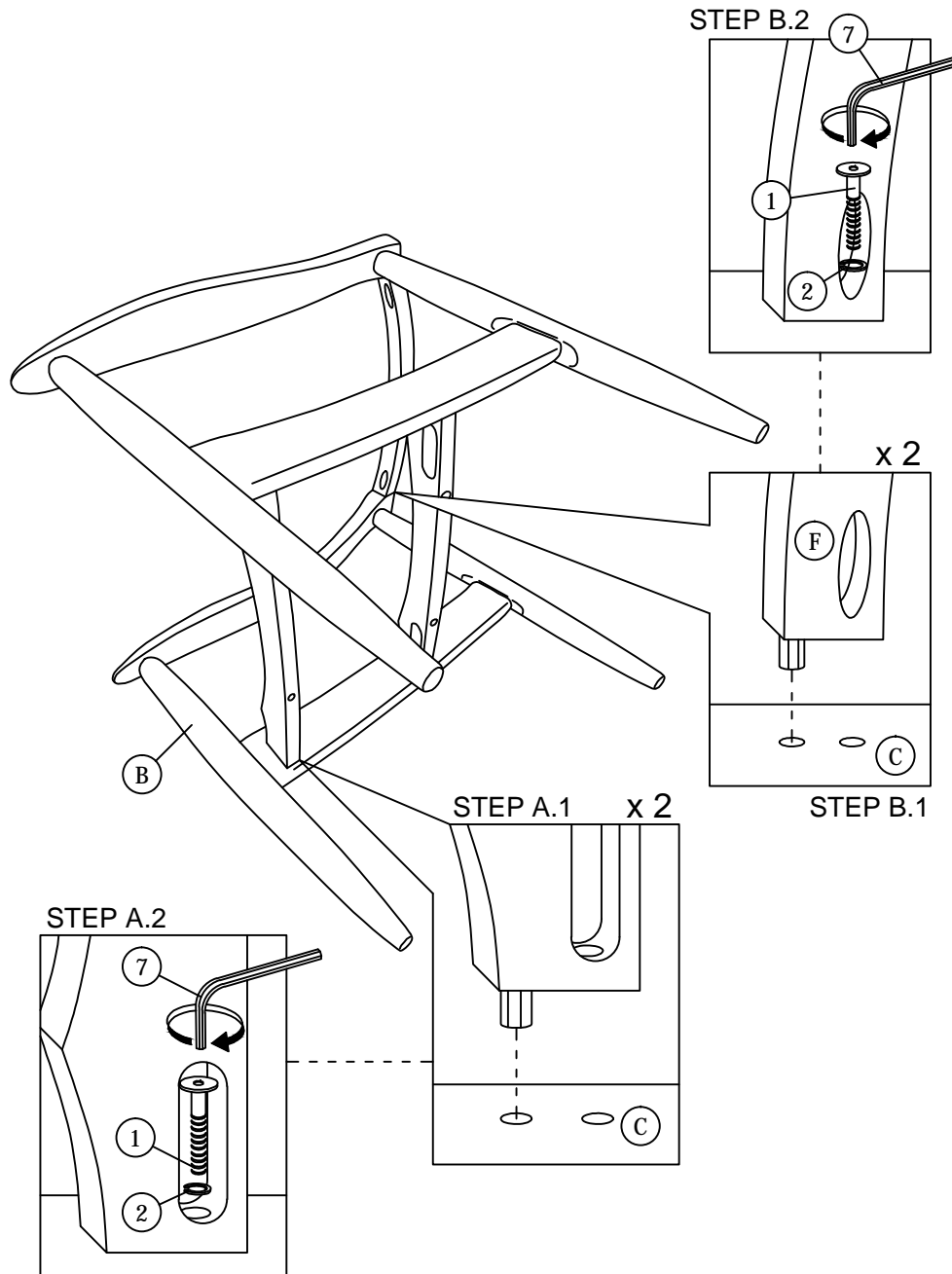
PART LIST		
ITEM	DESCRIPTION	QTY
A	CHAIR	1 PC
B	ARM (L)	1 PC
C	ARM (R)	1 PC
D	BACK STRETCHER	1 PC
E	FRONT STRETCHER	1 PC
F	BACK RAIL	1 PC

HARDWARE LIST		
ITEM	DESCRIPTION	QTY
1	JCBC Bolt M6 x 40mm	6 PCS
2	M6 SPRING WASHER	6 PCS
3	WOOD SCREW M4 x 38mm	4 PCS
4	WOOD DOWEL M8 x 30mm	1 PC
5	WOOD DOWEL M10 x 30mm	2 PCS
6	WOOD DOWEL M10 x 40mm	4 PCS
7	M4 ALLEN KEY (BALL SHAPE)	1 PC



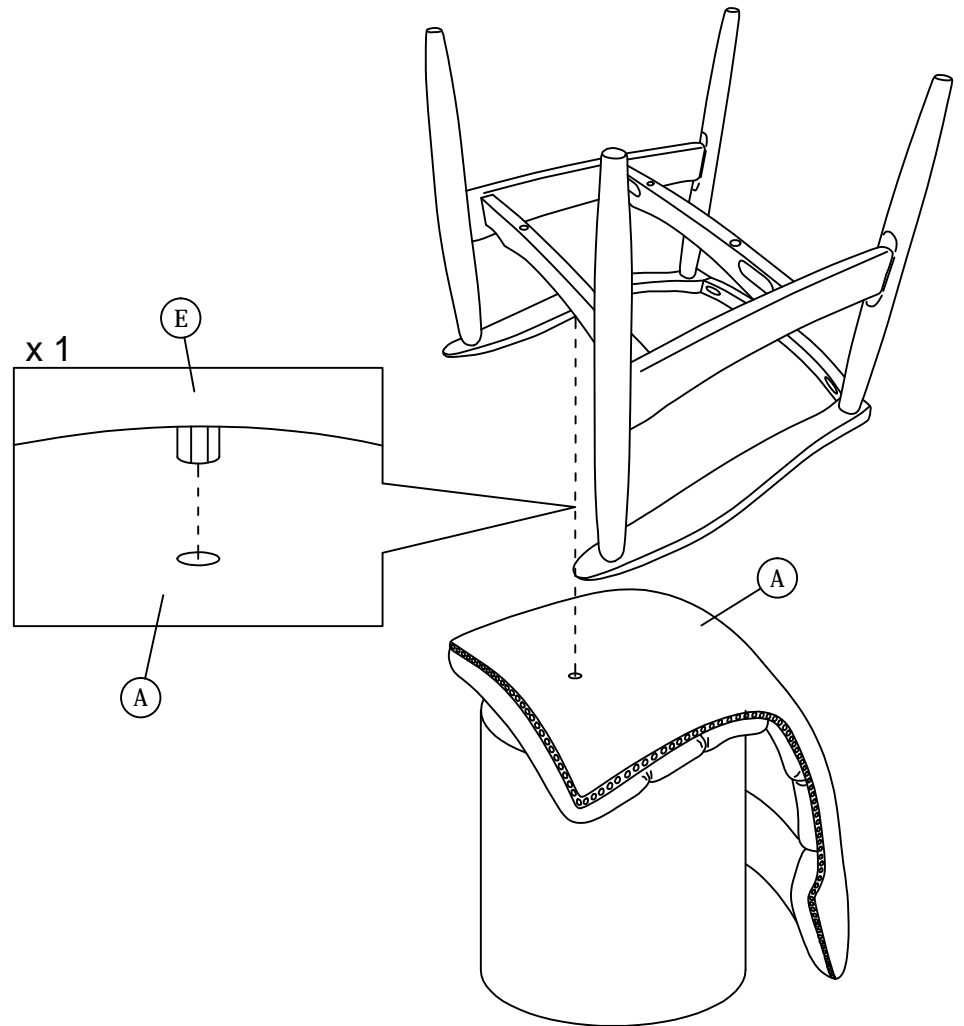
ASSEMBLY INSTRUCTIONS

STEP 3



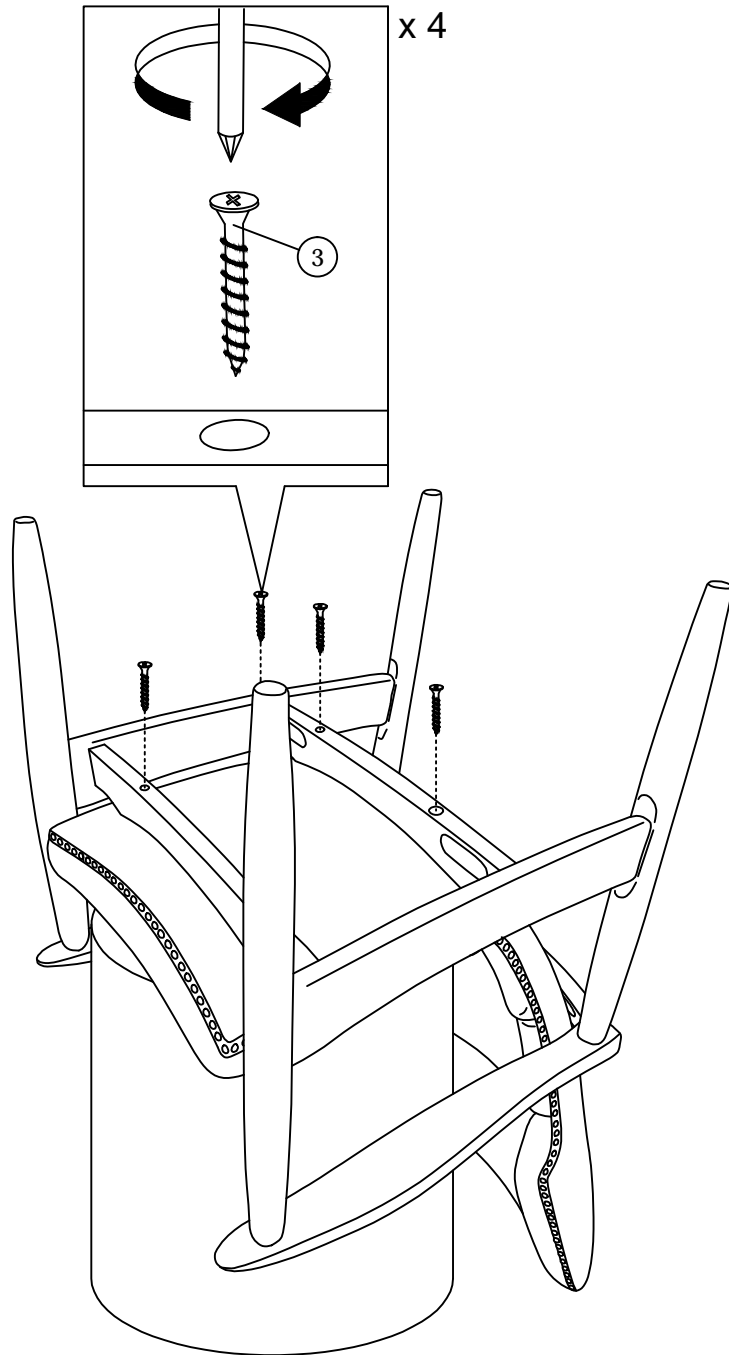
STEP 4

- STEP 4.1 - Affix the hole on the chair (A) with the wood dowel on front stretcher (E).
- STEP 4.2 - Carefully turn chair upside down and make sure chair (A) is aligned and balanced.



ASSEMBLY INSTRUCTIONS

STEP 5



STEP 6

