

Read this instruction carefully. See hardware and furniture part list for guidance. Be sure all parts are complete, before you assemble. Place all wooden furniture parts on a clean and flat soft surface to prevent from being scratched. Follow the figure to start assembling.

CAUTIONS : 1. Do not FULLY - TIGHTEN the nut or nut bolt until all nut or bolt is ready assembled.
 2. Do not OVER - TIGHTEN the nut or bolt to avoid causing damages to the thread.
 3. Keep all hardware parts out of reach of children.

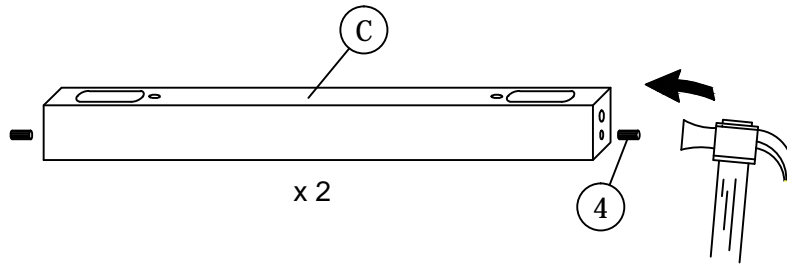
NOTE : THE LIST AND QUANTITY SHOWN ARE FOR 1 UNIT ASSEMBLY.

Tool needed : Screwdriver & Hammer (not provided).

| PART LIST | | |
|-----------|--------------|-------|
| ITEM | DESCRIPTION | QTY |
| A | CUSHION | 1 PC |
| B | LEG | 2 PCS |
| C | SUPPORT RAIL | 2 PCS |

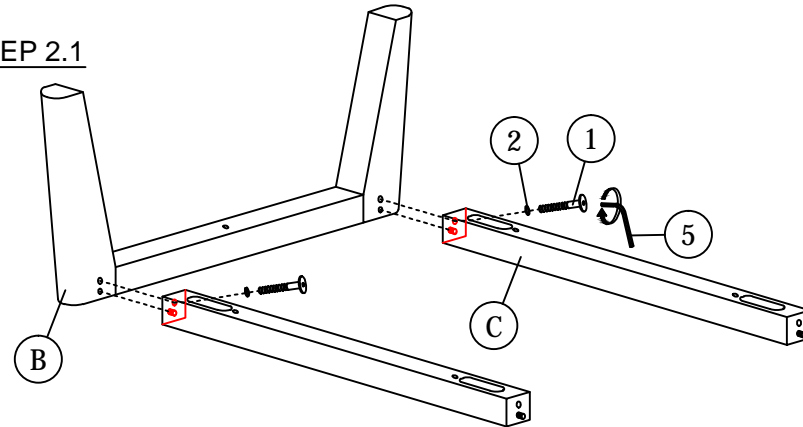
| HARDWARE LIST | | |
|---------------|---------------------------|-------|
| ITEM | DESCRIPTION | QTY |
| 1 | JCBB BOLT M8 x 45mm | 4 PCS |
| 2 | M8 SPRING WASHER | 4 PCS |
| 3 | WOOD SCREW M4 x 32mm | 6 PCS |
| 4 | WOOD DOWEL M10 x 40mm | 4 PCS |
| 5 | M5 ALLEN KEY (BALL SHAPE) | 1 PC |

STEP 1

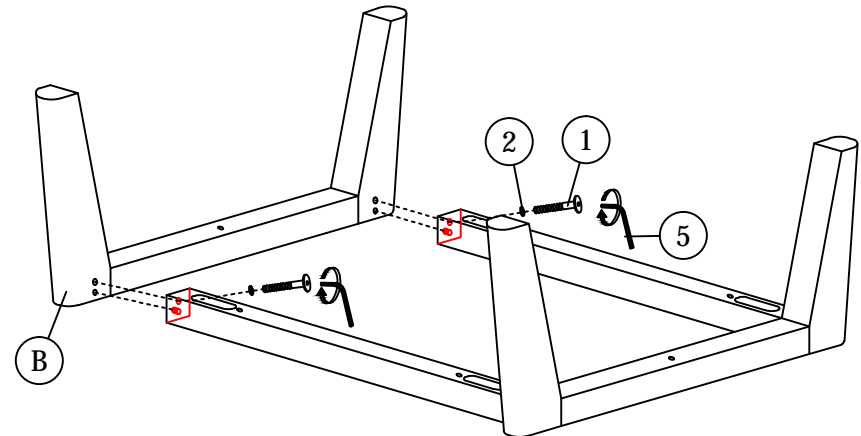


STEP 2

STEP 2.1



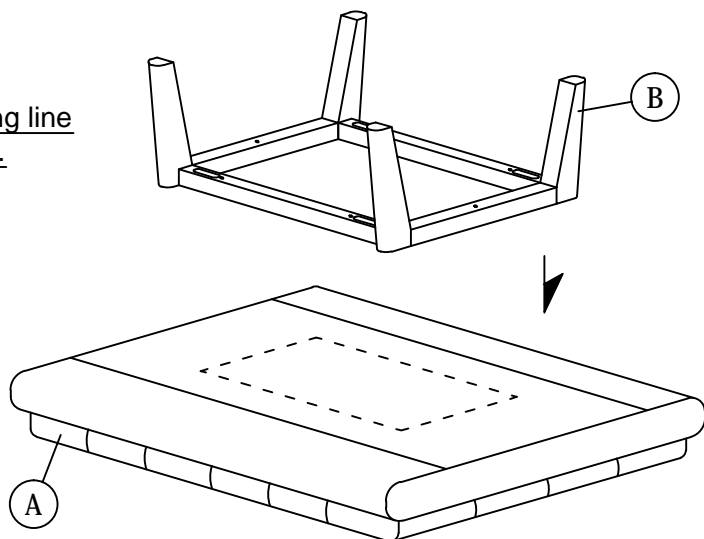
STEP 2.2



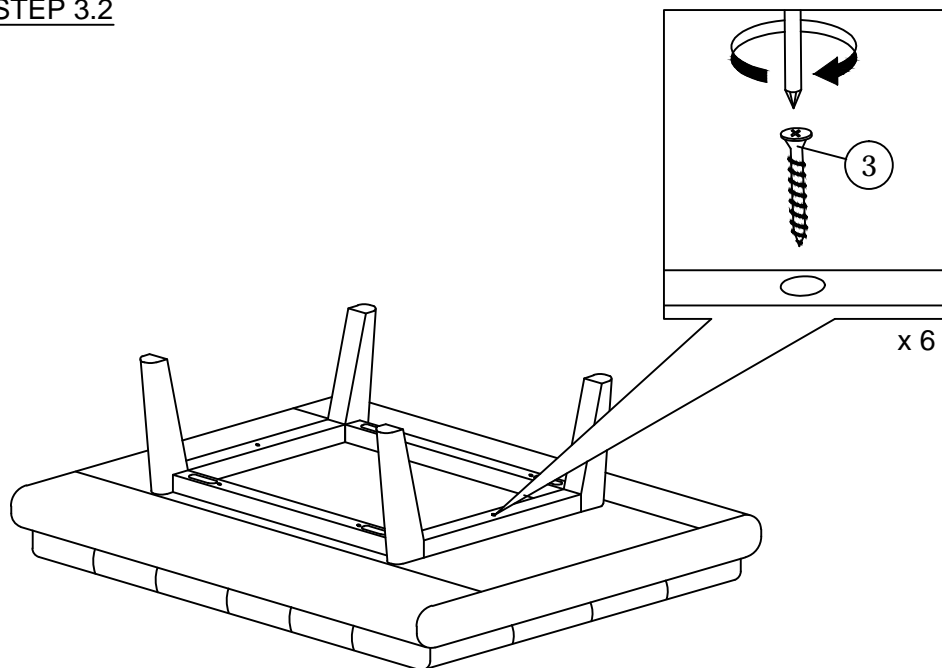
STEP 3

STEP 3.1

Follow marking line
assemble leg.



STEP 3.2



STEP 4

