

Read this instruction carefully. See hardware and furniture part list for guidance. Be sure all parts are complete, before you assemble. Place all wooden furniture parts on a clean and flat soft surface to prevent from being scratched. Follow the figure to start assembling.

CAUTIONS : 1. Do not FULLY - TIGHTEN the nut or nut bolt until all nut or bolt is ready assembled.
 2. Do not OVER - TIGHTEN the nut or bolt to avoid causing damages to the thread.
 3. Keep all hardware parts out of reach of children.

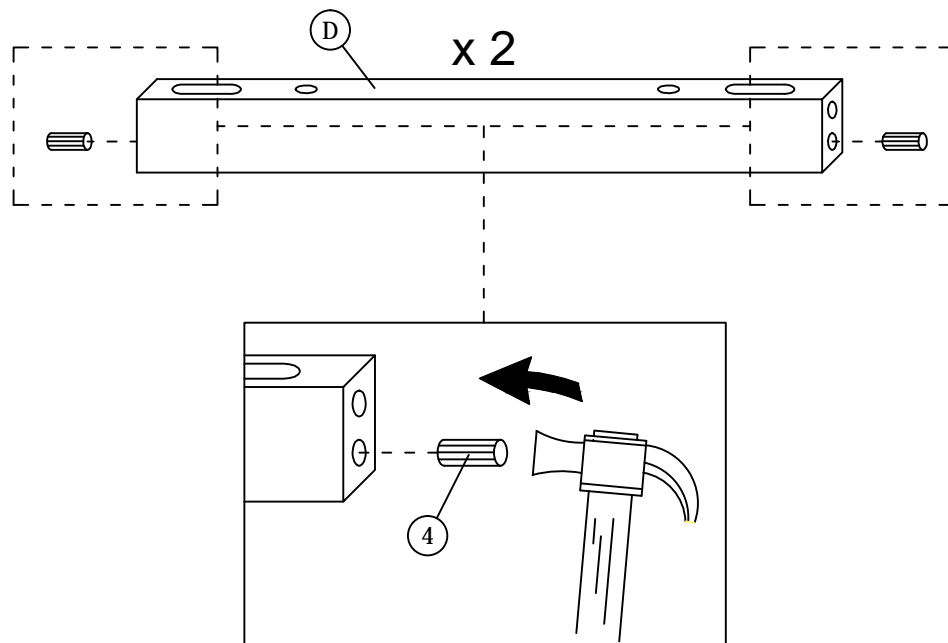
NOTE : THE LIST AND QUANTITY SHOWN ARE FOR 1 UNIT ASSEMBLY.

Tool needed : Hammer (not provided).

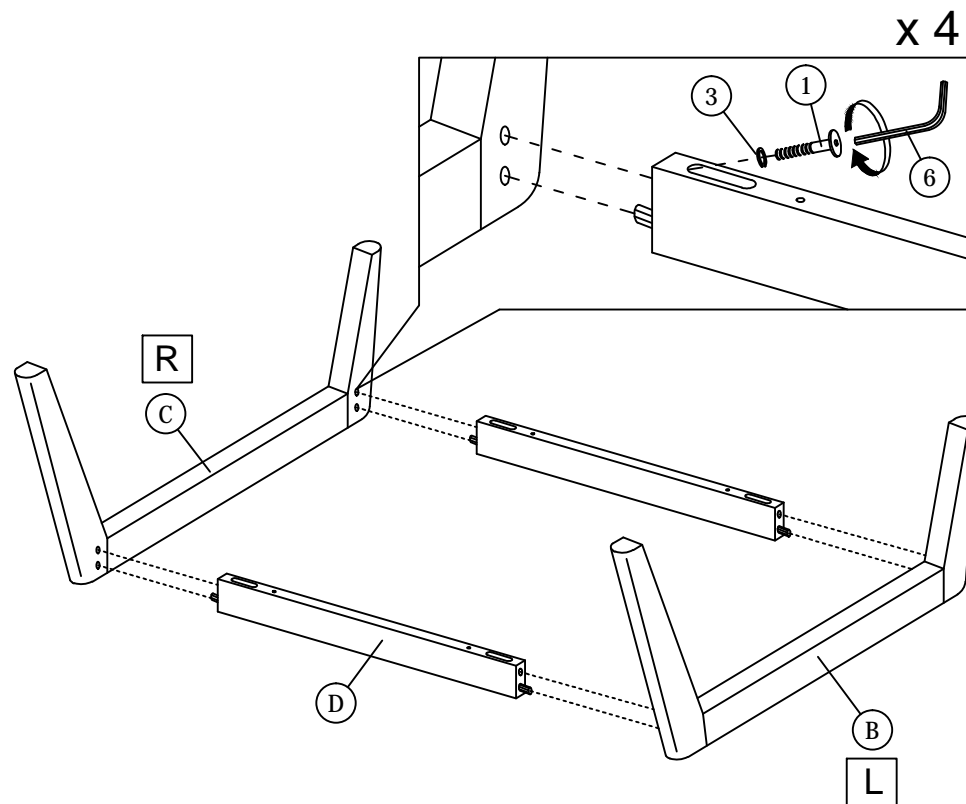
PART LIST		
ITEM	DESCRIPTION	QTY
A	CUSHION	1 PC
B	LEG (LEFT)	1 PC
C	LEG (RIGHT)	1 PC
D	SUPPORT RAIL	2 PCS

HARDWARE LIST		
ITEM	DESCRIPTION	QTY
1	JCBB BOLT M8 x 45mm 	4 PCS
2	JCBC BOLT M6 x 45mm 	4 PCS
3	M8 SPRING WASHER 	4 PCS
4	WOOD DOWEL M10 x 40mm 	4 PCS
5	M4 ALLEN KEY (BALL SHAPE) 	1 PC
6	M5 ALLEN KEY (BALL SHAPE) 	1 PC

STEP 1

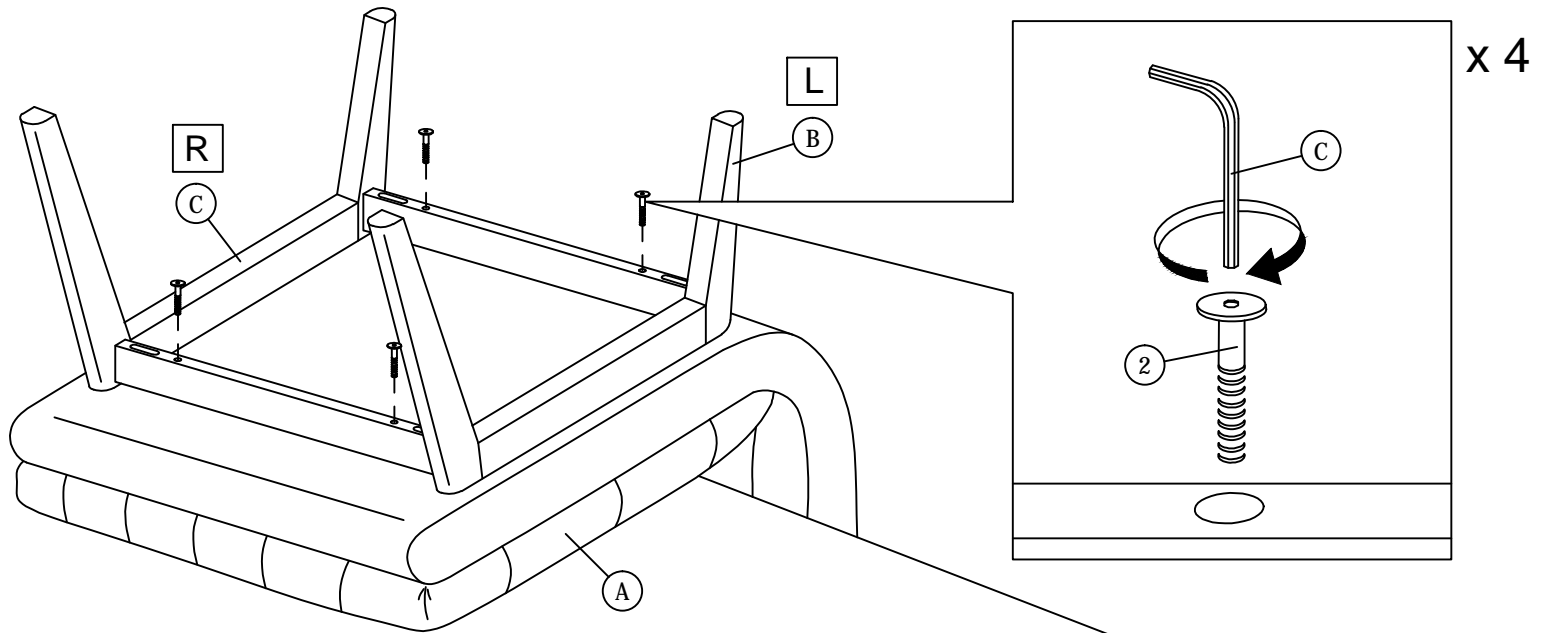


STEP 2



ASSEMBLY INSTRUCTIONS

STEP 3



STEP 4

