

Read this instruction carefully. See hardware and furniture part list for guidance. Be sure all parts are complete, before you assemble. Place all wooden furniture parts on a clean and flat soft surface to prevent from being scratched. Follow the figure to start assembling.

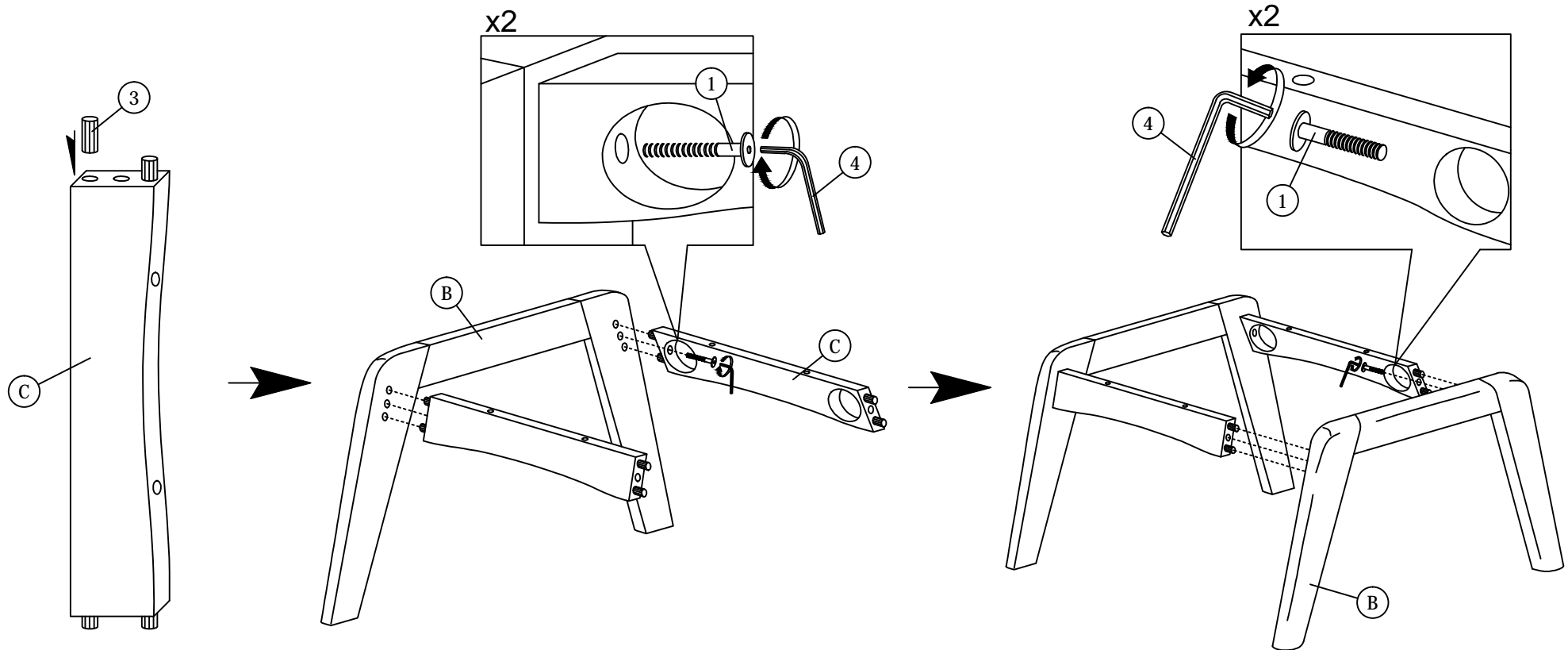
**CAUTIONS :** 1. Do not FULLY - TIGHTEN the nut or nut bolt until all nut or bolt is ready assembled.  
 2. Do not OVER - TIGHTEN the nut or bolt to avoid causing damages to the thread.  
 3. Keep all hardware parts out of reach of children.

| PART LIST |              |       |
|-----------|--------------|-------|
| ITEM      | DESCRIPTION  | QTY   |
| A         | CUSHION      | 1 PC  |
| B         | LEG          | 2 PCS |
| C         | SUPPORT RAIL | 2 PCS |

| HARDWARE LIST |   |      |
|---------------|---|------|
| ITEM          | DESCRIPTION   | QTY  |
| 1             | JCBB BOLT M8 x 40mm        | 4pcs |
| 2             | WOOD SCREW M4 x 38mm       | 4pcs |
| 3             | WOOD DOWEL M10 x 35mm      | 8pcs |
| 4             | M5 ALLEN KEY (BALL SHAPE)  | 1pc  |

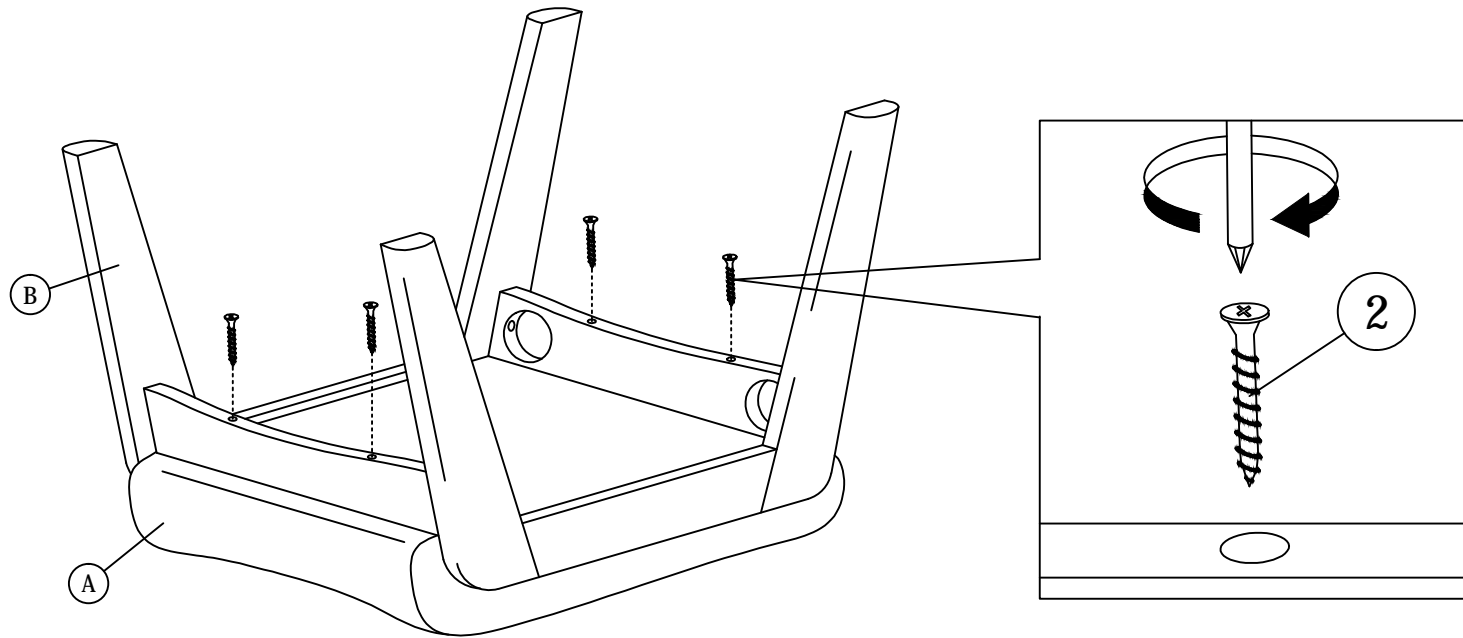
NOTE : THE LIST AND QUANTITY SHOWN ARE FOR 1 UNIT ASSEMBLY.  
 Tool needed : Screwdriver (not provided).

## STEP 1



# ASSEMBLY INSTRUCTIONS

## STEP 2



## STEP 3

