

Read this instruction carefully. See hardware and furniture part list for guidance. Be sure all parts are complete, before you assemble. Place all wooden furniture parts on a clean and flat soft surface to prevent from being scratched. Follow the figure to start assembling.

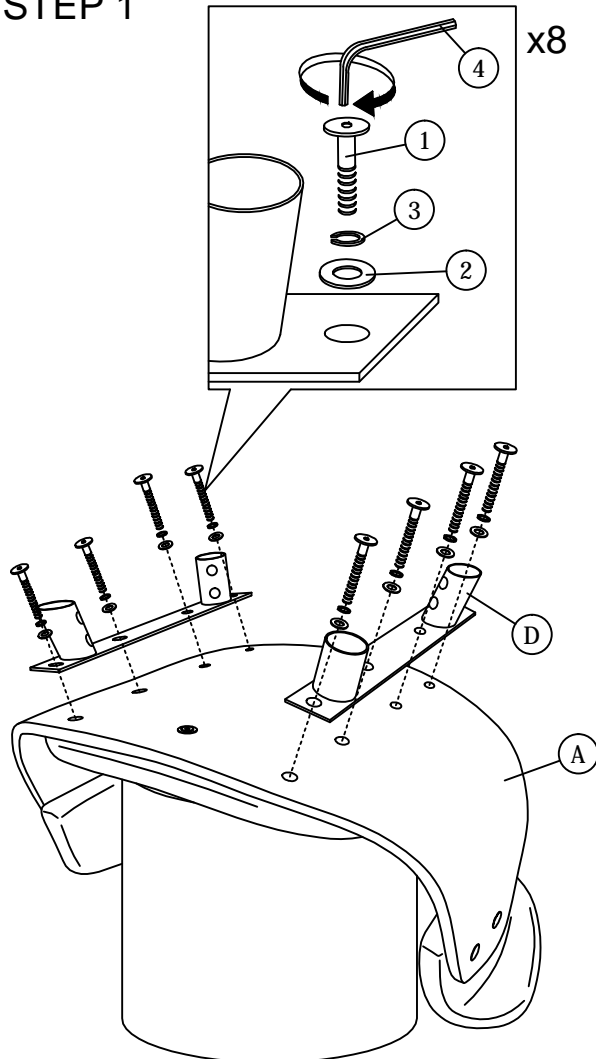
**CAUTIONS :** 1. Do not FULLY - TIGHTEN the nut or nut bolt until all nut or bolt is ready assembled.  
 2. Do not OVER - TIGHTEN the nut or bolt to avoid causing damages to the thread.  
 3. Keep all hardware parts out of reach of children.

PART LIST		
ITEM	DESCRIPTION	QTY
A	CHAIR	1 PC
B	CHAIR LEG (L)	2 PCS
C	CHAIR LEG (R)	2 PCS
D	METAL BRACKET	2 PCS

HARDWARE LIST		
ITEM	DESCRIPTION	QTY
1	JCBC BOLT M6 x 20mm 	16 PCS
2	M6 FLAT WASHER 	16 PCS
3	M6 SPRING WASHER 	16 PCS
4	M4 ALLEN KEY (BALL SHAPE) 	1 PC

NOTE : THE LIST AND QUANTITY SHOWN ARE FOR 1 UNIT ASSEMBLY.

## STEP 1

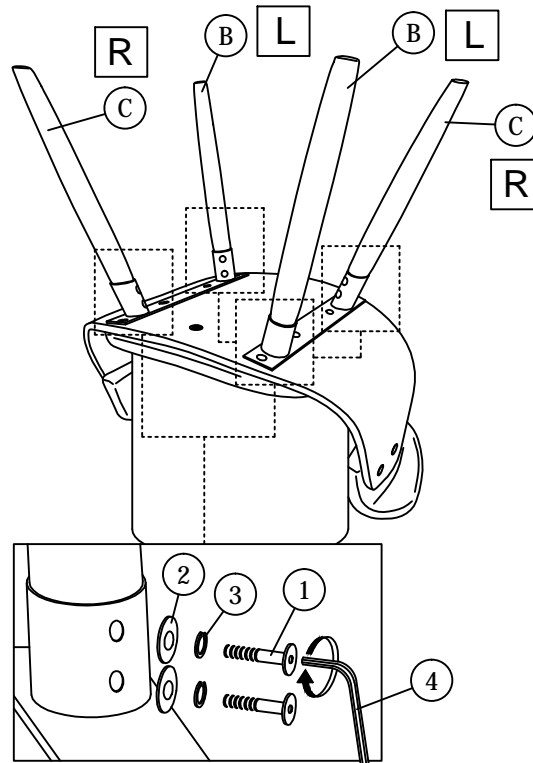


## STEP 2

### STEP 2.1

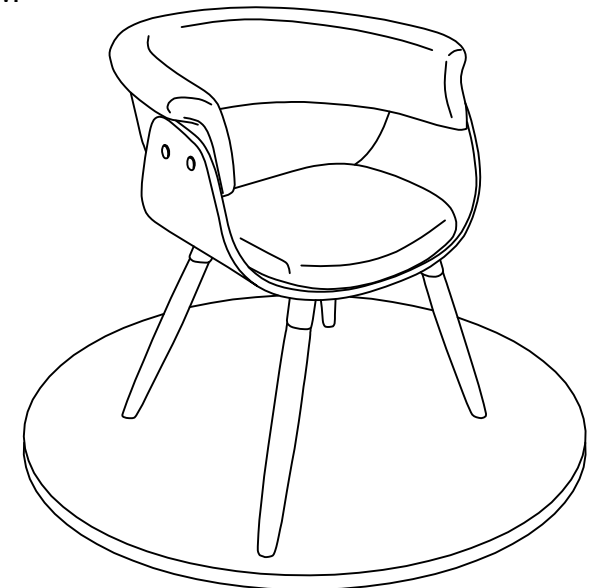
Attach the chair leg(L)[B] & chair leg(R)[C] to the chair[A],using the JCBC Bolt M6 x 20mm (1) ; M6 Flat Washer (2) and M6 Spring Washer (3) using M4 Allen Kay (4).

**NOTE : Don't Screw tied.**



### STEP 2.2

Place the chair on the flat place and adjust the alignment and balance of the legs then,tighten the screw.



# ASSEMBLY INSTRUCTIONS

2 of 2

STEP 3

