

Read this instruction carefully. See hardware and furniture part list for guidance. Be sure all parts are complete, before you assemble. Place all wooden furniture parts on a clean and flat soft surface to prevent from being scratched. Follow the figure to start assembling.

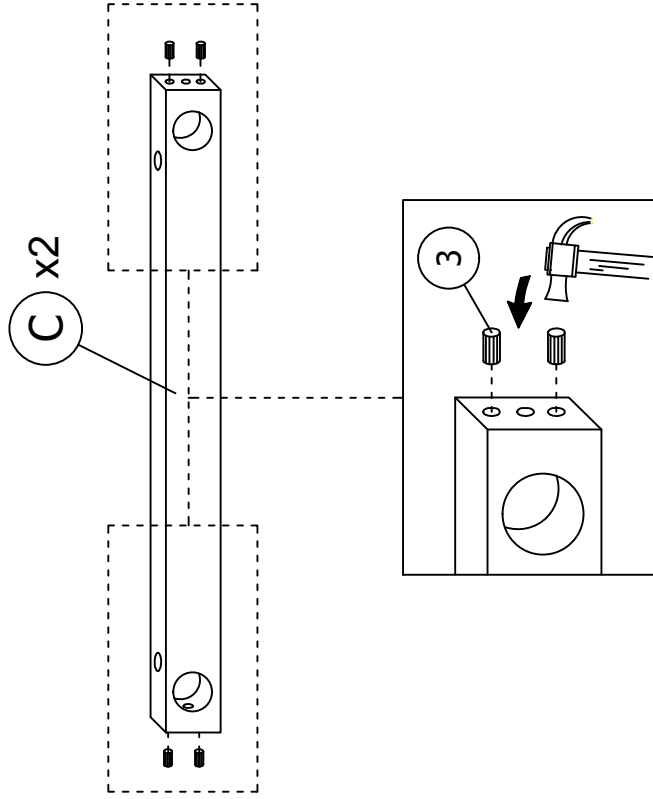
CAUTIONS : 1. Do not FULLY - TIGHTEN the nut or bolt until all nut or bolt is ready assembled.
 2. Do not OVER - TIGHTEN the nut or bolt to avoid causing damages to the thread.
 3. Keep all hardware parts out of reach of children.

NOTE : THE LIST AND QUANTITY SHOWN ARE FOR 1 UNIT ASSEMBLY.
 Tool needed : Screwdriver & Hammer (not provided).

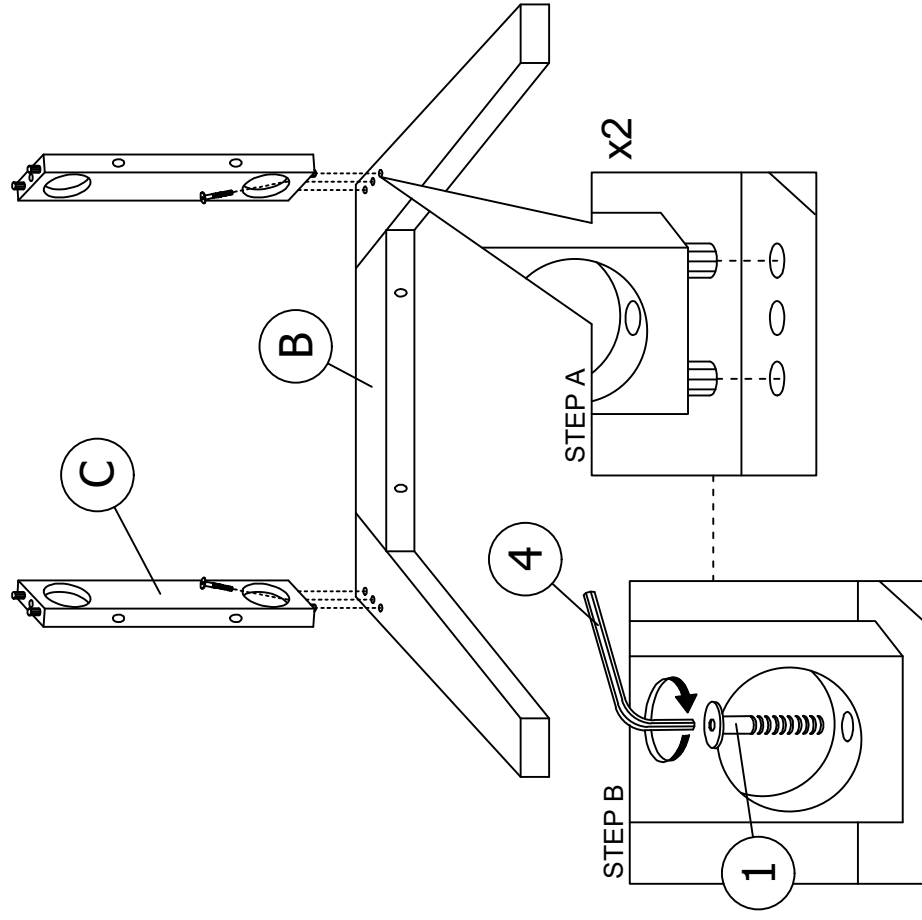
PART LIST		HARDWARE LIST	
ITEM	DESCRIPTION	DESCRIPTION	QTY
A	CUSHION	JCBB BOLT M8 x 45mm	4 PCS
B	LEG	WOOD SCREW M4 x 38mm	8 PCS
C	SUPPORT RAIL	WOOD DOWEL M8 x 35mm	8 PCS
		M5 ALLEN KEY (BALL SHAPE)	1 PC

ITEM	DESCRIPTION	QTY
1	JCBB BOLT M8 x 45mm	4 PCS
2	WOOD SCREW M4 x 38mm	8 PCS
3	WOOD DOWEL M8 x 35mm	8 PCS
4	M5 ALLEN KEY (BALL SHAPE)	1 PC

STEP 1

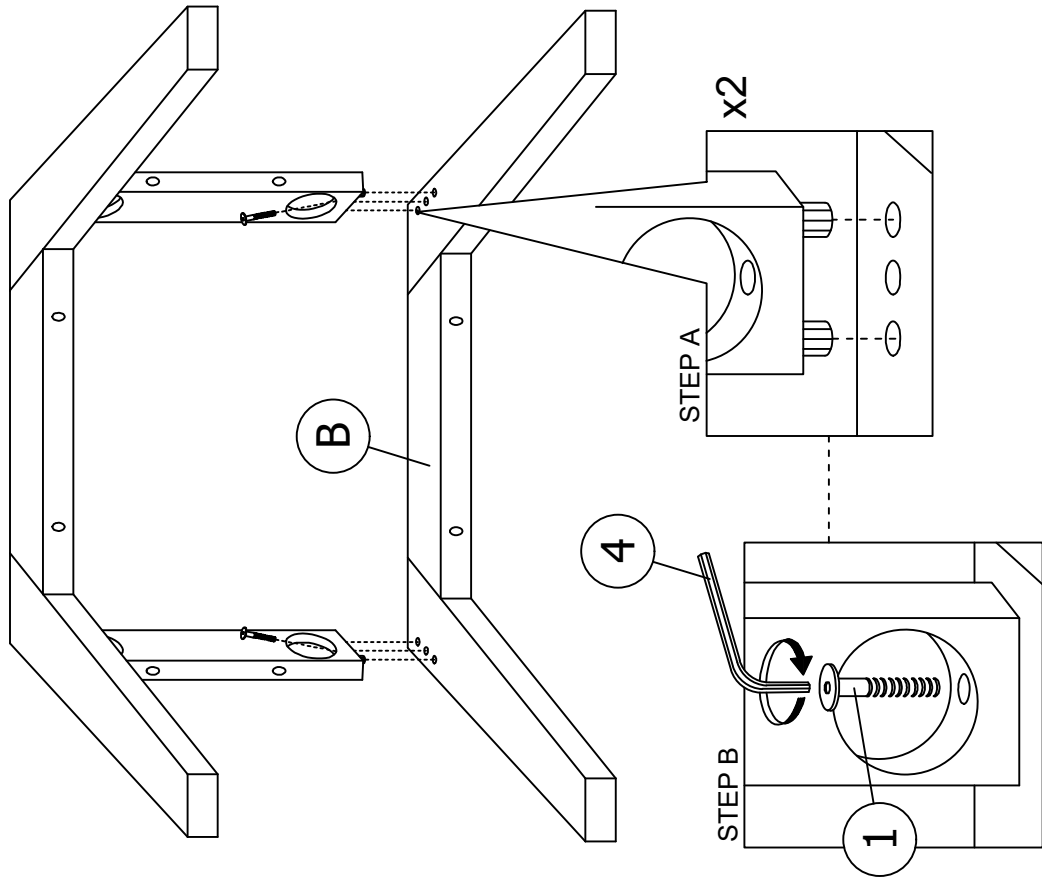


STEP 2



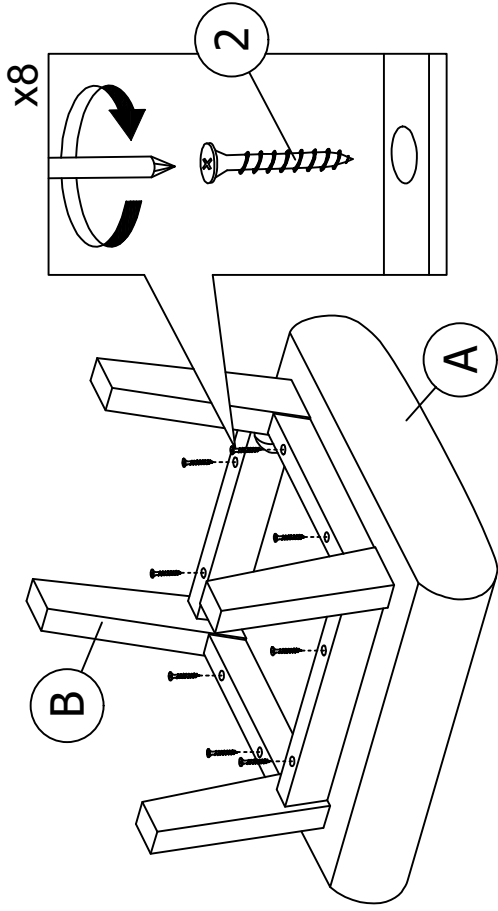
ASSEMBLY INSTRUCTIONS

STEP 3



STEP 4

Note : Follow the line drawing to assemble the chair leg.



STEP 5

