

Read this instruction carefully. See hardware and furniture part list for guidance. Be sure all parts are complete, before you assemble. Place all wooden furniture parts on a clean and flat soft surface to prevent from being scratched. Follow the figure to start assembling.

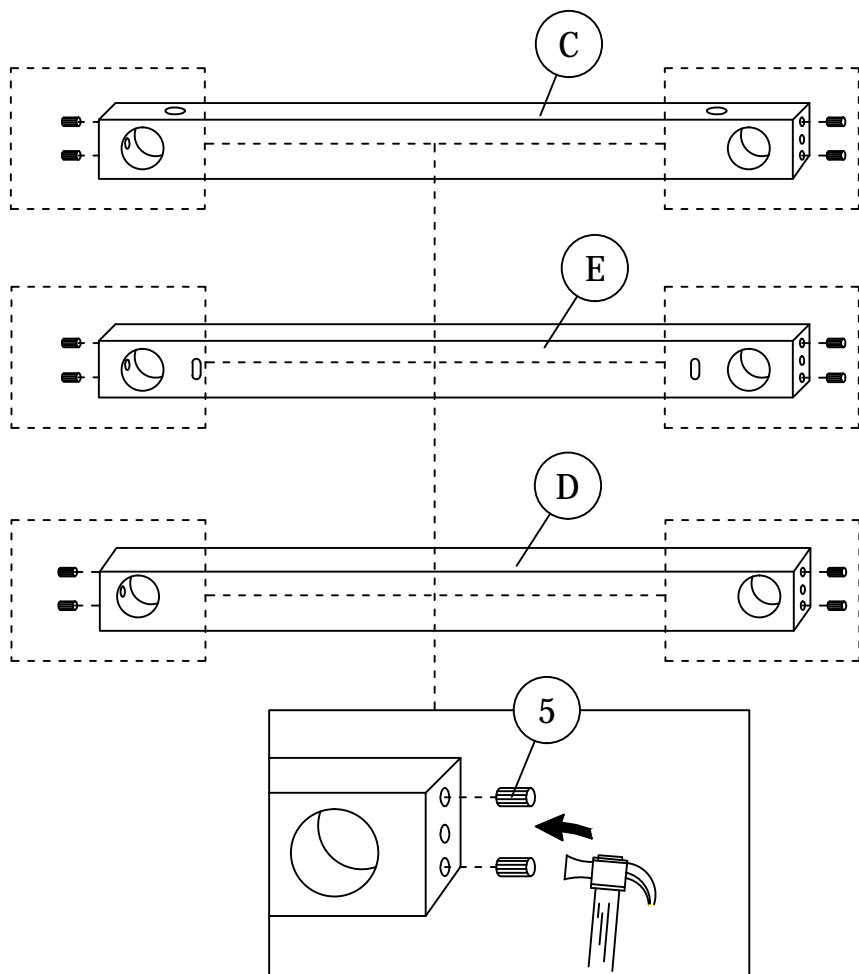
CAUTIONS : 1. Do not FULLY - TIGHTEN the nut or nut bolt until all nut or bolt is ready assembled.
 2. Do not OVER - TIGHTEN the nut or bolt to avoid causing damages to the thread.
 3. Keep all hardware parts out of reach of children.

NOTE : THE LIST AND QUANTITY SHOWN ARE FOR 1 UNIT ASSEMBLY.
 Tool needed : Screwdriver & Hammer (not provider).

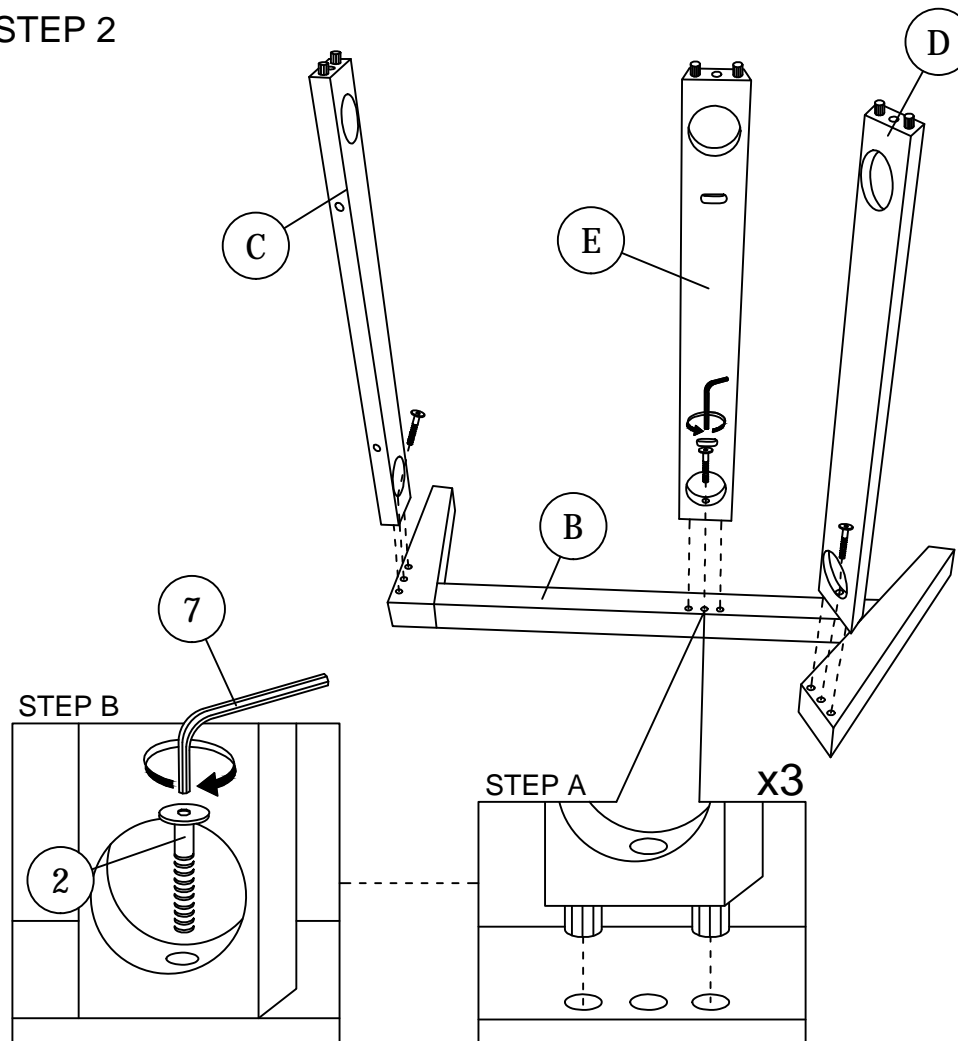
PART LIST		
ITEM	DESCRIPTION	QTY
A	CHAIR	1 PC
B	LEG	2 PCS
C	FRONT SUPPORT WOOD	1 PC
D	BACK SUPPORT WOOD	1 PC
E	SEAT SUPPORT WOOD	1 PC

HARDWARE LIST		
ITEM	DESCRIPTION	QTY
1	JCBB Bolt M8 x 50mm	2pcs
2	JCBB Bolt M8 x 45mm	6pcs
3	M8 FLAT WASHER	2pcs
4	M8 SPRING WASHER	2pcs
5	WOOD DOWEL M10 x 40mm	12pcs
6	WOOD SCREW M4 x 32mm	2pcs
7	M5 ALLEN KEY (BALL SHAPE)	1pc

STEP 1

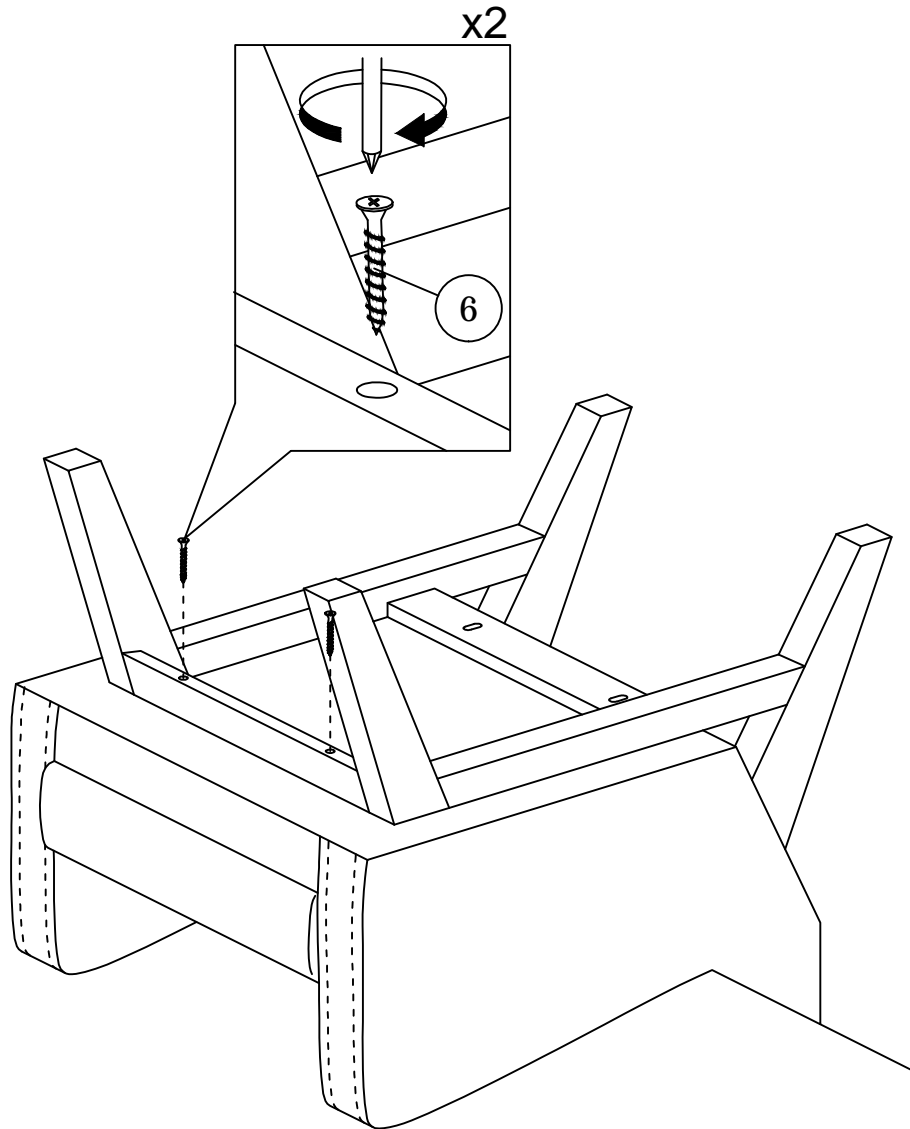


STEP 2



ASSEMBLY INSTRUCTIONS

STEP 5



STEP 6

