









Read this instruction carefully. See hardware and furniture part list for guidance. Be sure all parts are complete, before you assemble. Place all wooden furniture parts on a clean and flat soft surface to prevent from being scratched. Follow the figure to start assembling.

CAUTIONS : 1. Do not FULLY - TIGHTEN the nut or nut bolt until all nut or bolt is ready assembled.
 2. Do not OVER - TIGHTEN the nut or bolt to avoid causing damages to the thread.
 3. Keep all hardware parts out of reach of children.

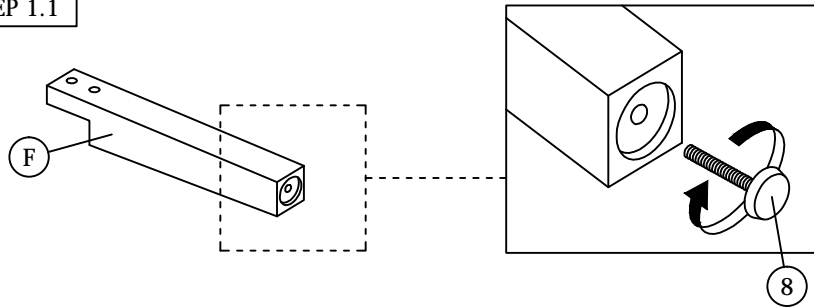
NOTE : THE LIST AND QUANTITY SHOWN ARE FOR 1 UNIT ASSEMBLY.
 Tool needed : Screwdriver (not provider).

PART LIST		
ITEM	DESCRIPTION	QTY
A	CHAIR BACK	1 PC
B	CHAIR SEAT FRAME	1 PC
C	CUSHION	1 PC
D	ARM (L)	1 PC
E	ARM (R)	1 PC
F	CENTER LEG	1 PC

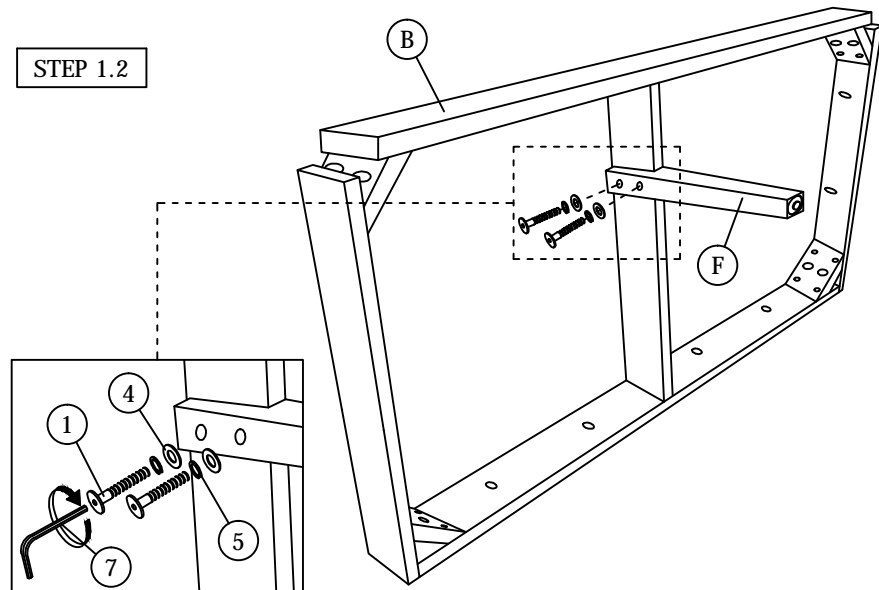
HARDWARE LIST		
ITEM	DESCRIPTION	QTY
1	JCBC Bolt M6 x 35mm 	6 PCS
2	JCBC Bolt M6 x 60mm 	4 PCS
3	JCBC Bolt M6 x 80mm 	4 PCS
4	M6 FLAT WASHER 	14 PCS
5	M6 SPRING WASHER 	14 PCS
6	WOOD SCREW M4 x 32mm 	12 PCS
7	M4 ALLEN KEY (BALL SHAPE) 	1 PC
8	M6 x 16mm ADJUSTER SCREW 	1 PC

STEP 1

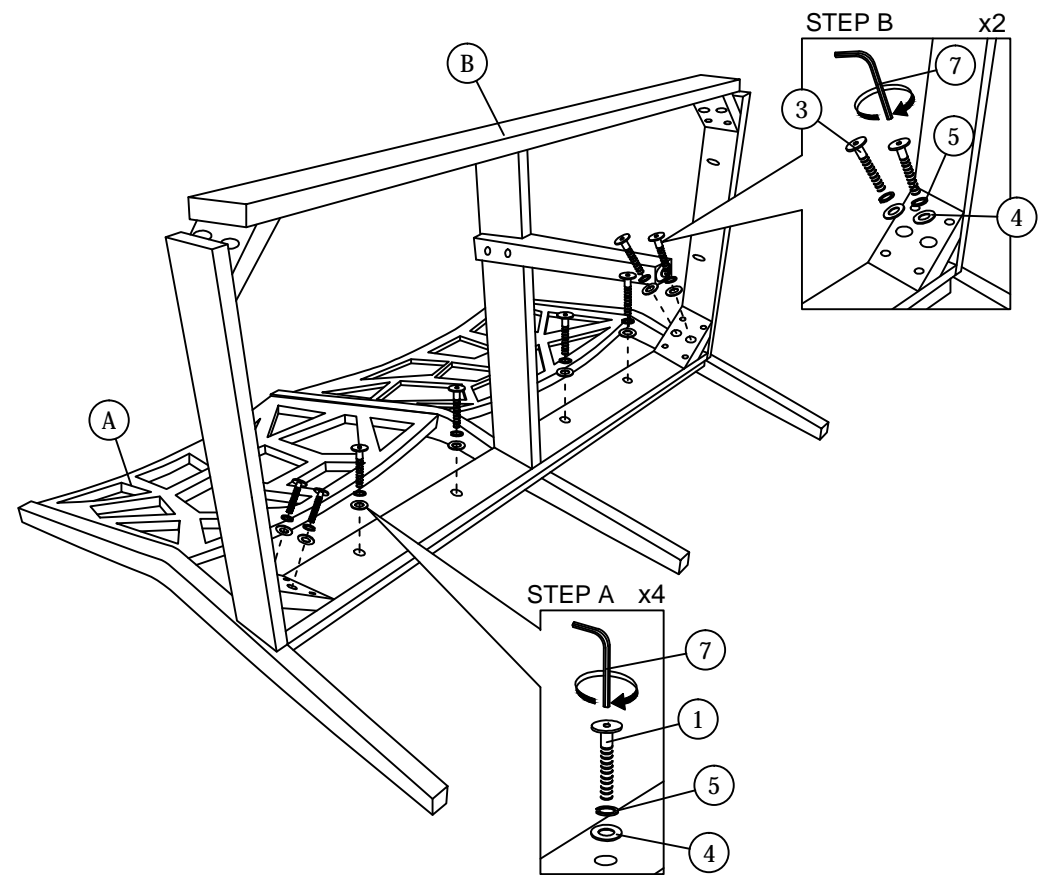
STEP 1.1



STEP 1.2



STEP 2



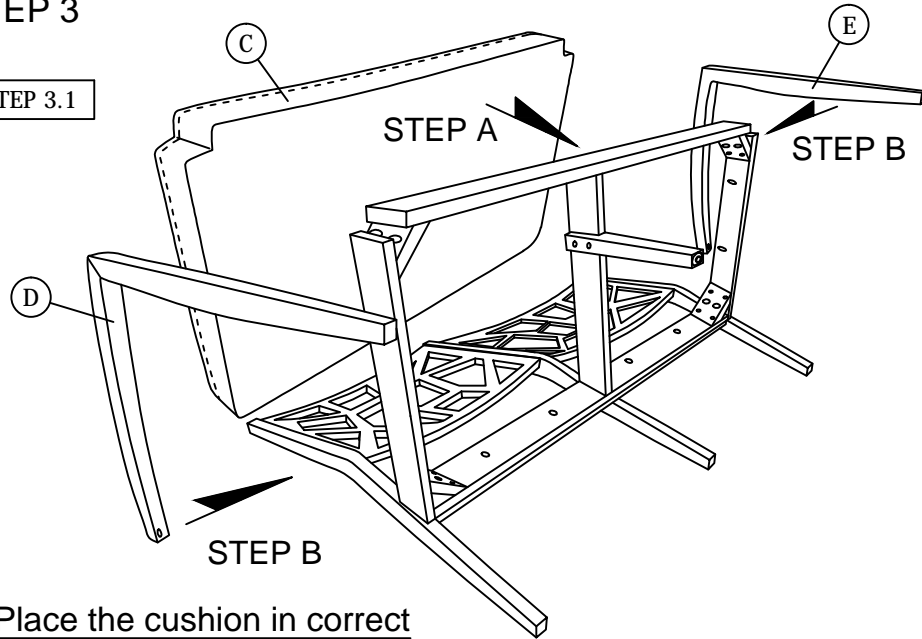
**** After complete step B, tighten the step A bolt.**

Don't screw tight

ASSEMBLY INSTRUCTIONS

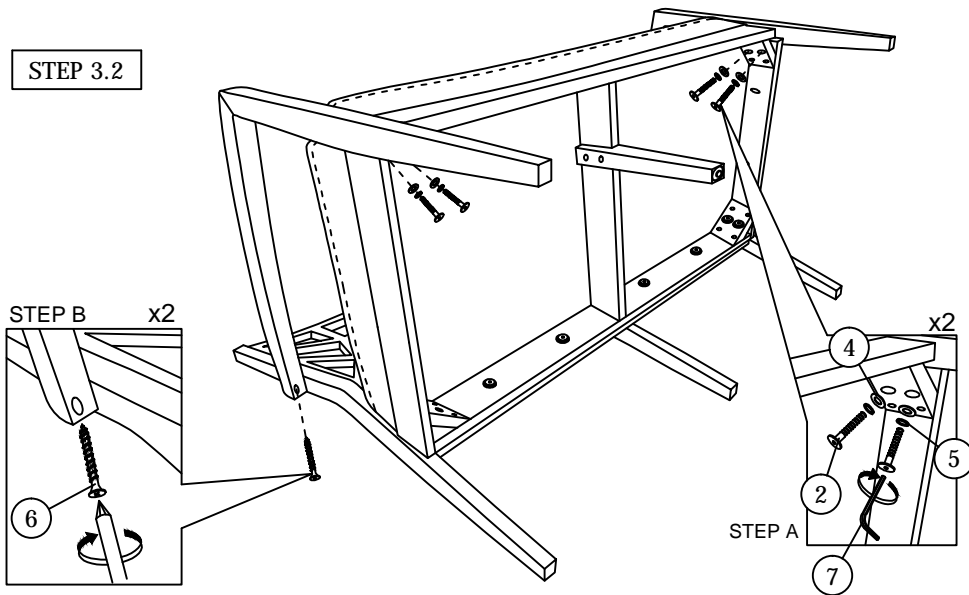
STEP 3

STEP 3.1

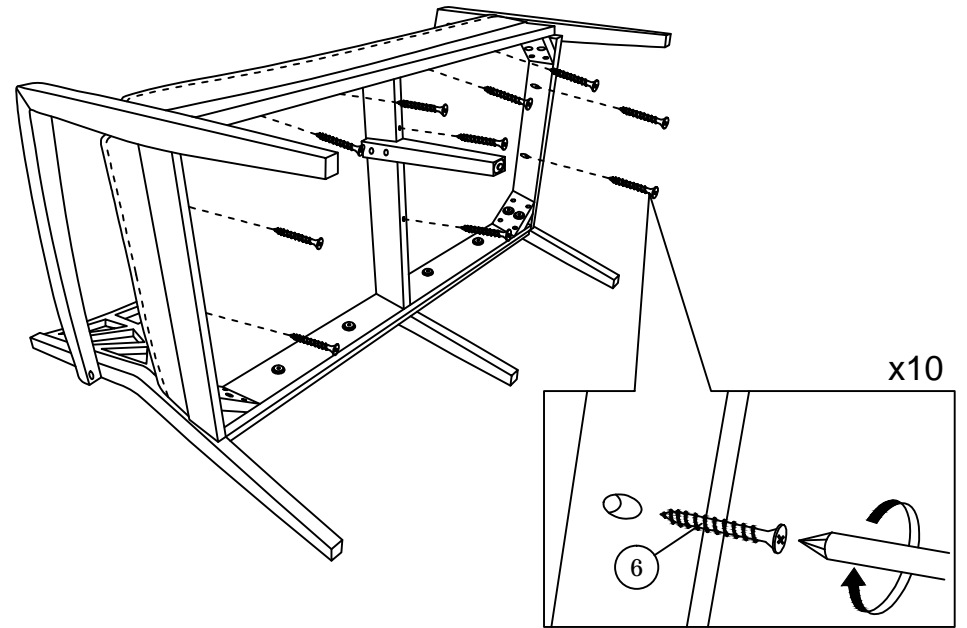


****Place the cushion in correct position as picture shown.**

STEP 3.2



STEP 4



STEP 5

