

MODEL : BBT5240.11 Chair

ASSEMBLY INSTRUCTIONS

Read this instruction carefully. See hardware and furniture part list for guidance. Be sure all parts are complete, before you assemble. Place all wooden furniture parts on a clean and flat soft surface to prevent from being scratched. Follow the figure to start assembling.

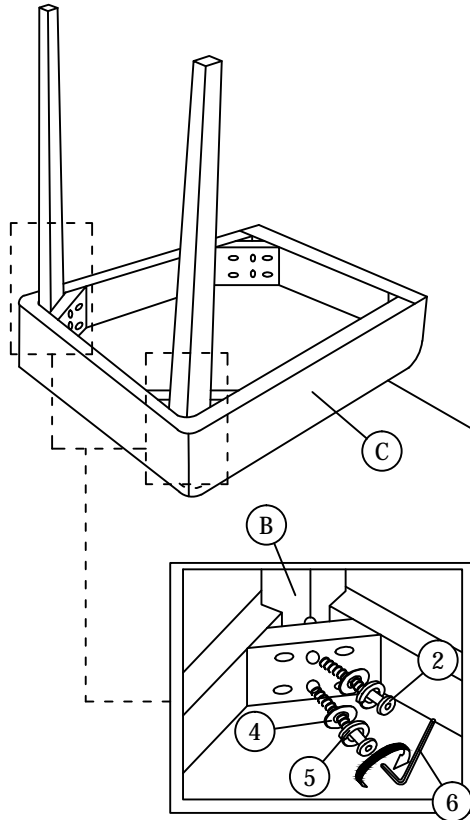
CAUTIONS : 1. Do not FULLY - TIGHTEN the nut or nut bolt until all nut or bolt is ready assembled.
2. Do not OVER - TIGHTEN the nut or bolt to avoid causing damages to the thread.
3. Keep all hardware parts out of reach of children.

PART LIST		
ITEM	DESCRIPTION	QTY
A	CHAIR BACK	1 PC
B	FRONT LEG	2 PCS
C	CUSHION SEAT FRAME	1 PC

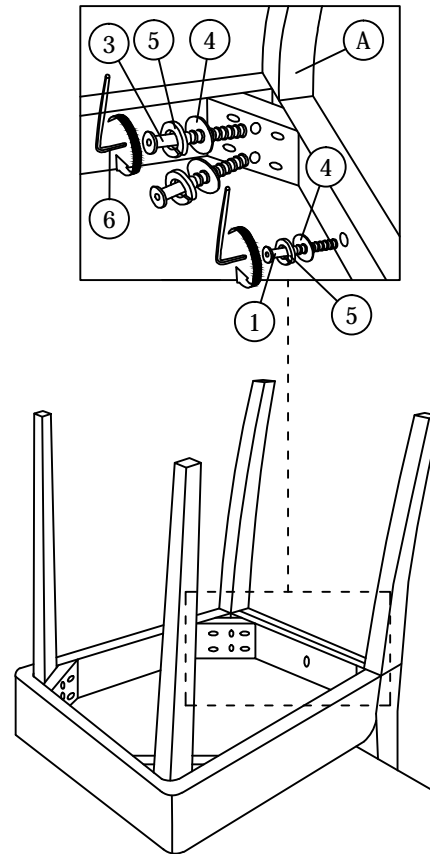
PART LIST		
ITEM	DESCRIPTION	QTY
1	JCBC Bolt M6 x 45mm	1pc
2	JCBC Bolt M6 x 60mm	4pcs
3	JCBC Bolt M6 x 80mm	4pcs
4	M6 Flat Washer	9pcs
5	M6 Spring Washer	9pcs
6	M4 Allen Key (Ball Shape)	1pc

NOTE : THE LIST AND QUANTITY SHOWN ARE FOR 1 UNIT ASSEMBLY.

STEP 1



STEP 2



STEP 3

