

Read this instruction carefully. See hardware and furniture part list for guidance. Be sure all parts are complete, before you assemble. Place all wooden furniture parts on a clean and flat soft surface to prevent from being scratched. Follow the figure to start assembling.

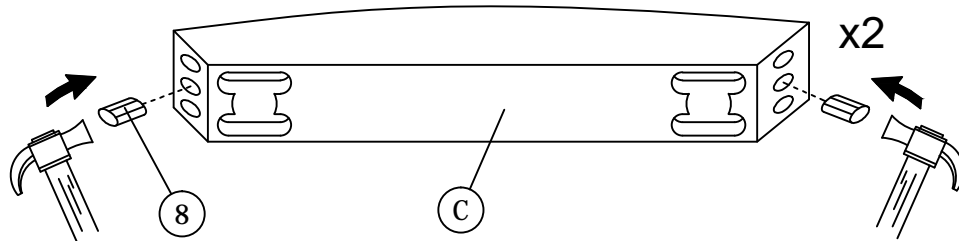
CAUTIONS : 1. Do not FULLY - TIGHTEN the nut or nut bolt until all nut or bolt is ready assembled.
 2. Do not OVER - TIGHTEN the nut or bolt to avoid causing damages to the thread.
 3. Keep all hardware parts out of reach of children.

NOTE : THE LIST AND QUANTITY SHOWN ARE FOR 1 UNIT ASSEMBLY.
 Tool needed : Screwdriver & Hammer (not provider).

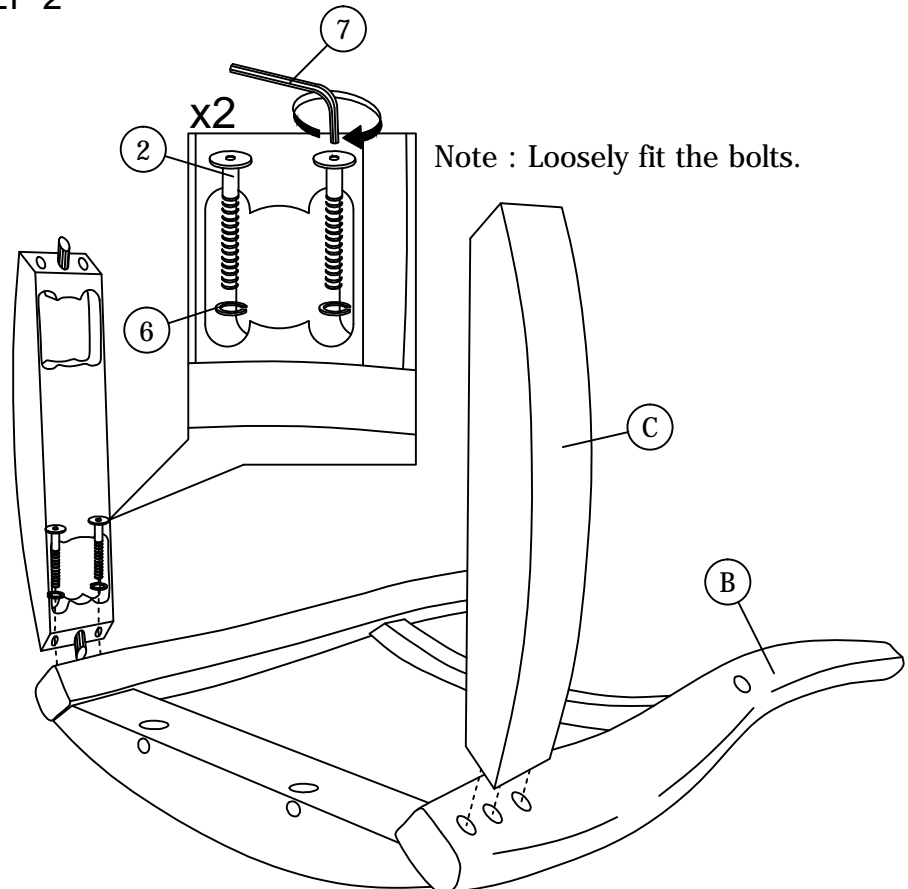
PART LIST		
ITEM	DESCRIPTION	QTY
A	CHAIR FRAME	1pc
B	CHAIR LEG	2pcs
C	SIDE RAIL	2pcs
D	SWIVEL PLATE	1pc
E	SIDE STRETCHER	2pcs
F	SUPPORT WOOD	2pcs

HARDWARE LIST		
ITEM	DESCRIPTION	QTY
1	JCBC BOLT M6 x 20mm	4pcs
2	JCBC BOLT M6 x 50mm	8pcs
3	WOOD SCREW M4 x 25mm	4pcs
4	WOOD SCREW M4 x 32mm	4pcs
5	M6 FLAT WASHER	4pcs
6	M6 SPRING WASHER	12pcs
7	M4 ALLEN KEY (BALL SHAPE)	1pc
8	WOOD DOWEL M8 x 35mm	4pcs
9	JCBB BOLT M8 x 50mm(BLACK)	4pcs
10	M8 HEX NUT (BLACK)	4pcs
11	M8 SPRING WASHER	4pcs
12	M8 FLAT WASHER	4pcs
13	SPANNER (13mm)	1pc
14	M5 ALLEN KEY (BALL SHAPE)	1pc

STEP 1



STEP 2

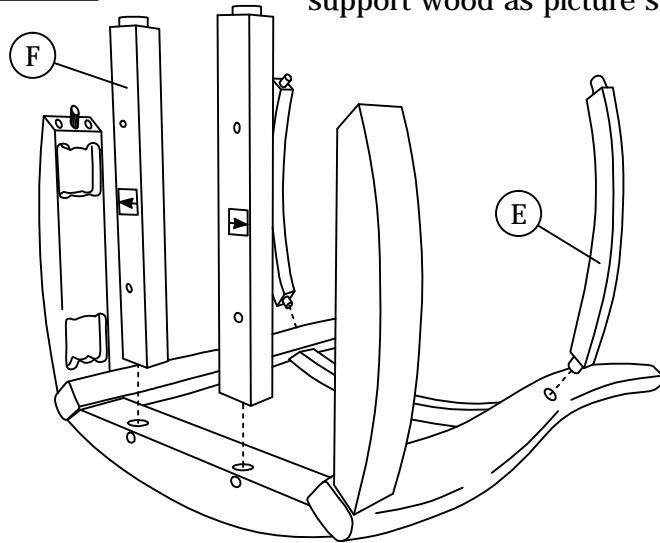


ASSEMBLY INSTRUCTIONS

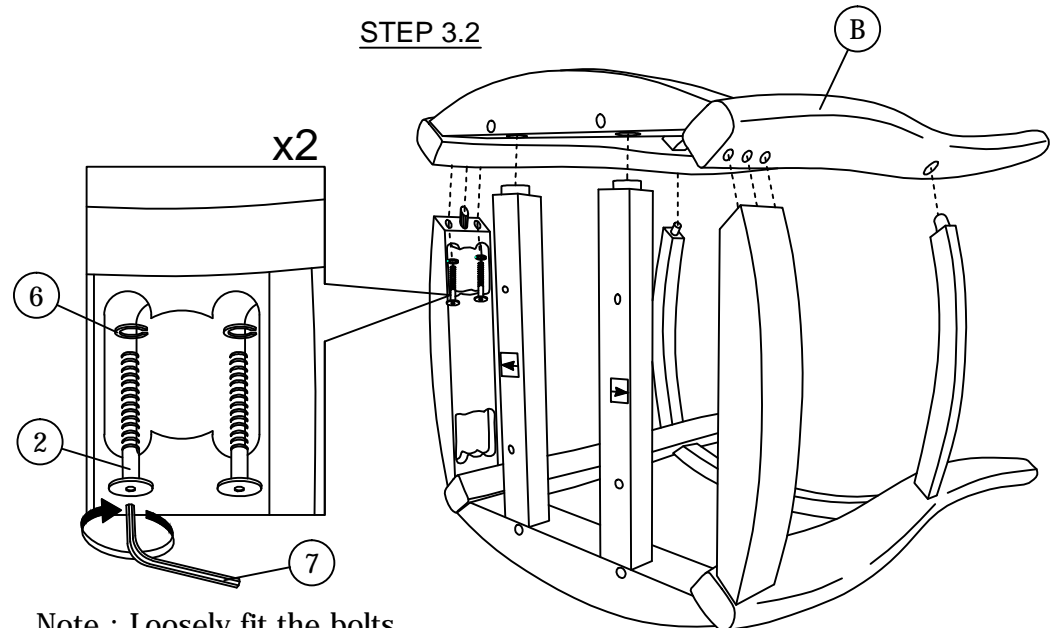
STEP 3

STEP 3.1

Follow the label direction to fix the support wood as picture shown.



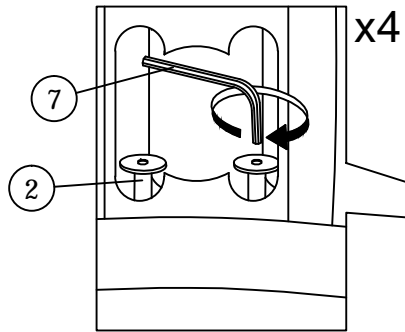
STEP 3.2



Note : Loosely fit the bolts.

STEP 4

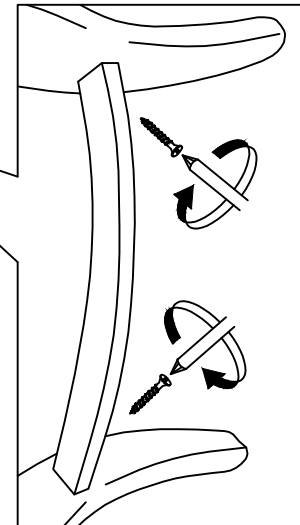
STEP B



Tighten all the bolts at this stage.

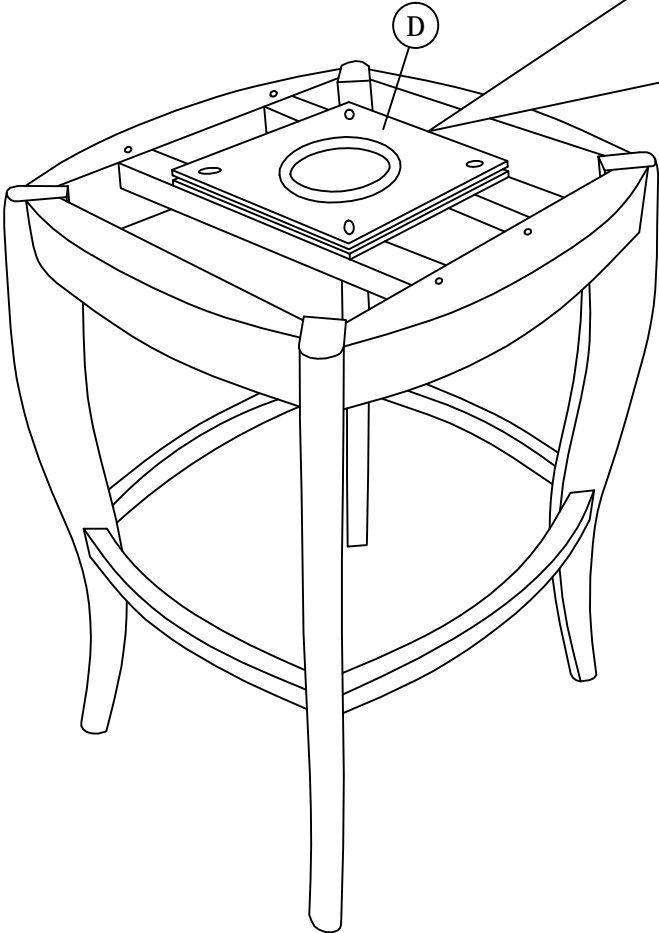
STEP A

x2

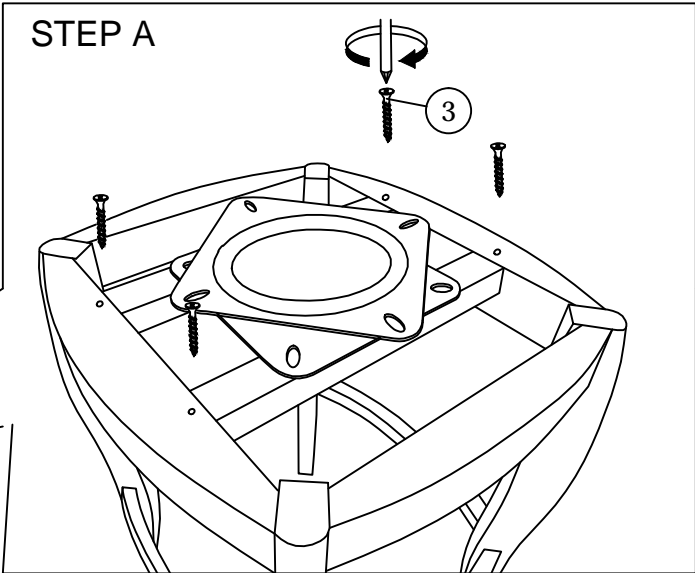


ASSEMBLY INSTRUCTIONS

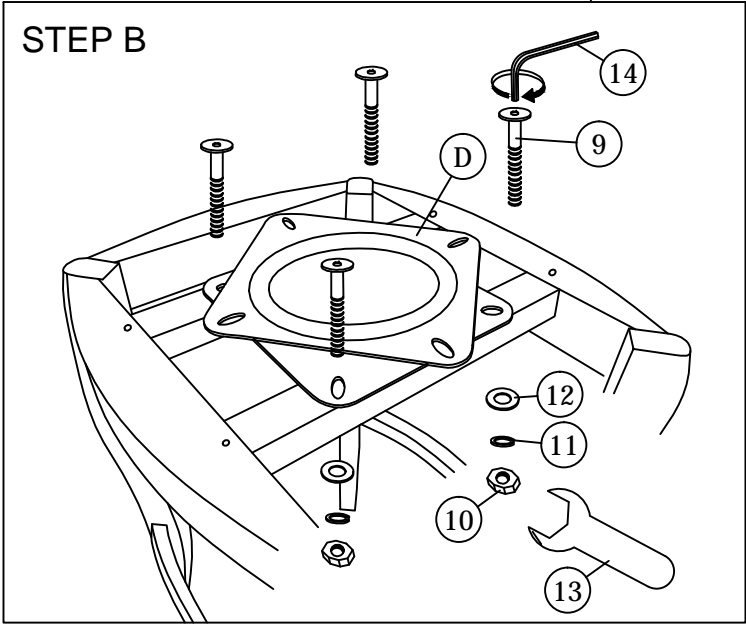
STEP 5



STEP A

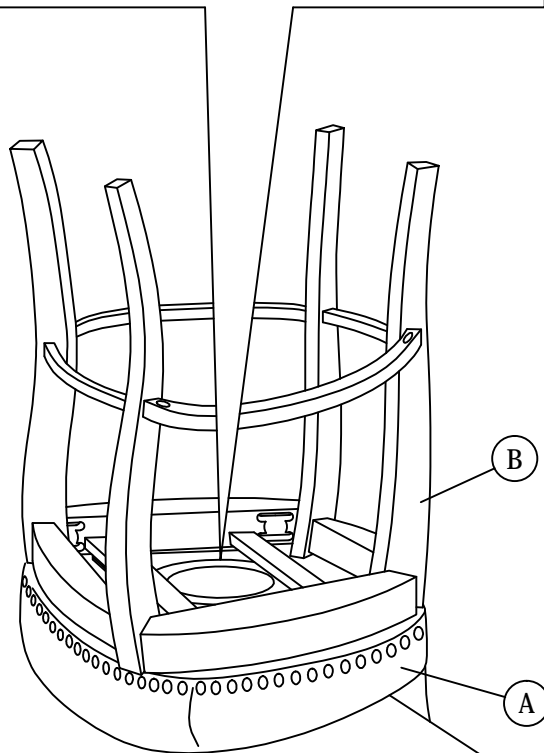
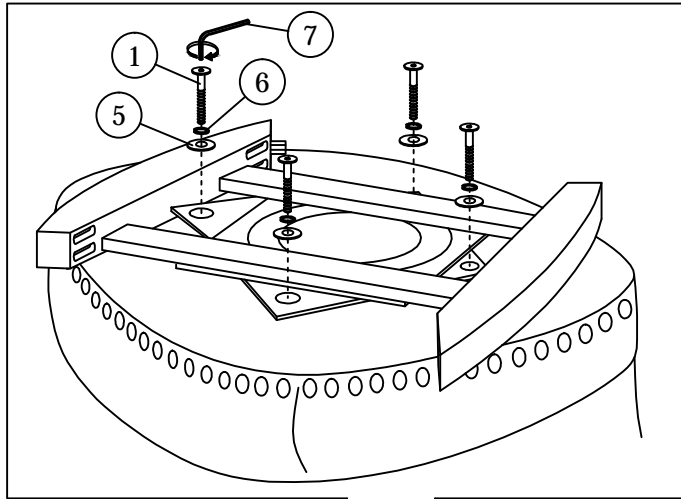


STEP B

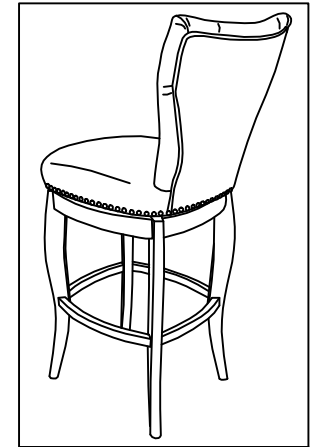
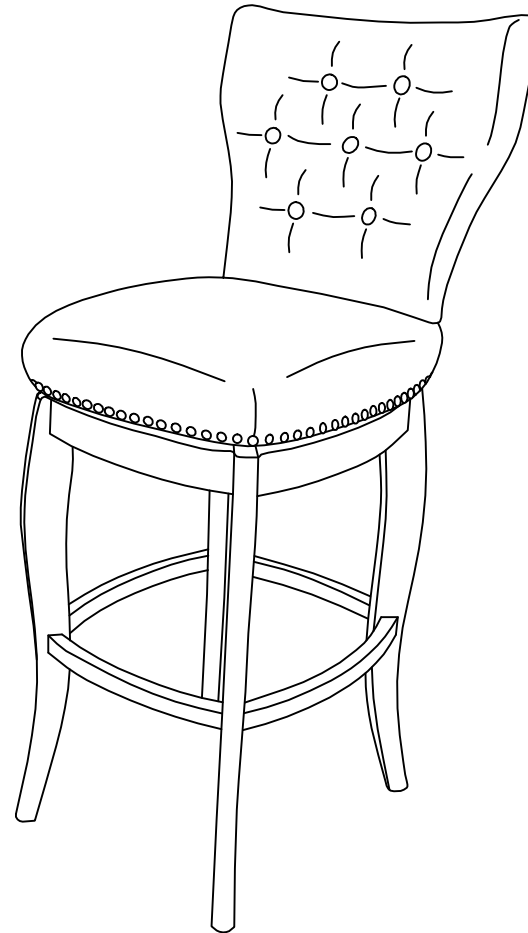


ASSEMBLY INSTRUCTIONS

STEP 6



STEP 7



WARNING

1. Do Not stand on this swivel bar stool.
Do Not use this swivel bar stool step ladder.
2. Use this product only for seating one person at one time.
3. Do Not use this bar stool unless all bolts, screws and knobs are firmly secured.
4. Failure to follow these warning could result in serious injury.