

ASSEMBLY INSTRUCTIONS

Read this instruction carefully. See hardware and furniture part list for guidance. Be sure all parts are complete, before you assemble. Place all wooden furniture parts on a clean and flat soft surface to prevent from being scratched. Follow the figure to start assembling.

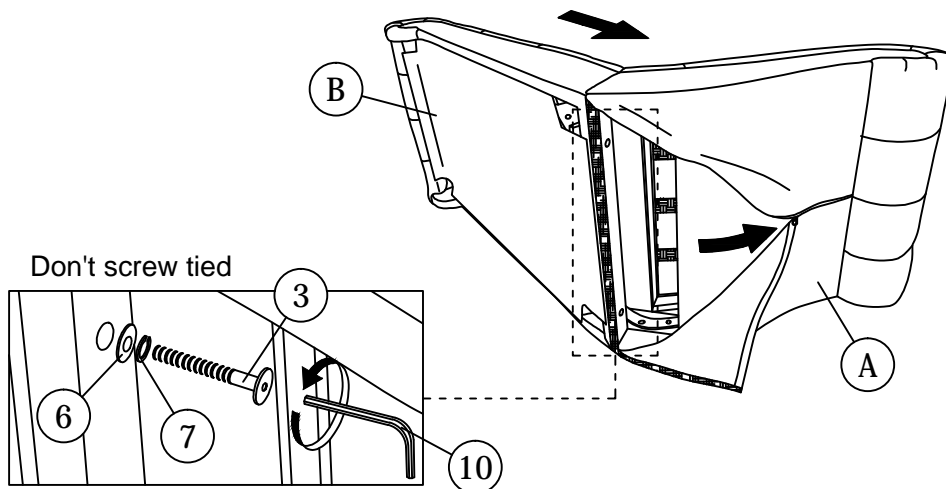
CAUTIONS : 1. Do not FULLY - TIGHTEN the nut or nut bolt until all nut or bolt is ready assembled.
 2. Do not OVER - TIGHTEN the nut or bolt to avoid causing damages to the thread.
 3. Keep all hardware parts out of reach of children.

NOTE : THE LIST AND QUANTITY SHOWN ARE FOR 1 UNIT ASSEMBLY.

PART LIST		
ITEM	DESCRIPTION	QTY
A	CHAIR BACK	1pc
B	CHAIR SEAT	1pc
C	FRONT LEG	2pcs
D	BACK LEG	2pcs

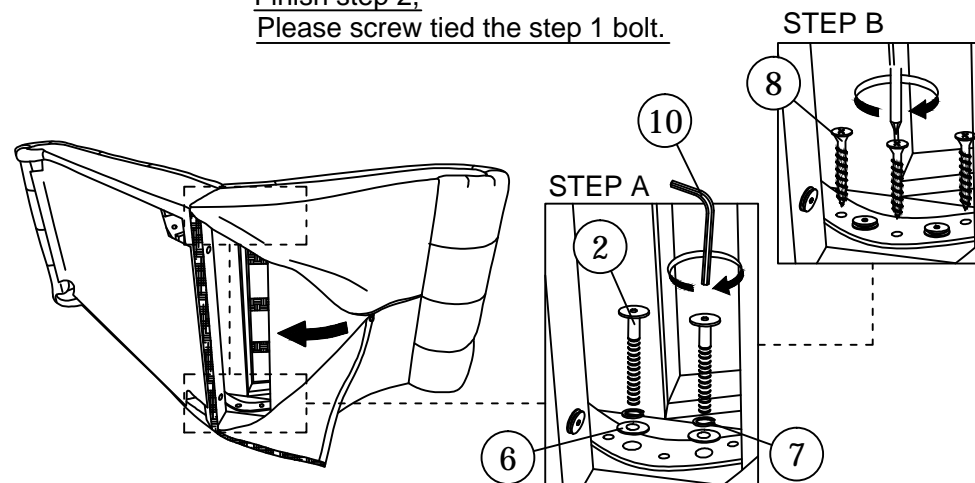
PART LIST		
ITEM	DESCRIPTION	QTY
1	JCBC Bolt M6 x 50mm	8pcs
2	JCBB Bolt M8 x 30mm	4pcs
3	JCBB Bolt M8 x 50mm	2pcs
4	M6 Flat Washer	8pcs
5	M6 Spring Washer	8pcs
6	M8 Flat Washer	6pcs
7	M8 Spring Washer	6pcs
8	Wood Screw M4 x 30mm	6pcs
9	M4 Allen Key (Ball Shape)	1pc
10	M5 Allen Key (Ball Shape)	1pc

STEP 1

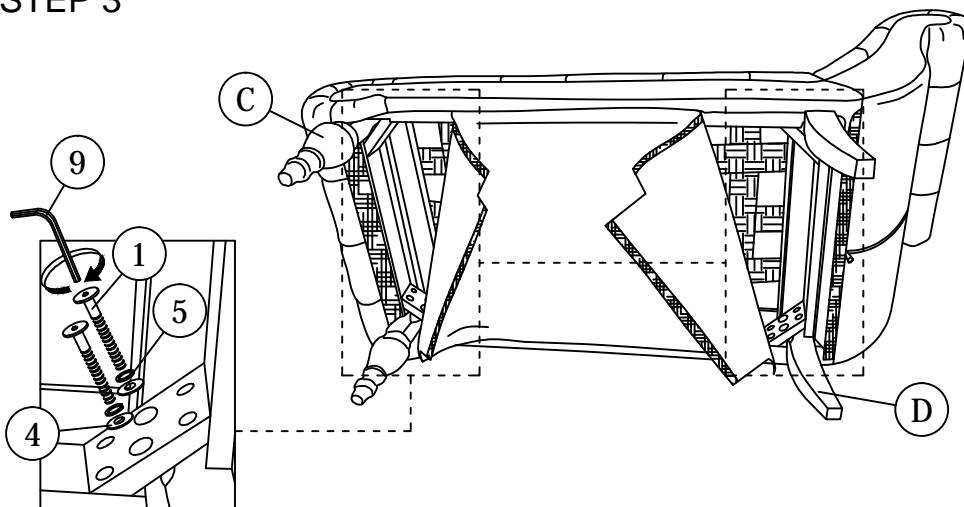


STEP 2

****Finish step 2,
Please screw tied the step 1 bolt.**



STEP 3



STEP 4

