

MODEL : BBT5195 ROCKING CHAIR



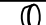
# ASSEMBLY INSTRUCTIONS

Read this instruction carefully. See hardware and furniture part list for guidance. Be sure all parts are complete, before you assemble. Place all wooden furniture parts on a clean and flat soft surface to prevent from being scratched. Follow the figure to start assembling.

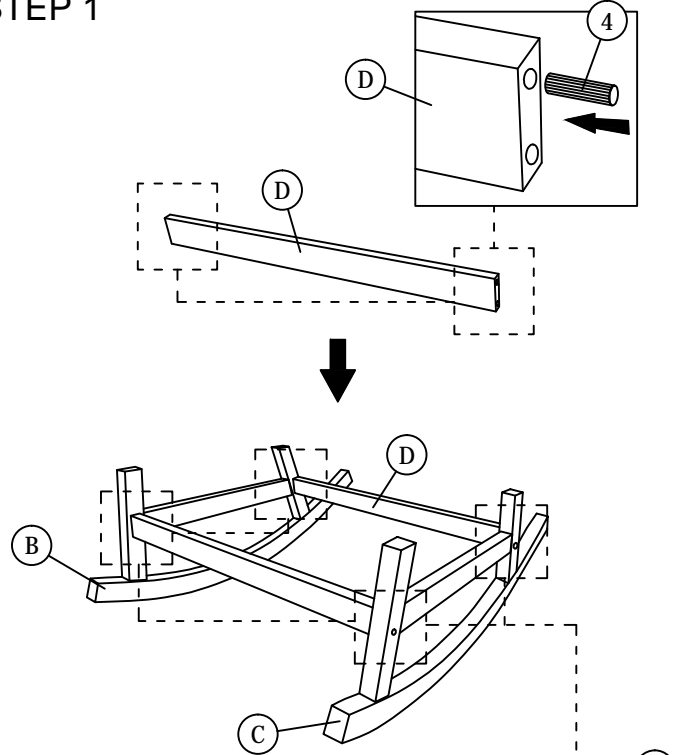
**CAUTIONS :** 1. Do not FULLY - TIGHTEN the nut or nut bolt until all nut or bolt is ready assembled.  
2. Do not OVER - TIGHTEN the nut or bolt to avoid causing damages to the thread.  
3. Keep all hardware parts out of reach of children.

NOTE : THE LIST AND QUANTITY SHOWN ARE FOR 1 UNIT ASSEMBLY.

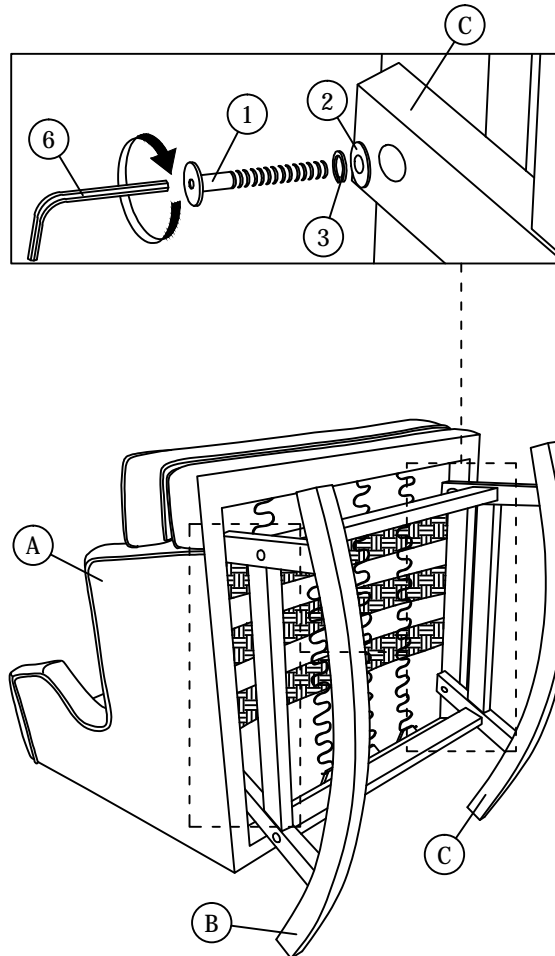
PART LIST		
ITEM	DESCRIPTION	QTY
A	CHAIR FRAME	1pc
B	CHAIR LEG (L)	1pc
C	CHAIR LEG (R)	1pc
D	FRONT STRETCHER	2pcs

PART LIST		
ITEM	DESCRIPTION	QTY
1	JCBB Bolt M8 x 50mm 	8pcs
2	M8 FLAT WASHER 	4pcs
3	M8 SPRING WASHER 	8pcs
4	WOOD DOWEL M10 x 40mm 	4pcs
5	WOOD BUTTON DIA 17mm 	4pcs
6	M5 ALLEN KEY (BALL SHAPE) 	1pc

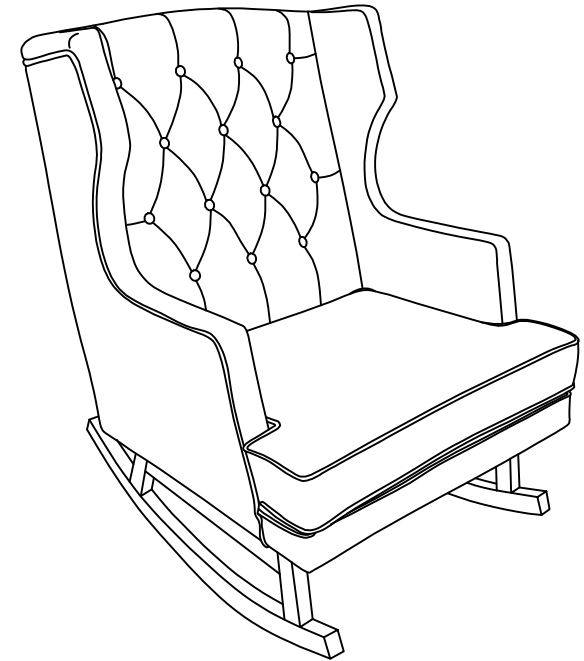
## STEP 1



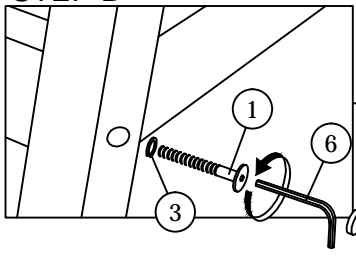
## STEP 2



## STEP 3



### STEP B



### STEP A

