

MODEL : BBT 3113-1T

ASSEMBLY INSTRUCTIONS

Read this instruction carefully. See hardware and furniture part list for guidance. Be sure all parts are complete, before you assemble. Place all wooden furniture parts on a clean and flat soft surface to prevent from being scratched. Follow the figure to start assembling.

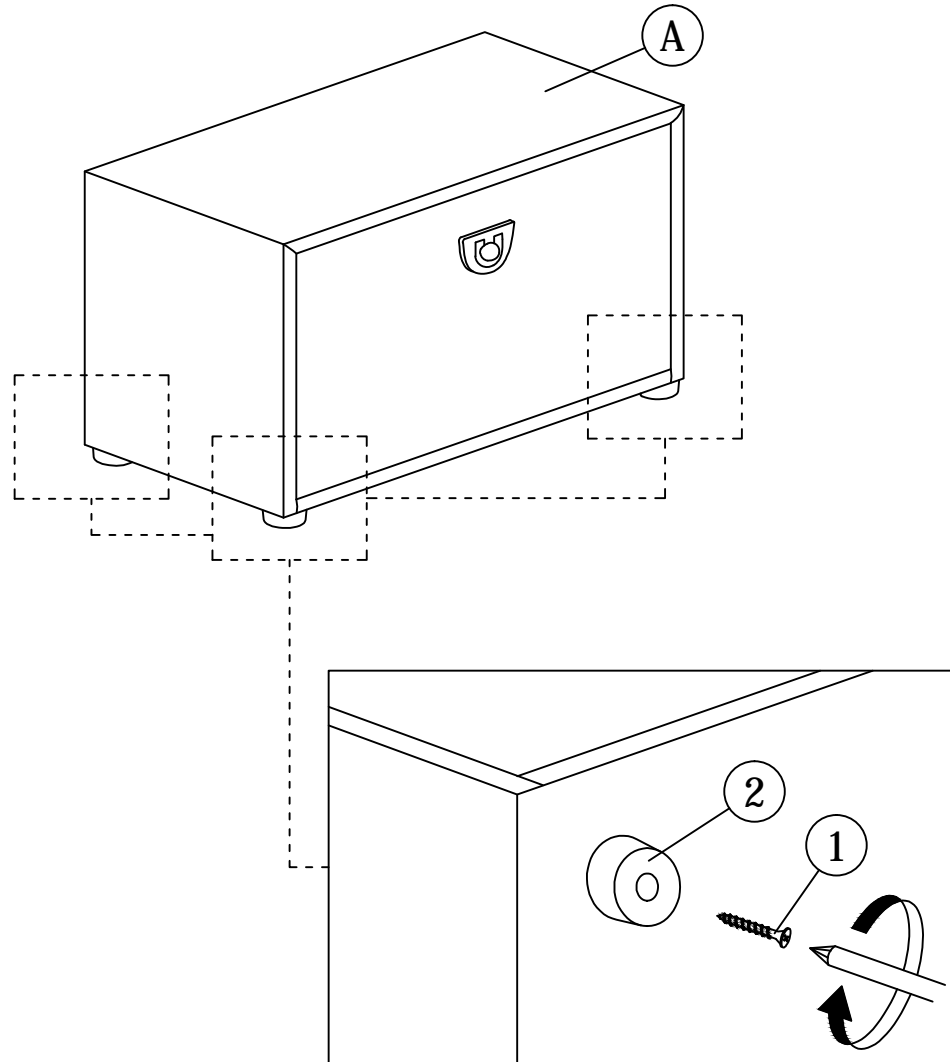
| PART LIST | | |
|-----------|-------------|------|
| ITEM | DESCRIPTION | QTY |
| A | CABINET | 1 PC |

| PART LIST | | |
|-----------|--|-------|
| ITEM | DESCRIPTION | QTY |
| 1 | WOOD SCREW M4 x 32mm  | 4 PCS |
| 2 | 25mm SOFA LEG  | 4 PCS |

- CAUTIONS :**
1. Do not FULLY - TIGHTEN the nut or nut bolt until all nut or bolt is ready assembled.
 2. Do not OVER - TIGHTEN the nut or bolt to avoid causing damages to the thread.
 3. Keep all hardware parts out of reach of children.

NOTE : THE LIST AND QUANTITY SHOWN ARE FOR 1 UNIT ASSEMBLY.

STEP 1



STEP 2

