

Read this instruction carefully. See hardware and furniture part list for guidance. Be sure all parts are complete, before you assemble. Place all wooden furniture parts on a clean and flat soft surface to prevent from being scratched. Follow the figure to start assembling.

CAUTIONS : 1. Do not FULLY - TIGHTEN the nut or nut bolt until all nut or bolt is ready assemble.
 2. Do not OVER - TIGHTEN the nut or bolt to avoid causing damages to the thread.
 3. Keep all hardware parts out of reach of children.

NOTE : THE LIST AND QUANTITY SHOWN ARE FOR 1 UNIT ASSEMBLY.

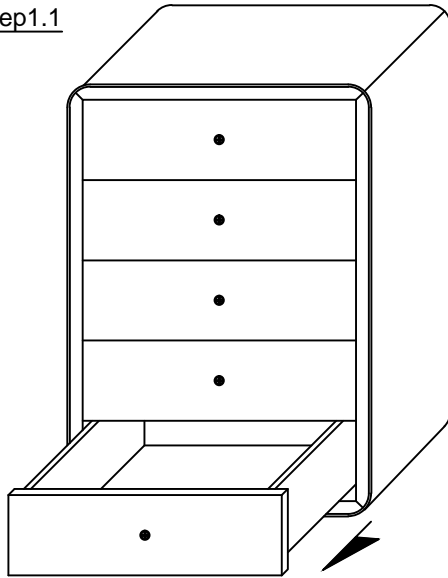
Tool needed : Screwdriver (not provider).

PART LIST		
ITEM	DESCRIPTION	QTY
A	LEGS	4 PCS
B	HANDLE	5 PCS
C	HANDLE SCREW	10 PCS
D	FLAT WASHER	10 PCS
E	DRAWER	5 PCS
F	TALLBOY	1 PC

HARDWARE LIST		
ITEM	DESCRIPTION	QTY
1	5/16" Hex Nut 	4 PCS
2	M8 Flat Washer 	4 PCS
3	M8 Spring Washer 	4 PCS
4	Spanner (13mm) 	1 PC

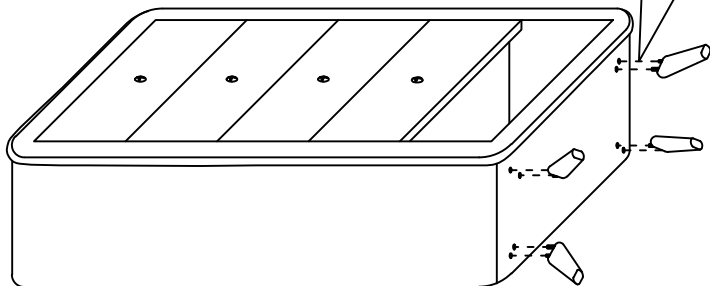
STEP 1

Step1.1

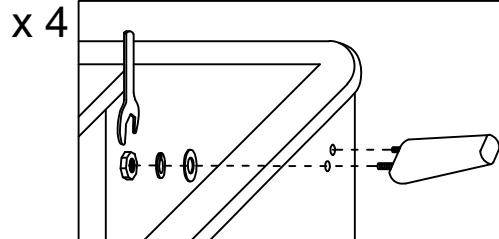


Take Out Bottom Drawer

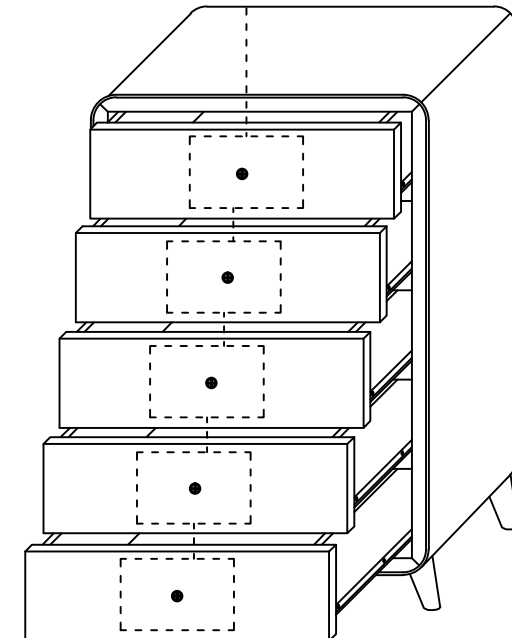
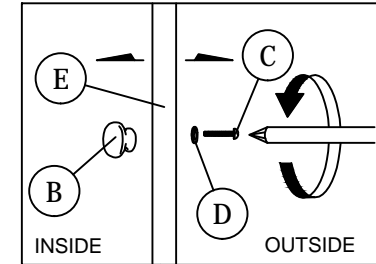
Step1.2



Inverse the night stand as picture shown and assemble the leg.



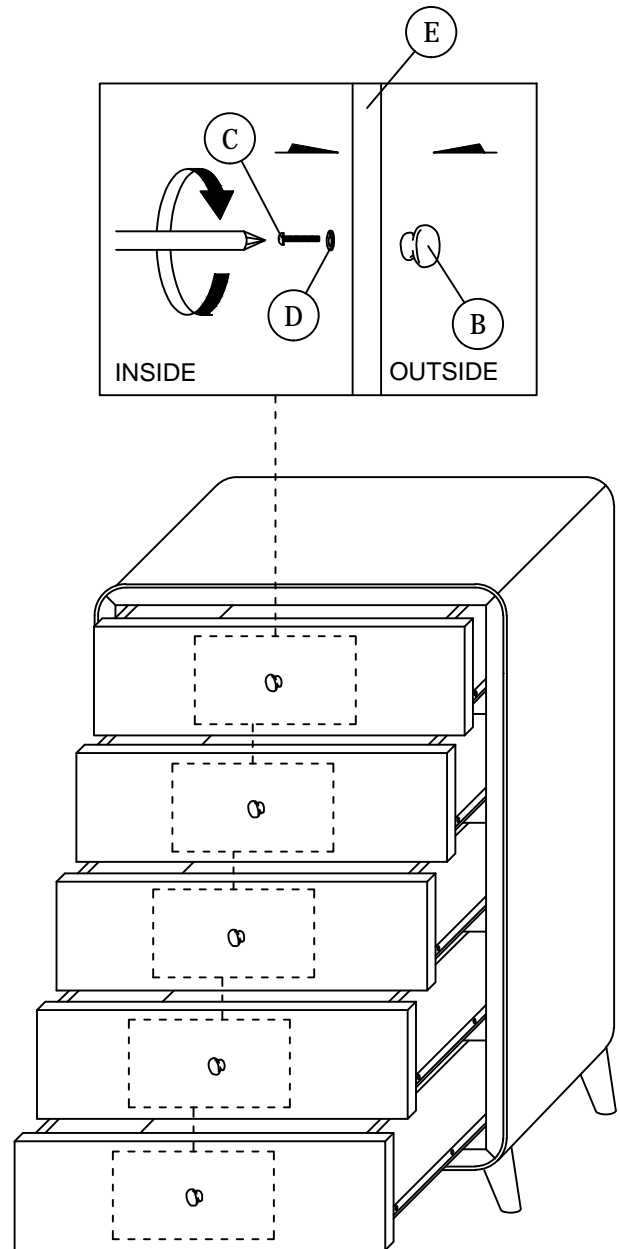
STEP 2



Put the bottom drawer into frame

ASSEMBLY INSTRUCTIONS

STEP 3



STEP 4

