




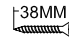


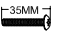



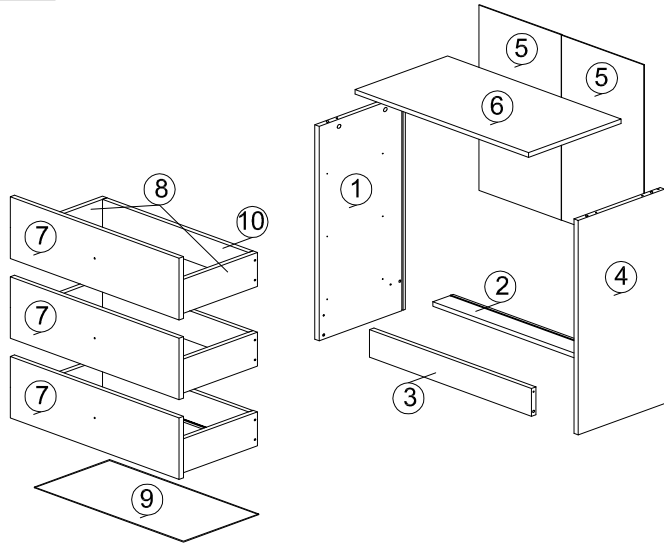


ASSEMBLY INSTRUCTION

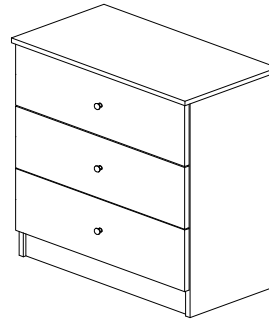
A06 / B06 - CHEST OF 3 DRAWERS

A  8 WOOD DOWEL 8 X 25	B  8 MINIFIX -15MM (HOUSING)	C  8 MINIFIX -15MM (EURO 24)	D  8 MINIFIX CAP	E  1 L KEY	F  24 CB SCREW M4X24MM	G  36 CB SCREW M3.5X16MM	H  3 HANDLE 5022 (METAL)	I  3 HANDLE SCREW M4X35MM	J  3 DRAWER SLIDE 10" (CL/CR)	K  3 DRAWER SLIDE 10" (DL/DR)	L  1 3MM PVH ~592MM
---	--	--	--	--	--	--	--	---	---	---	---

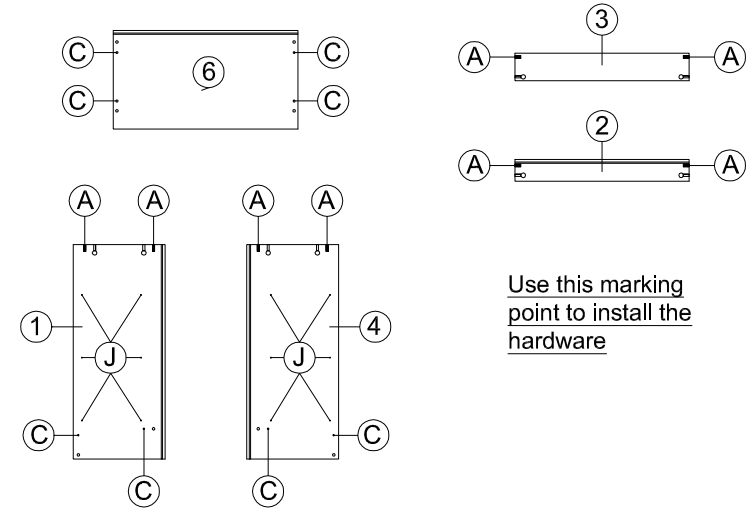
PART LIST



COMPLETED

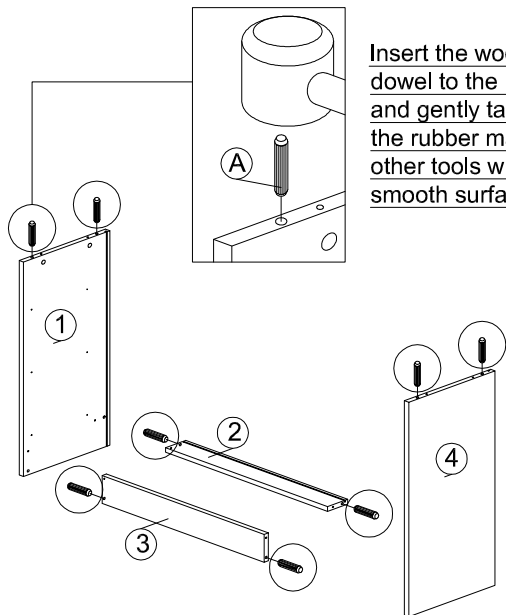


HARDWARE MARKING

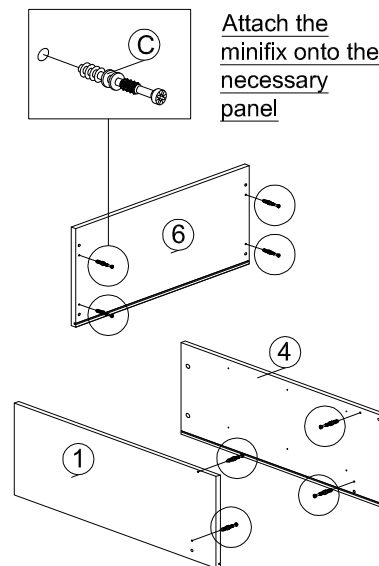


Use this marking point to install the hardware

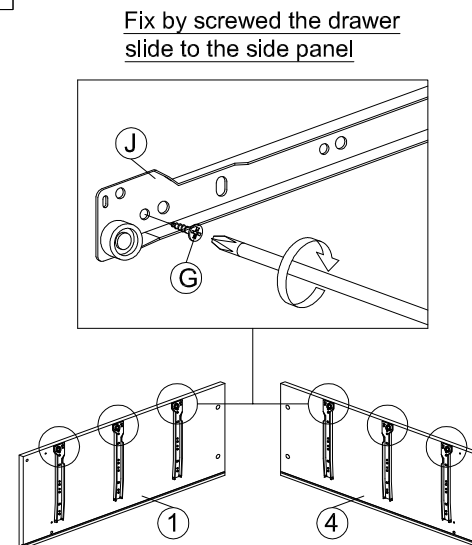
1



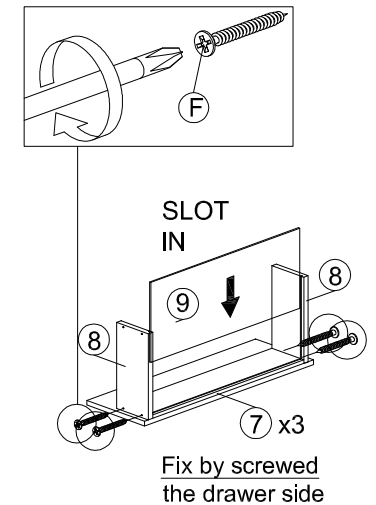
2



3



4

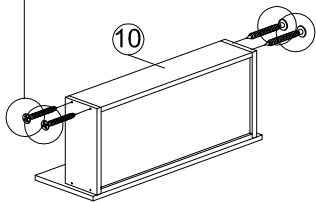
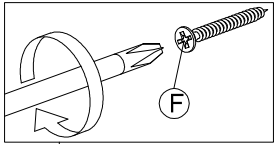


ASSEMBLY INSTRUCTION

A06 / B06 - CHEST OF 3 DRAWERS

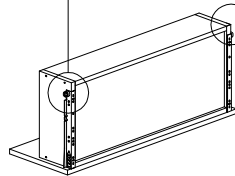
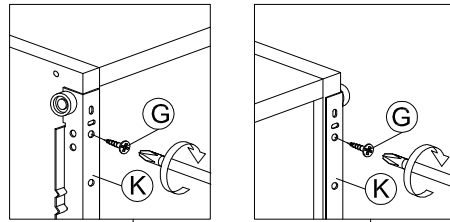
5

Fix by screwed the drawer back



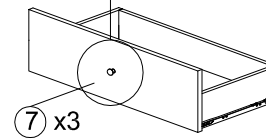
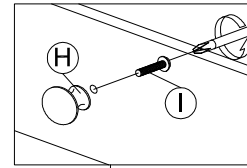
6

Fix by screwed a drawer slide to drawer bottom panel



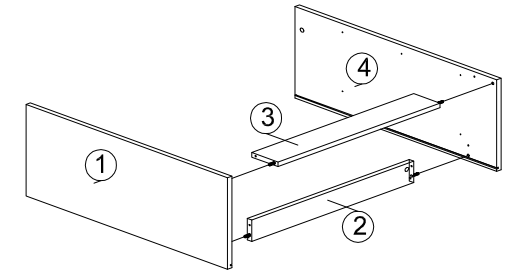
7

Fix handle knob to drawer head



8

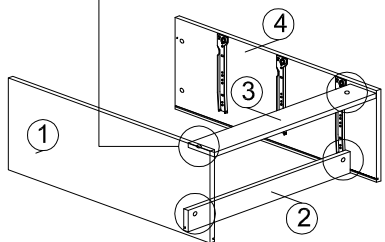
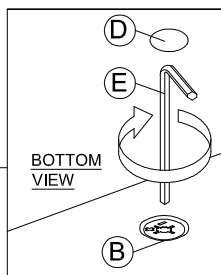
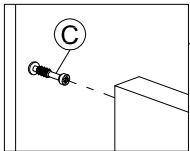
Follow the number steps below to fix all joints.



9

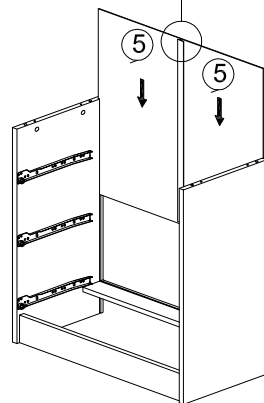
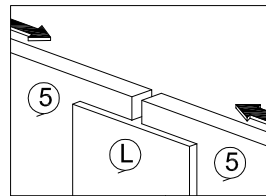
Step 2
Insert the minifix (housing) and lock it by using L key. Then, press minifix cap to cover the hole.

Step 1
Join the panel with minifix (euro) tightly.



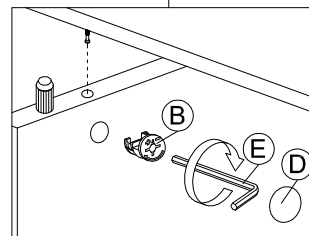
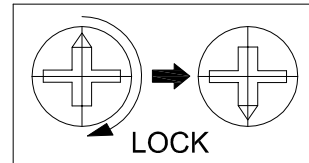
10

Insert the back panel in between PVH profile

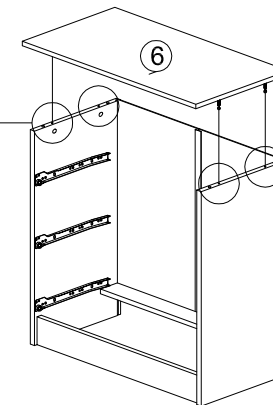


11

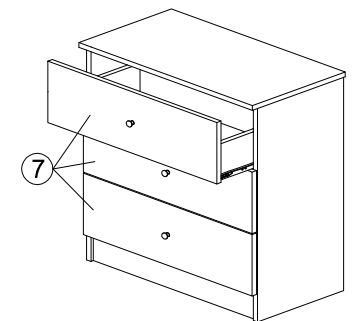
Step 2
Fully lock by turn the minifix (housing) clockwise. Then, press minifix cap to cover the hole.



Step 1
Insert the minifix (housing) and lock it by using L key.



12



Insert all drawer