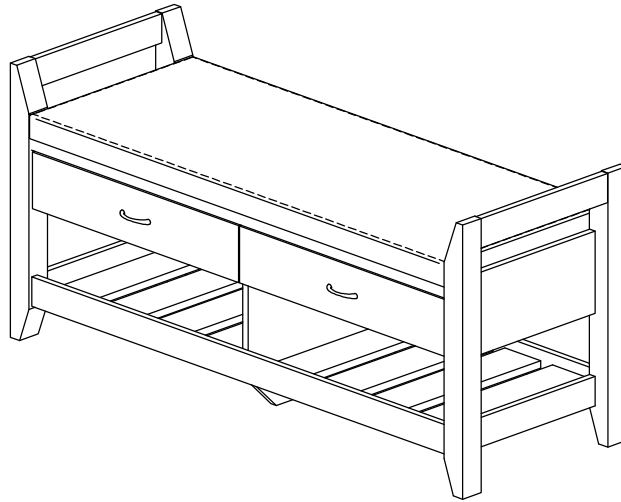
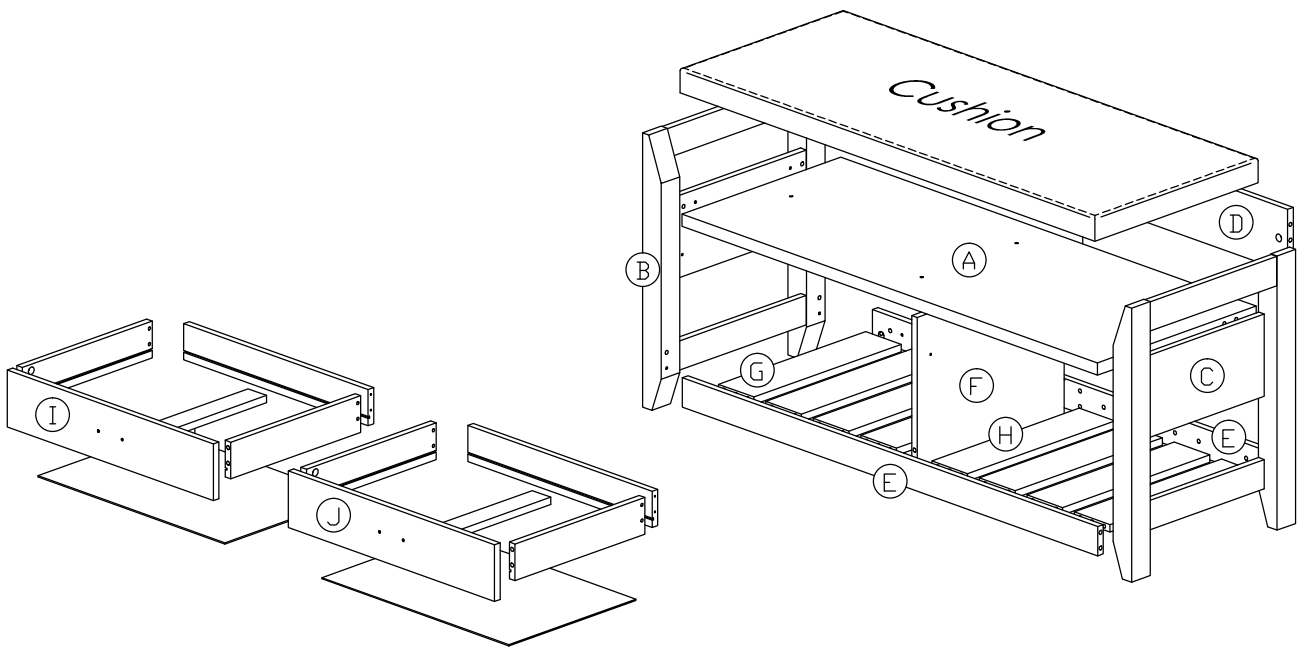


Assembly Instruction

Model : WI6463



Part List



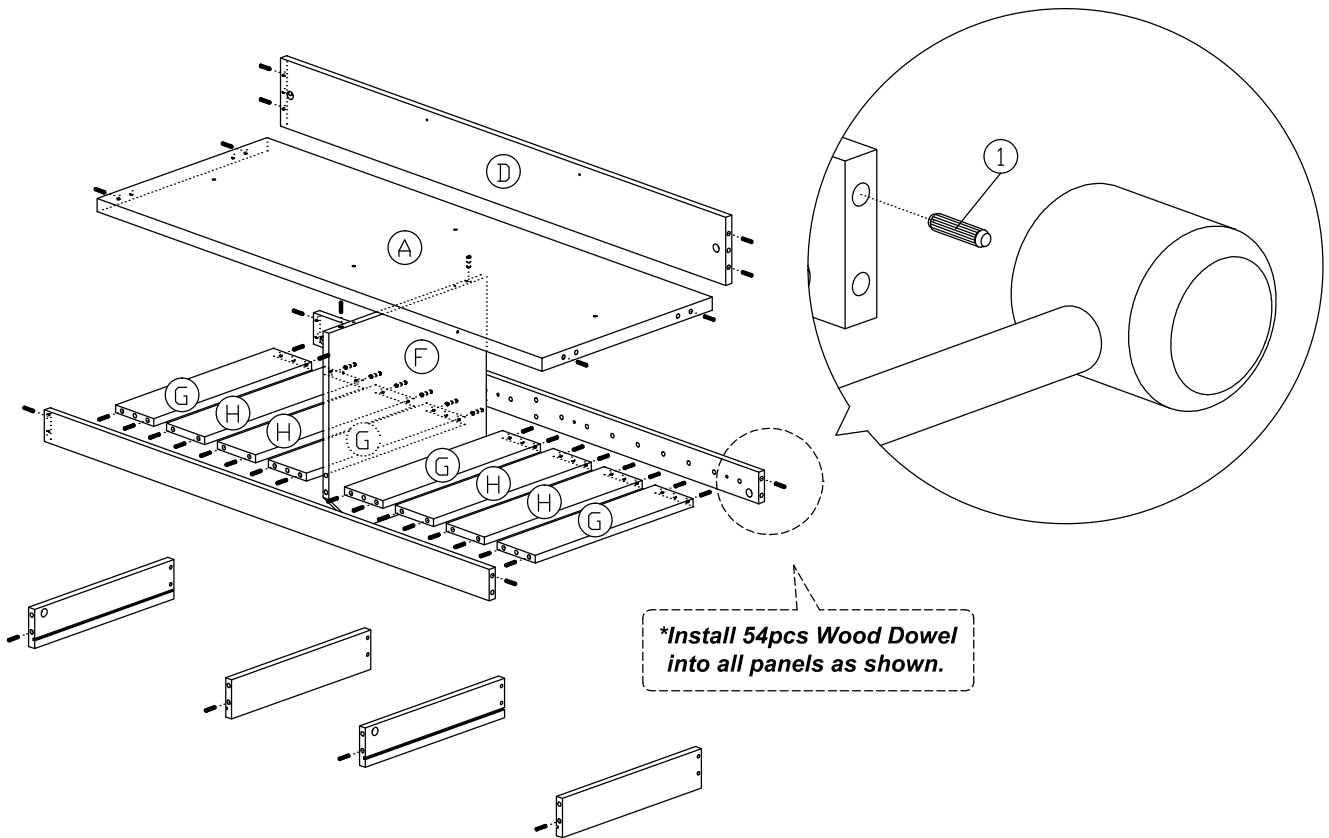
Hardware List

No.	SHAPE	DESCRIPTION	Qty.
1		8x25mm Wood Dowel	54Pcs
2		15MM Titus Mini Fix	24Sets
3		M5x8mm Screw (Euro Screw)	8Pcs
4		M3.5x15mm Screw	12Pcs
5		M4x38mm Screw	10Pcs
6		M5x38mm Screw	2Pcs

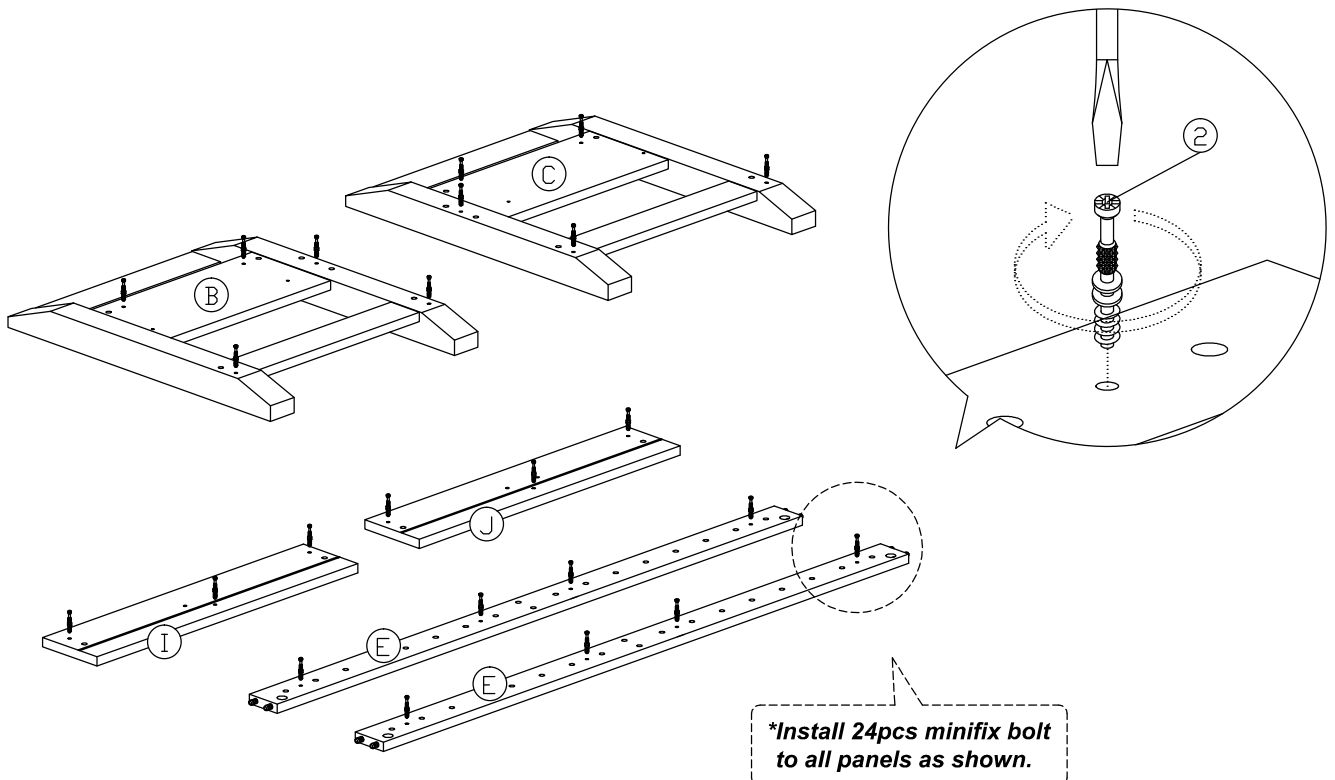
7		M4x50mm Screw	2Pcs
8		Handle 'C' Shape M3.6x20mm (Handle Screw)	2Sets
9		Drawer Slide = 350mm	2Sets
10		15mm Minifix Cap	4Pcs
11		Nail Leg	6Pcs
12		L Bracket	2Pc

Assembly Instruction

Step 1

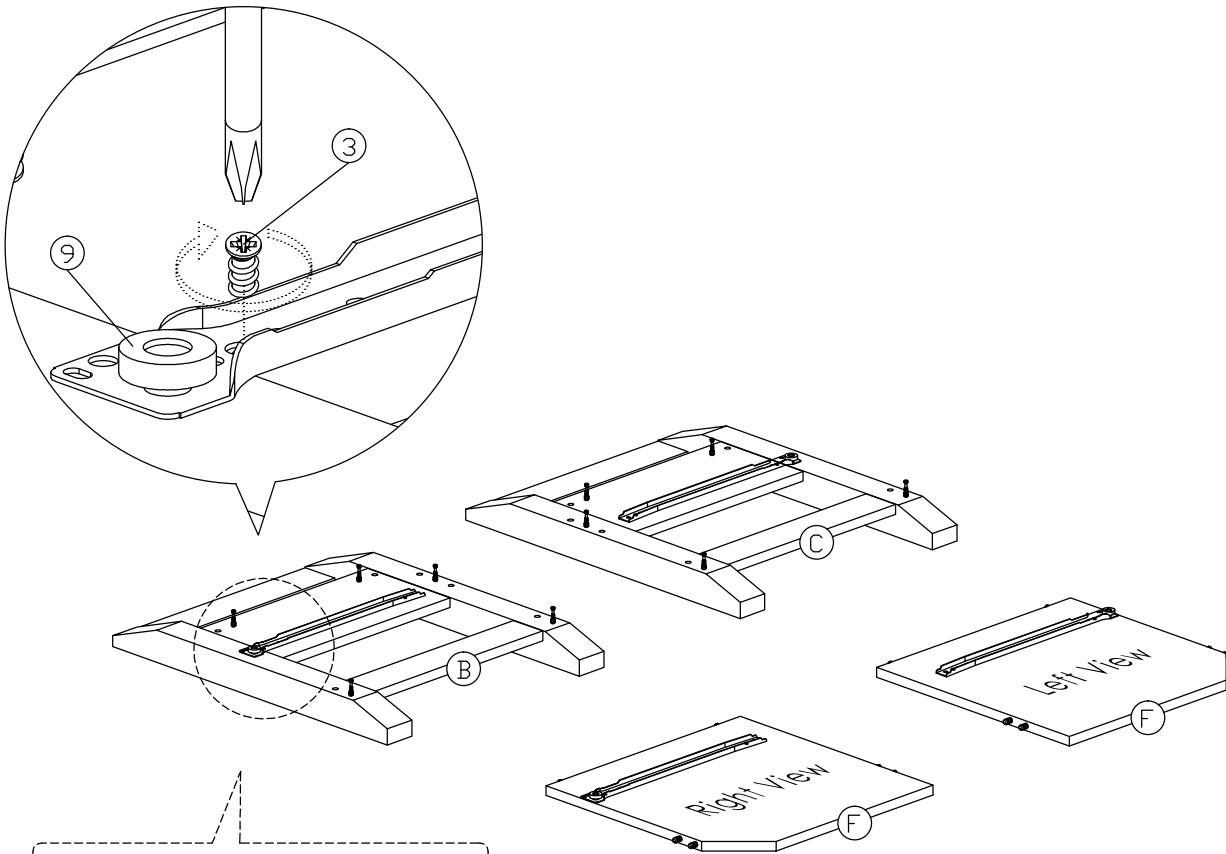


Step 2



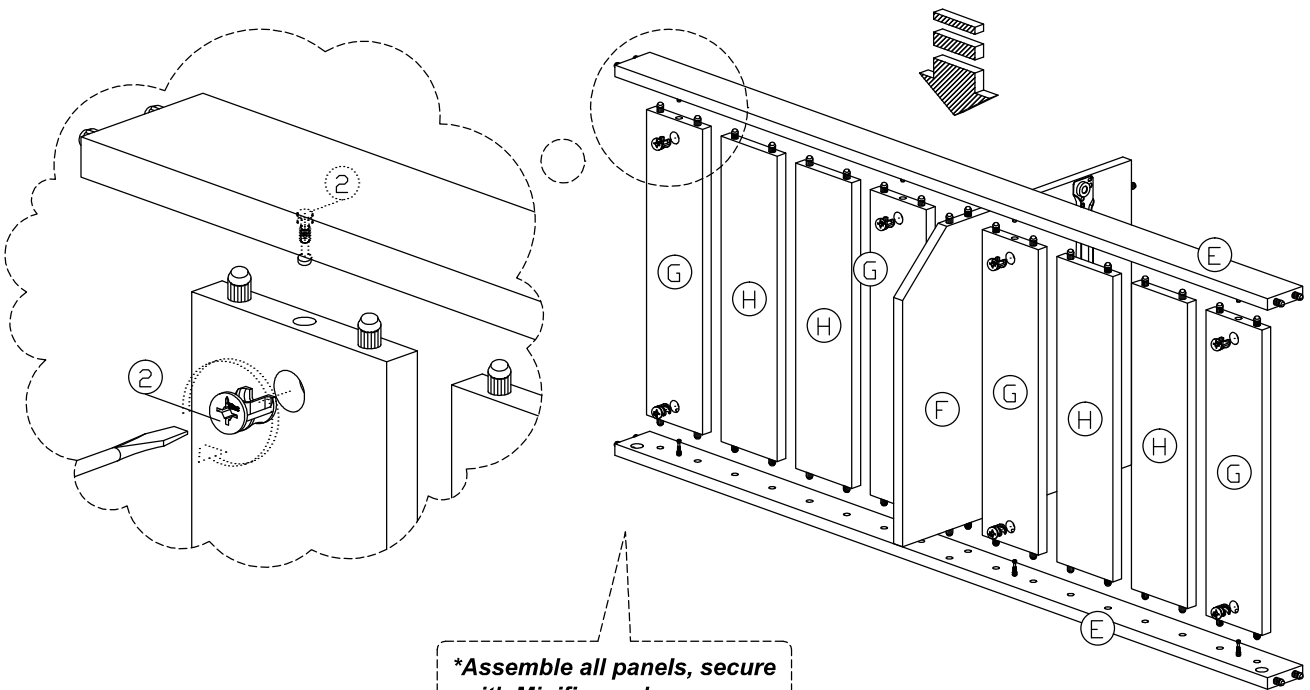
Assembly Instruction

Step 3



**Install 4pcs drawer slide to all panels with screw as shown above.*

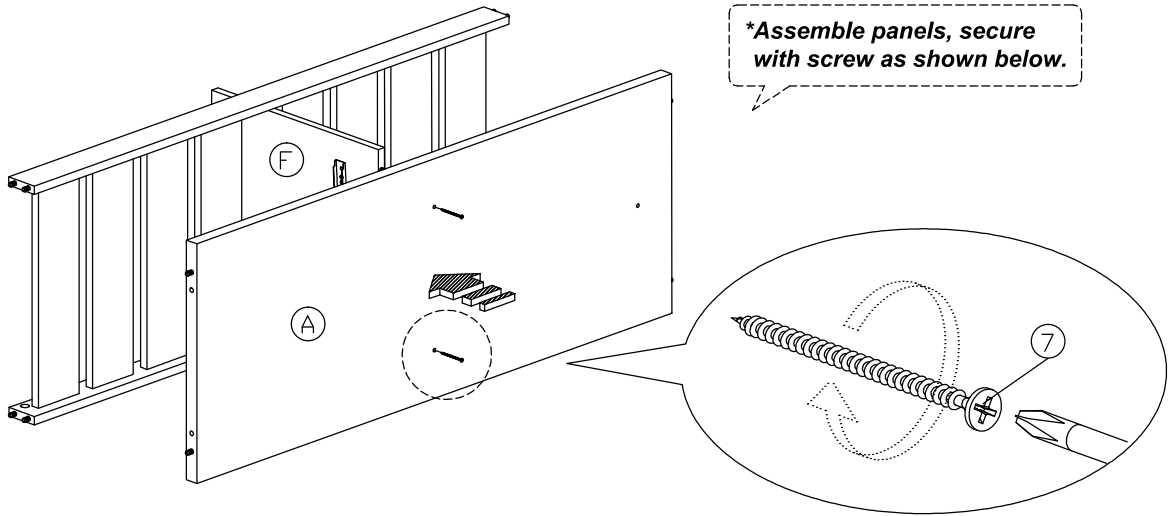
Step 4



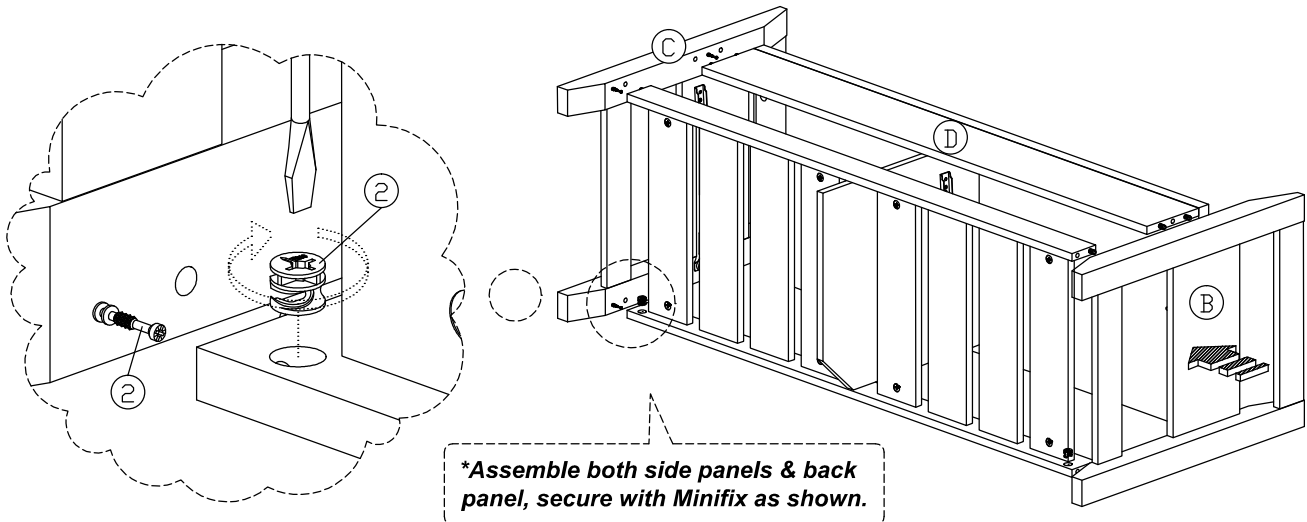
**Assemble all panels, secure with Minifix as shown.*

Assembly Instruction

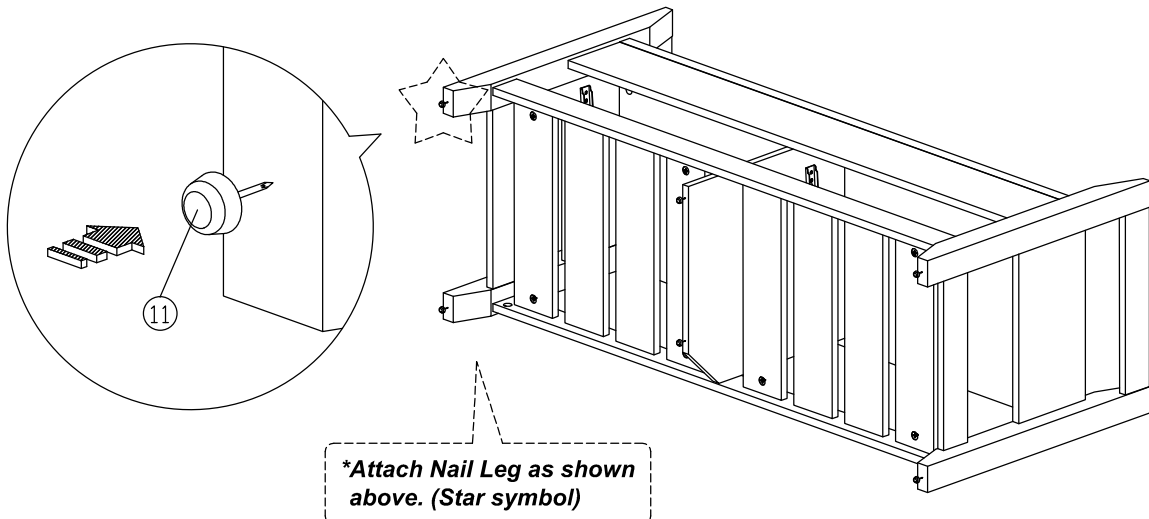
Step 5



Step 6

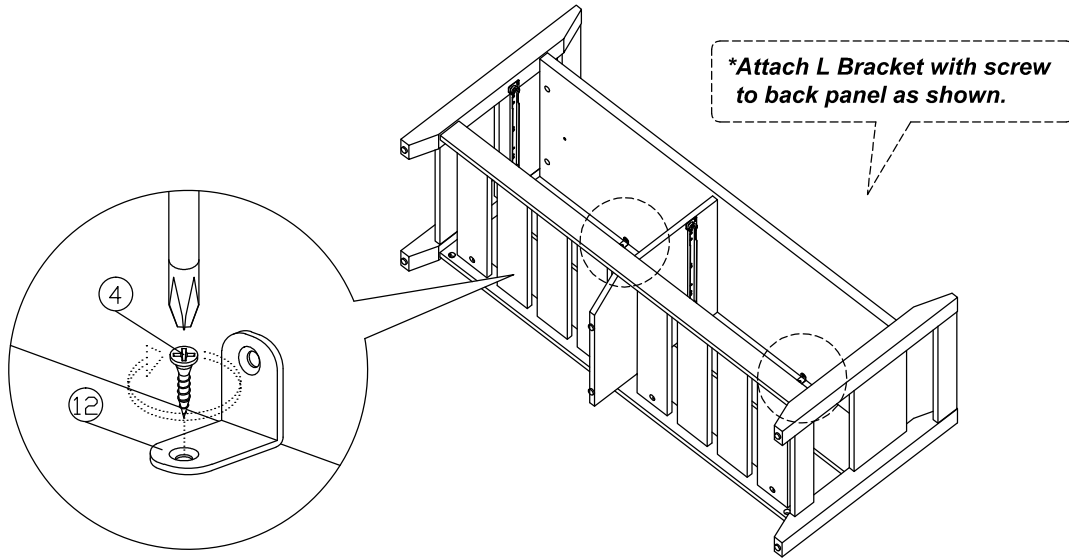


Step 7

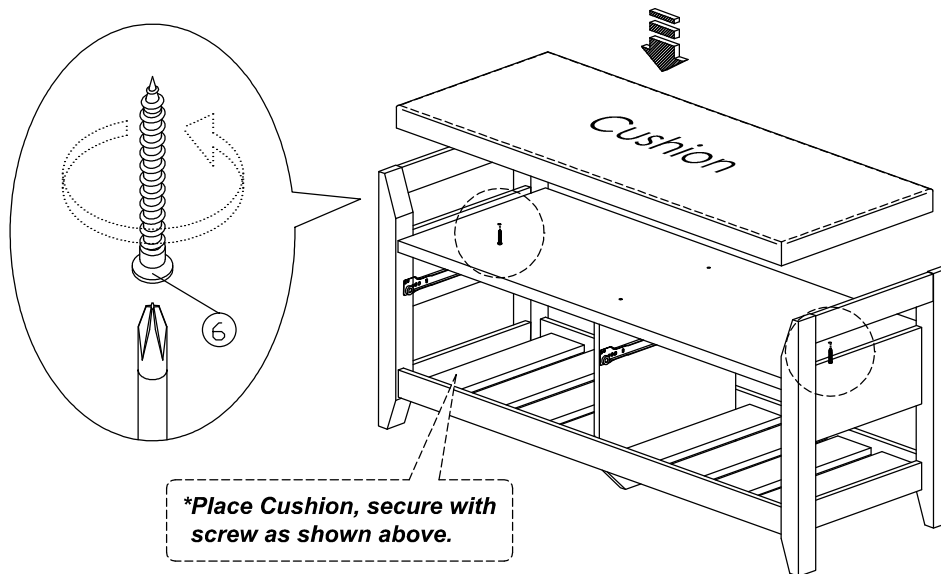


Assembly Instruction

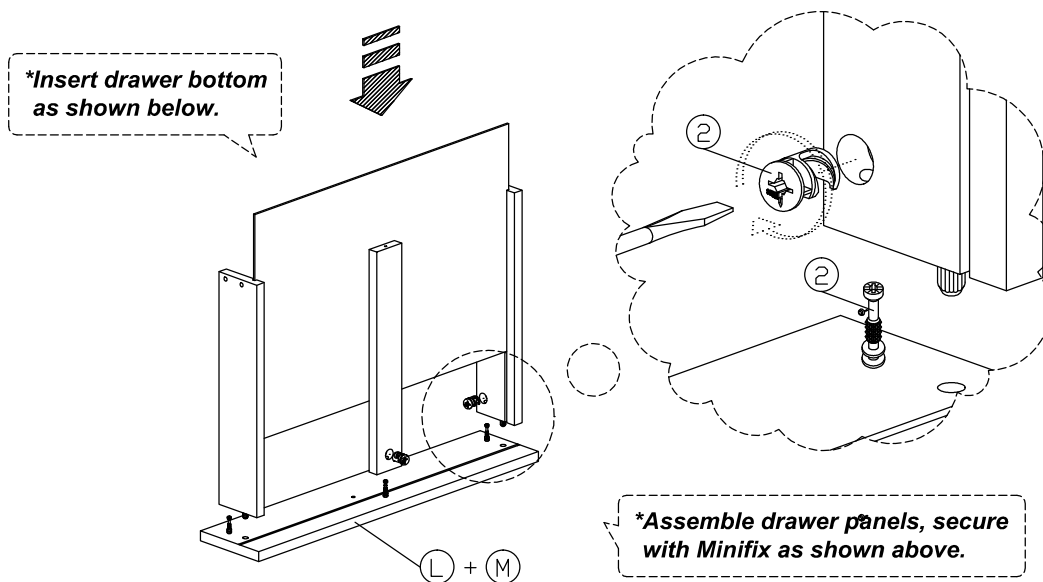
Step 8



Step 9

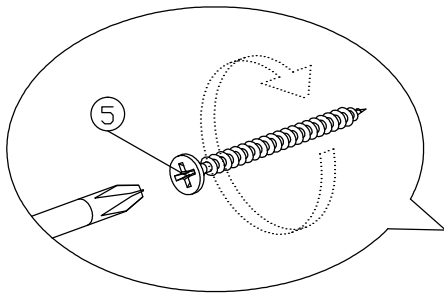


Step 10

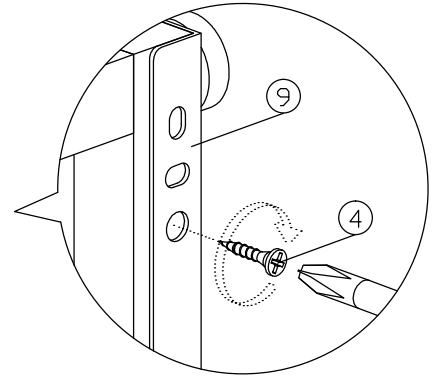
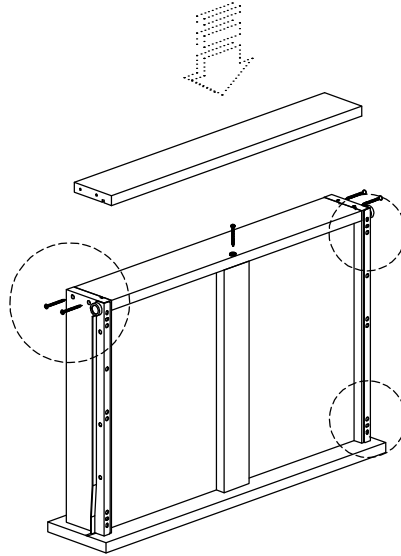


Assembly Instruction

Step 11

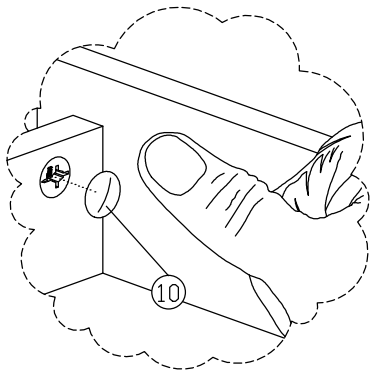


**Insert drawer back, secure with screw as shown.*

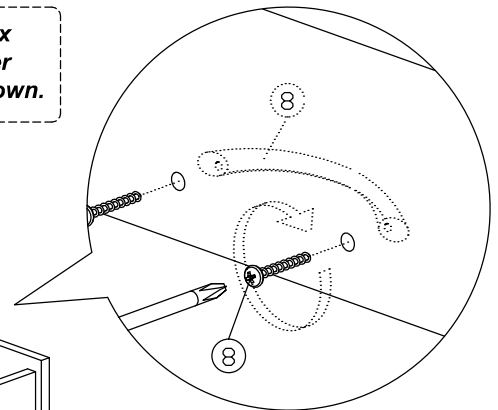
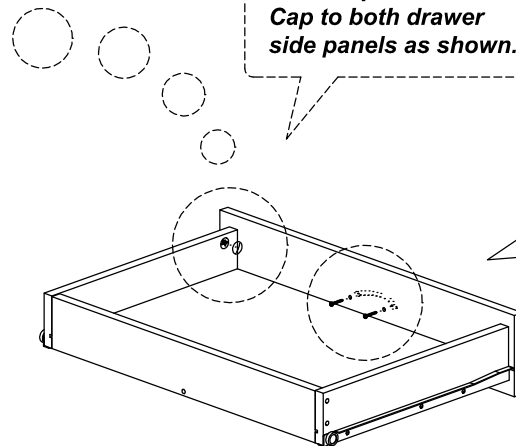


**Install Drawer Slide with screw as shown.*

Step 12

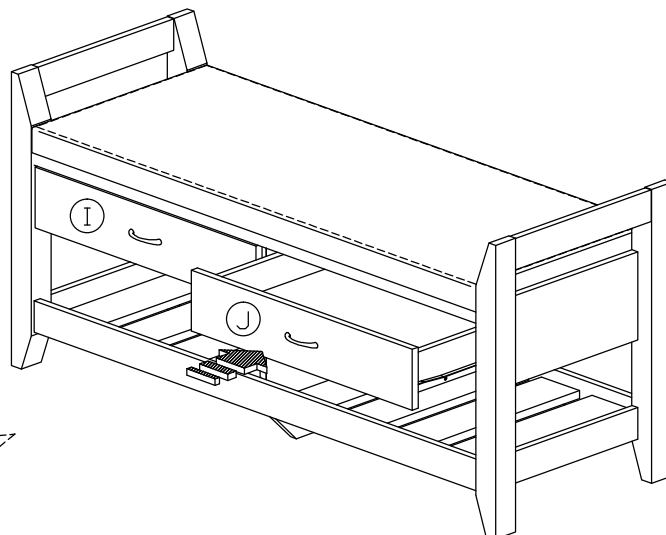


**Attach 4pcs Minifix Cap to both drawer side panels as shown.*



**Install Handle to both drawers with screw as shown.*

Step 13



**Place both drawers into cabinet as shown above.*