




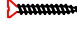

ASSEMBLY INSTRUCTION

MODEL : Ashton - Buttermilk/ Walnut- DC Dinning Chair

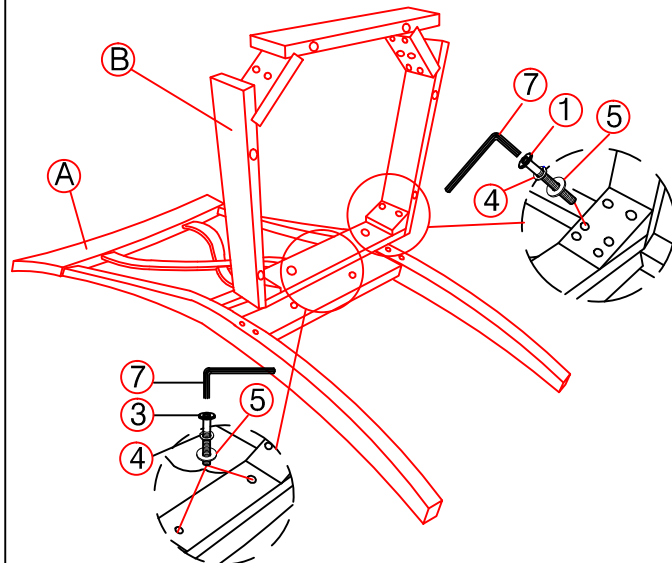
Read instruction carefully. Remove all wrapping material, staples and straps from the carton. See Hardware and Furniture Part List for guidance. Be sure you have all parts before you start assembling. Place all wooden furniture part on a clean and flat soft surface, such as carpet or rug to prevent from being scratched.

CAUTION : 1)DO NOT FULLY TIGHTEN THE NUTS OR SCREWS INITIALLY UNTILL ALL THE NUTS AND
 2)SCREWS ARE ASSEMBLED . TO AVOID CAUSING DAMAGE TO THE TREAD , DO NOT OVER-TIGHTEN
 THE NUTS OR SCREWS .
 KEEP ALL HARDWARE PARTS OUT OF REACH OF CHILDREN .

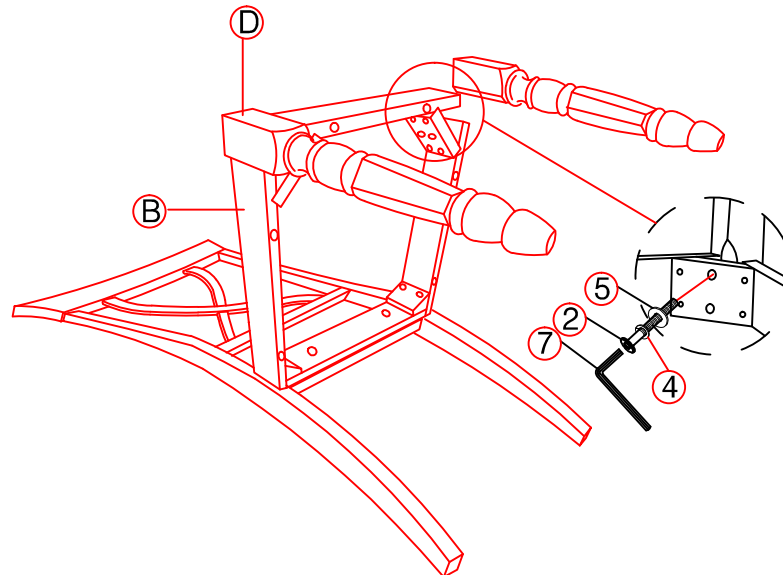
NO	PARTS LIST	QTY
A	CHAIR BACK	1 PC
B	BOX FRAME	1 PC
C	WOODEN SEAT	1 PCS
D	FRONT LEG	2 PCS

NO	HARDWARE LIST	QTY
1	JCBC BOLT M6 x 70mm 	4 PCS
2	JCBC BOLT M6 x 60mm 	4 PCS
3	JCBC BOLT M6 x 40mm 	2 PCS
4	SPRING WASHER M6 	10 PCS
5	FLAT WASHER M6 x 19mm 	10 PCS
6	CSK-CB SCREW M4 x 25mm 	6 PCS
7	ALLEN KEY M4 x 60mm 	1 PC

STEP 1



STEP 2



STEP 2

