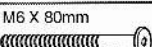

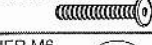





ASSEMBLY INSTRUCTIONS

MODEL : WM1420A-DC

IMPORTANT NOTE :

- * PLACE ALL WOODEN PARTS ON A CLEAN AND SMOOTH SUCH AS A RUG OR CARPET TO AVOID THE PARTS FROM BEING SCRATCHED.
- * BEFORE YOU BEING, KINDLY FOLLOW THE ASSEMBLY INSTRUCTIONS STEP BY STEP.
- * DO NOT TIGHTEN ALL SCREWS UNTIL THE CHAIR IS FULLY SET-UP.

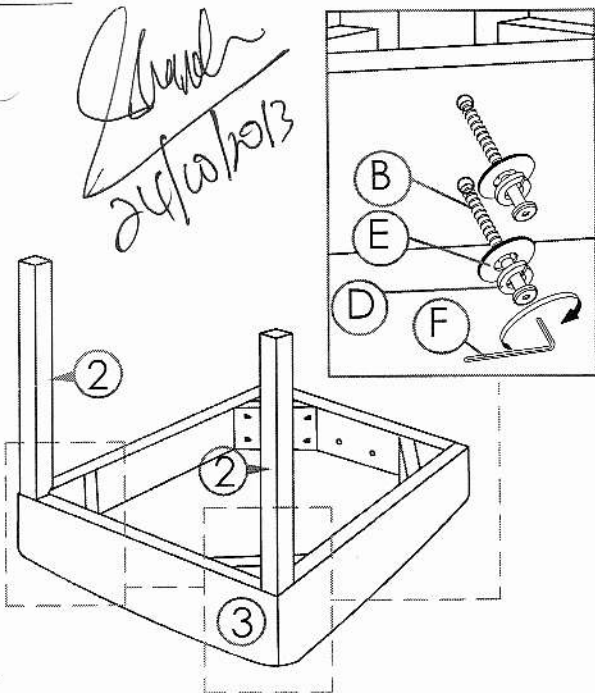
HARDWARE LIST			PART LIST		
A	JCBC SCREW M6 X 80mm 	4PCS	1	CHAIR BACK	1PC
B	JCBC SCREW M6 X 50mm 	4PCS	2	FRONT LEG	2PCS
C	JCBC SCREW M6 X 40mm 	2PCS	3	BOX SEAT	1PC
D	SPRING WASHER M6 	10PCS			
E	FLAT WASHER 5/16" 	10PCS			
F	ALLEN KEY M4 	1PC			

CAUTIONS :

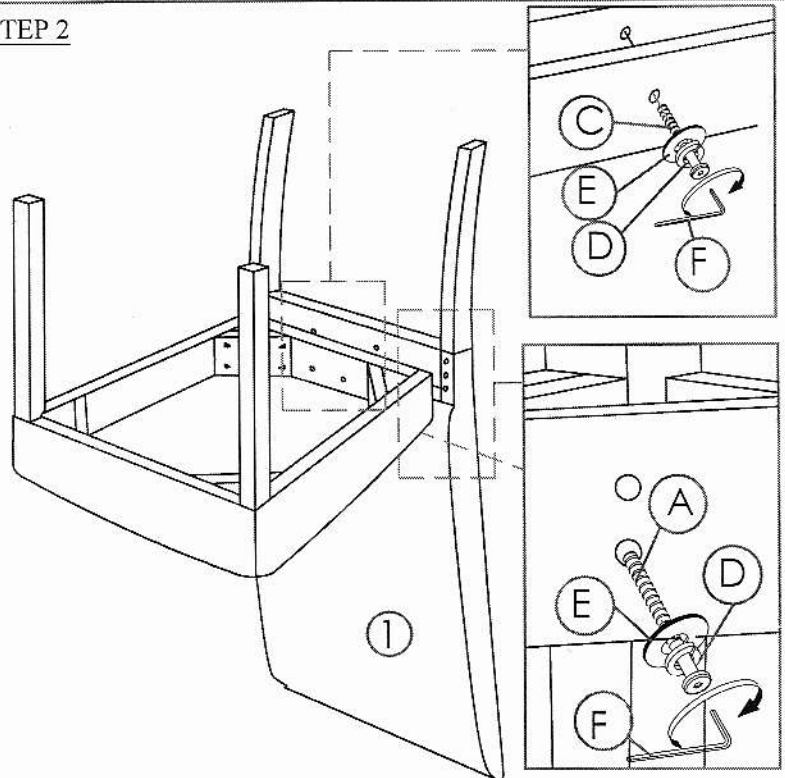
- (1) DO NOT FULLY-TIGHTEN THE NUT OR NUT BOLTS INITIALLY UNTIL ALL NUTS OR BOLT IS READY ASSEMBLED.

(TO AVOID CAUSING DAMAGES TO THE THREAD, DO NOT OVER-TIGHTEN THE NUTS OR BOLTS.)
- (2) KEEP ALL HARDWARE PART OUT OF REACH OF CHILDREN.

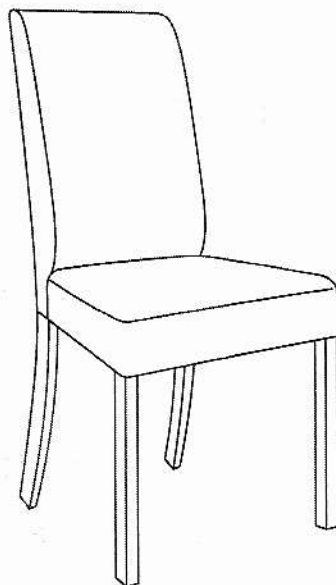
STEP 1



STEP 2



STEP 3



COMPLETED CHAIR ASSEMBLY.