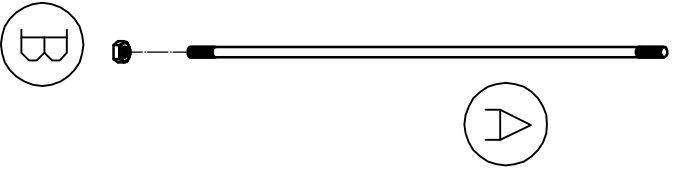
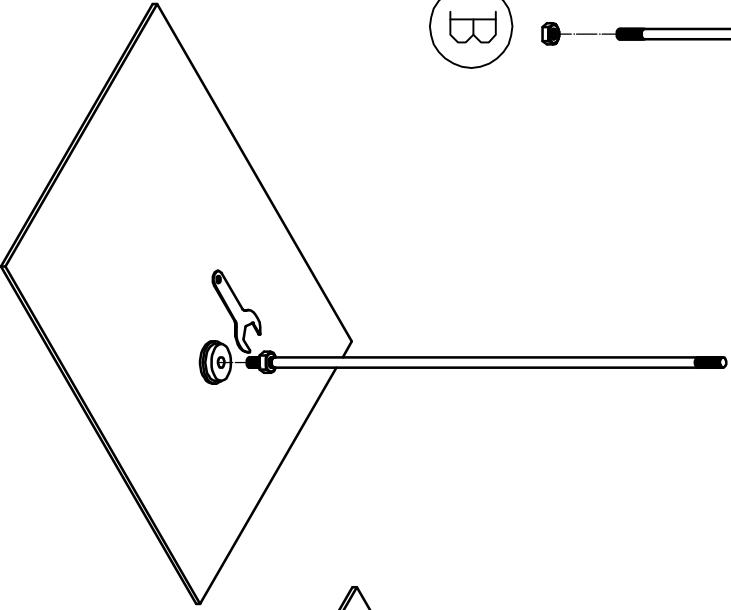


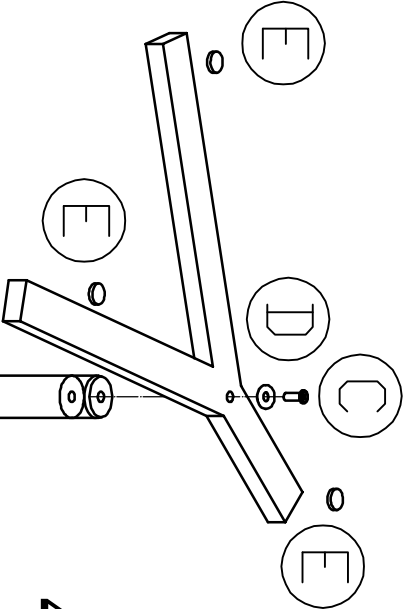
1



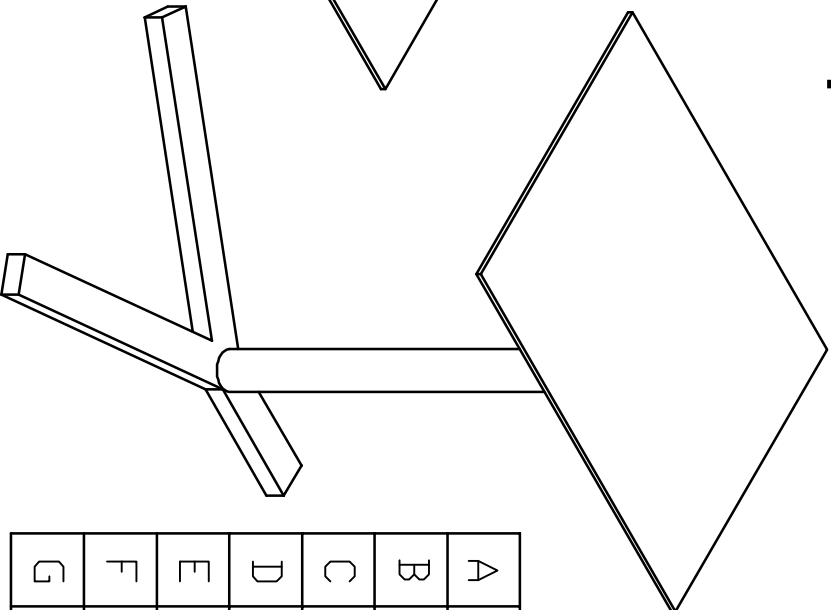
2



3



4



A	—	1
B		1
C		1
D		1
E		3
F		1
G		1