








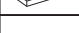






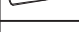






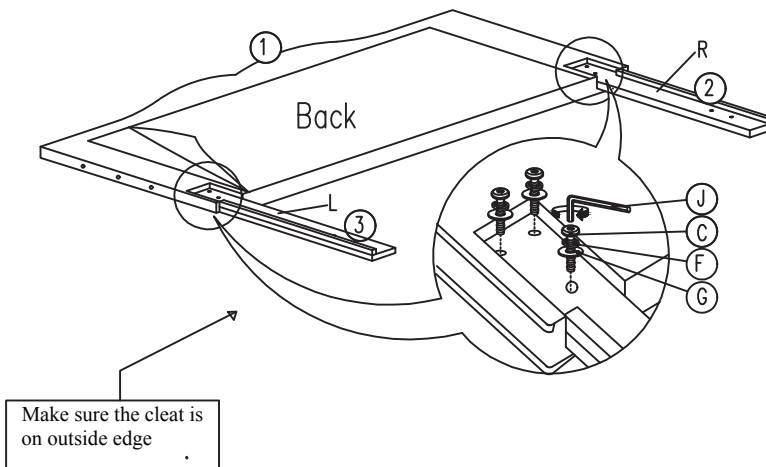
# ASSEMBLY INSTRUCTION

ITEM : ADEN - KB

NO	PART LIST	QTY
1	 HEADBOARD CUSHION	1PC
2	 RIGHT HEADBOARD LEG WITH 'R' LABEL	1PC
3	 LEFT HEADBOARD LEG WITH 'L' LABEL	1PC
4	 WINGS	2PCS
5	 FOOTBOARD CUSHION	1PC
6	 FOOTBOARD LEGS	2PCS
7	 SIDE RAIL	2PCS
8	 SIDE RAIL	2PCS
9	 SIDE RAIL SUPPORT LEG	2PCS
10	 SLATS	4PCS
11	 SUPPORT LEGS WITH ADJUSTABLE FEET	8PCS
NO	HARDWARE LIST	QTY
<b>A</b>	 JCBB SCREW M8 X 20	8PCS
<b>B</b>	 JCBC SCREW M6 X 25	8PCS
<b>C</b>	 JCBC SCREW M6 X 35	20PCS
<b>D</b>	 JCBC SCREW M6 X 70	2PCS
<b>E</b>	 WOOD DOWEL	2PCS
<b>F</b>	 SPRING WASHER	20PCS
<b>G</b>	 FLAT WASHER	20PCS
<b>H</b>	 SCREW M4 X 32mm	8PCS
<b>I</b>	 L - KEY M5 X 65mm	1PC
<b>J</b>	 L - KEY M4 X 65mm	1PC

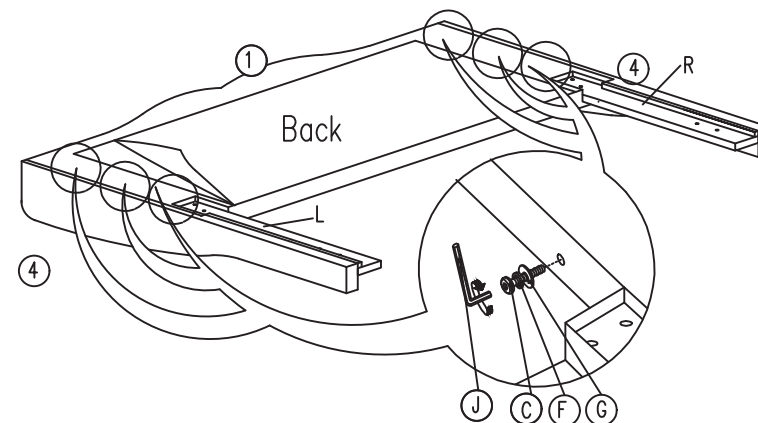
## STEP 1

Begin assembly by attaching each headboard leg (2) & (3) to the bottom of headboard cushion (1) by aligning the hole and securing with 3 Allen bolts (C), 3 spring washer (F), 3 flat washer (G) per leg using L-key (J).



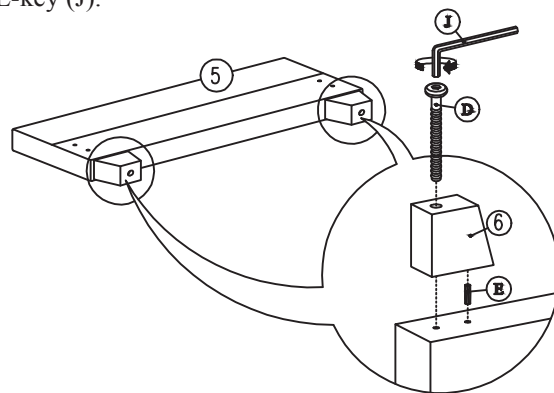
## STEP 2

Attaching each wing (4) to each side of headboard cushion (1) by aligning the hole and securing with 3 Allen bolts (C), 3 spring washer (F), 3 flat washer (G) per side using L-key (J).



## STEP 3

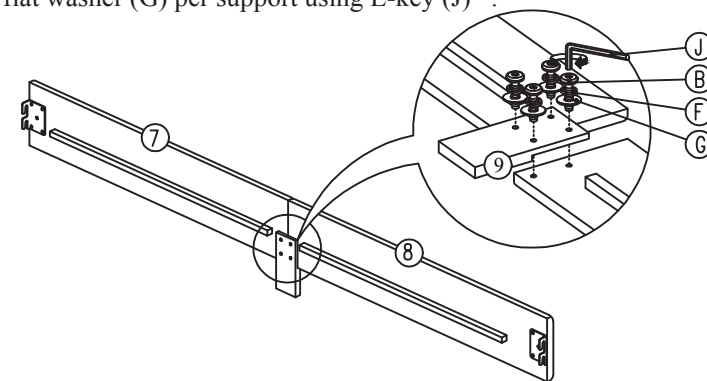
Attach each footboard leg (6) to the bottom of the footboard cushion (5) by inserting a dowel (E) & securing with 1 Allen bolt (D) per leg using L-key (J).



Do not fully tighten screws until assembly is complete and the bed is level

## STEP 4

Attach the side rail support leg (9) to the join of the side rail (7) & side rail (8) by securing with 4 Allen bolts (B), 4 spring washer (F), 4 flat washer (G) per support using L-key (J).

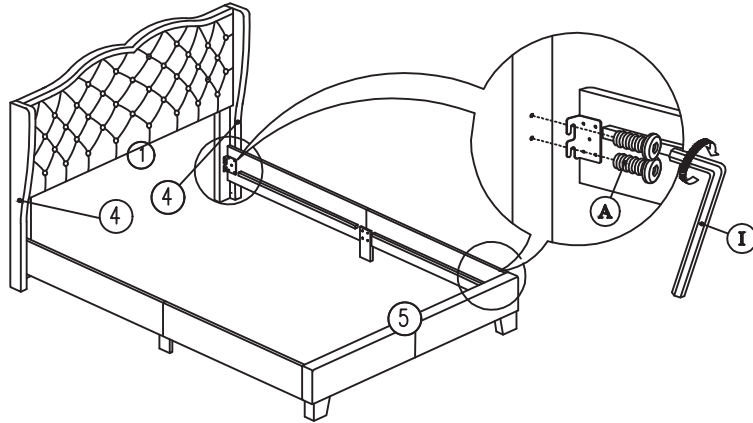


Do not fully tighten screws until assembly is complete and the bed is level

# ASSEMBLY INSTRUCTION

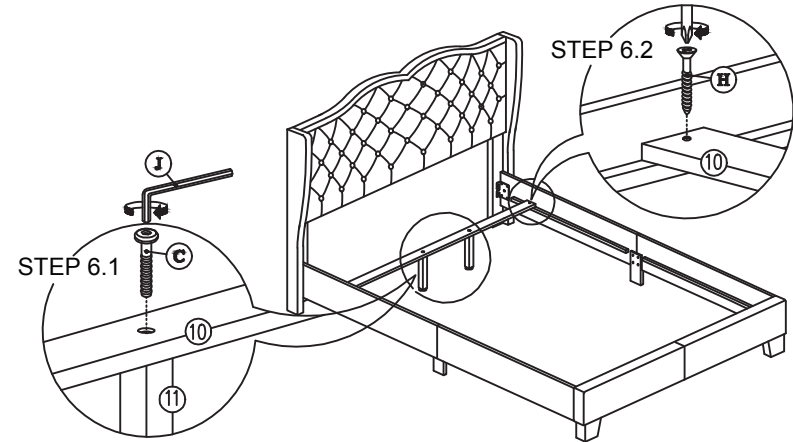
## STEP 5

Attach side rail to the headboard leg (2) & (3) & Footboard (5). Aligning holes and securing with 2 Allen bolts (A) per each and using L-key (I). Do not fully tighten bolts for this step.

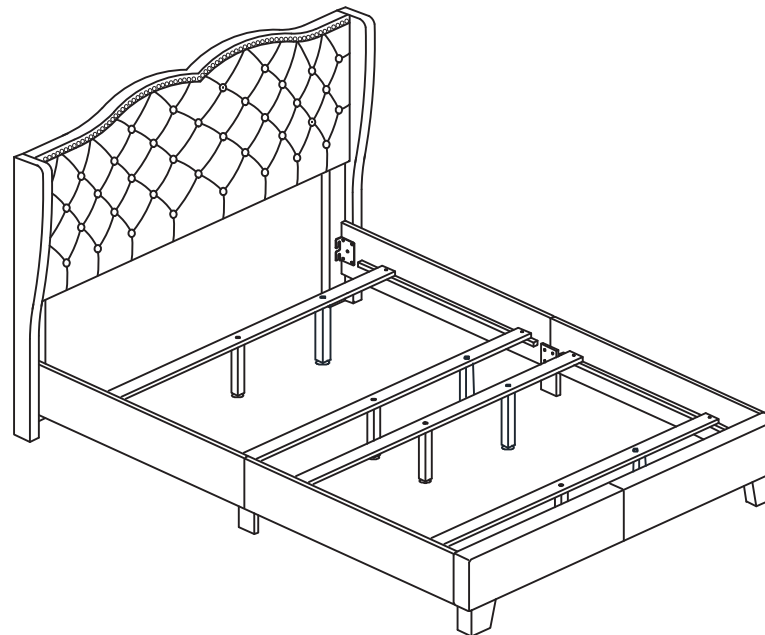


## STEP 6

Attach support legs (11) to slat (10) by securing with 1 Allen bolt (C) per support leg (2 support legs (11) per slat (10) as shown). Attach slat (10) to side rail by securing with 1 screw (H) per each side. Tighten all screws using philips head screw driver (NOT INCLUDED). Tighten all bolts on step 3 & 4 using L-key (J) & tighten bolts on step 5 using L-key (I).



## STEP 7



**ASSEMBLY  
COMPLETED**

NOTE : AFTER A FEW DAYS OF ASSEMBLY, IT WILL HAVE ACCLIMATIZED TO THE ENVIRONMENT. PLEASE TIGHTEN ALL HARDWARE. CHECK TIGHTNESS OF ALL SCREWS EVERY 6 - 8 WEEKS.