
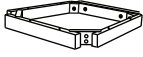










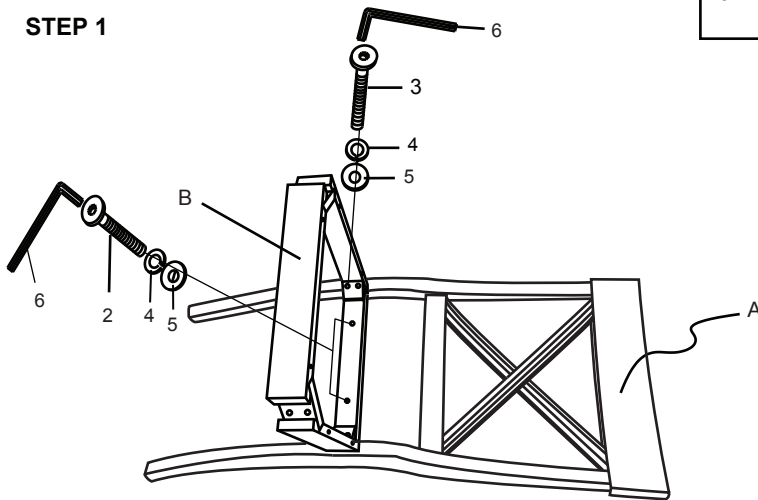
Assembly Instruction

X BACK SIDE CHAIR WITH HARDSEAT

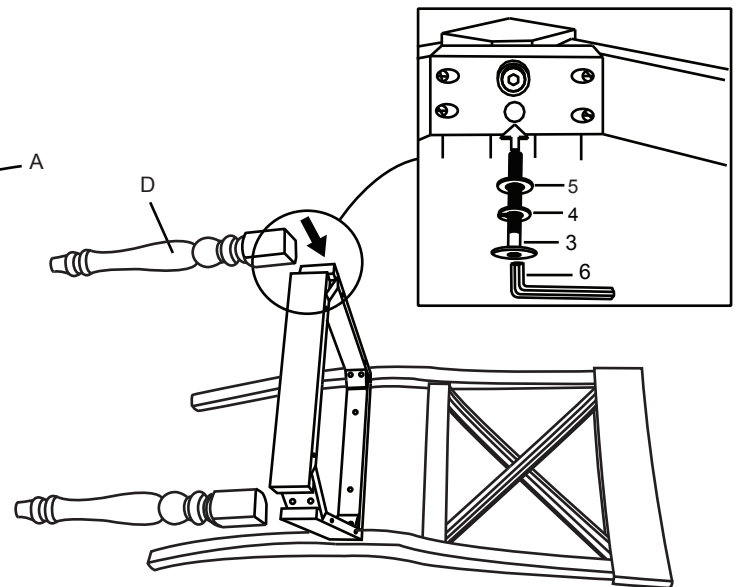
NO	Parts List		Q'TY
A		Chair Back	1
B		Box Seat	1
C		Hardseat	1
D		Front Leg	2

NO	Hardware List		Q'TY
1		Wood Screw	6
2		JCBC Bolt Short	2
3		JCBC Bolt Long	8
4		Lock Washer	10
5		Flat Washer	10
6		Allen Key	1

STEP 1



STEP 2



STEP 3

