
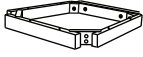










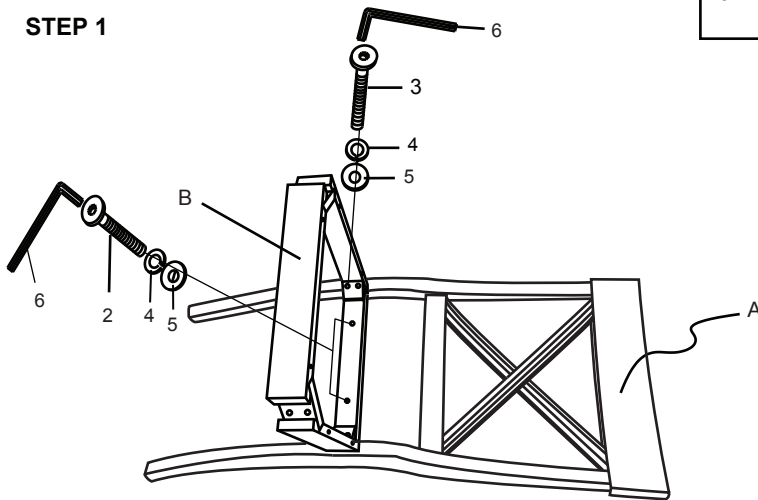
Assembly Instruction

X BACK SIDE CHAIR WITH HARDSEAT

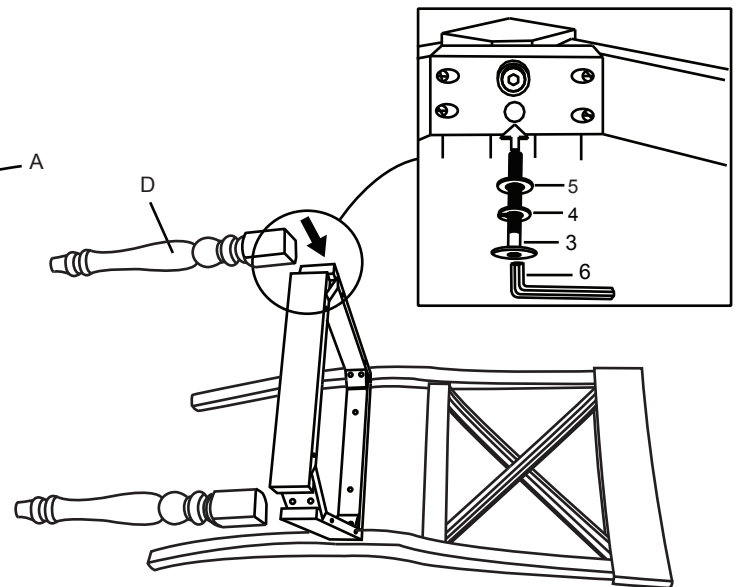
| NO | Parts List | | Q'TY |
|----|---|------------|------|
| A |  | Chair Back | 1 |
| B |  | Box Seat | 1 |
| C |  | Hardseat | 1 |
| D |  | Front Leg | 2 |

| NO | Hardware List | | Q'TY |
|----|---|-----------------|------|
| 1 |  | Wood Screw | 6 |
| 2 |  | JCBC Bolt Short | 2 |
| 3 |  | JCBC Bolt Long | 8 |
| 4 |  | Lock Washer | 10 |
| 5 |  | Flat Washer | 10 |
| 6 |  | Allen Key | 1 |

STEP 1



STEP 2



STEP 3

