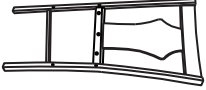
















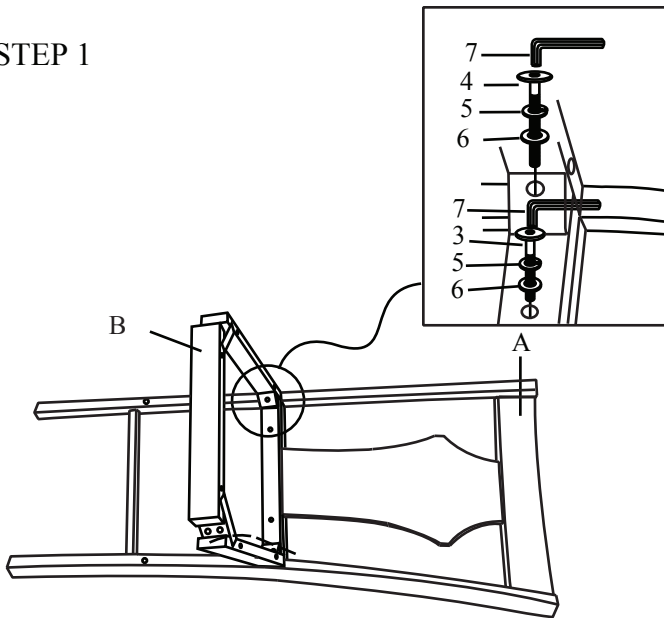
Assembly Instruction

WHEELBACK C.HGT CHAIR WITH CUSHION

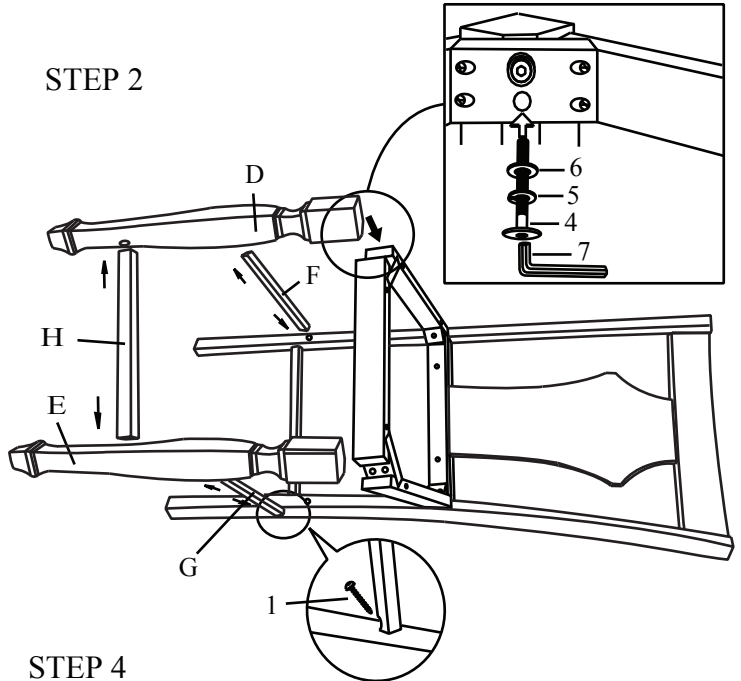
NO	Parts List		Q'TY
A		Chair Back	1 Pc
B		Seat Box	1 Pc
C		Cushion Seat	1 Pc
D		Left Front Leg	1 Pc
E		Right Front Leg	1 Pc
F		Left Side Stretcher	1 Pc
G		Right Side Stretcher	1 Pc
H		Front Stretcher	1 Pc

NO	Hardware List		Q'TY
1		Pan Head Screw	6 pcs
2		Wood Screw	6 pcs
3		Short Bolt	2 pcs
4		Long Bolt	6 pcs
5		Lock Washer	8 pcs
6		Flat Washer	8 pcs
7		Allen Wrench	1 Pc

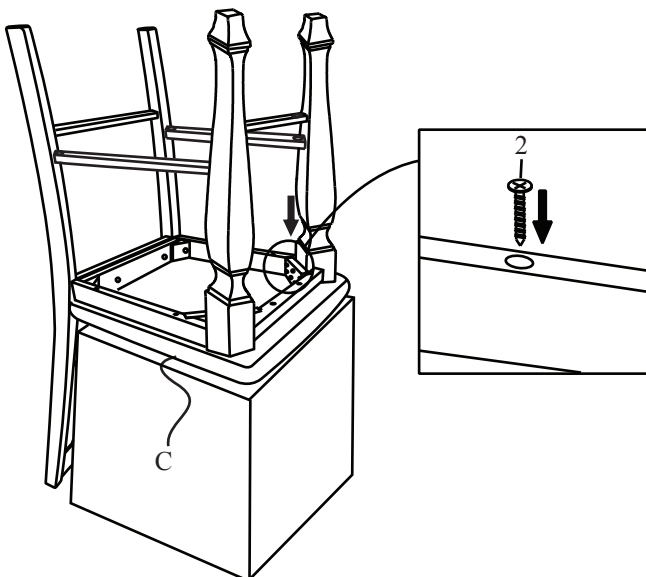
STEP 1



STEP 2



STEP 3



STEP 4

